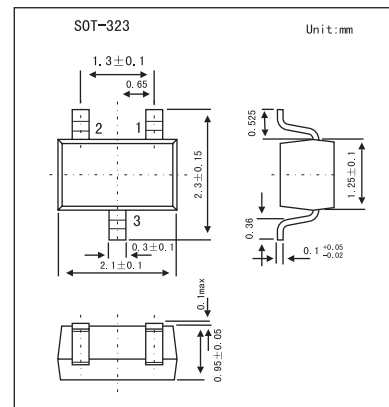


Shottky barrier diode

RB715F

■ Features

- Small mold type. (UMD3)
- High reliability.

■ Absolute Maximum Ratings $T_a = 25^\circ\text{C}$

Parameter	Symbol	Limits	Unit
Reverse voltage (repetitive peak)	V_{RM}	40	V
Reverse voltage (DC)	V_R	40	V
Average rectified forward current	I_o	30	mA
Forward current surge peak (60Hz ·1cyc) *	I_{FSM}	200	mA
Junction temperature	T_j	125	$^\circ\text{C}$
Storage temperature	T_{stg}	-40 to +125	$^\circ\text{C}$

* Rating of per diode

■ Electrical Characteristics $T_a = 25^\circ\text{C}$

Parameter	Symbol	Conditions	Min	Typ	Max	Unit
Forward voltage	V_F	$I_F = 1\text{ mA}$			0.37	V
Reverse current	I_R	$V_R = 10\text{ V}$			1	$\mu\text{ A}$
Capacitance between terminals	C_t	$V_R = 1\text{ V}, f = 1\text{ MHz}$		2.0		pF

■ Marking

Marking	3D
---------	----