

HD74ALVC16835

18-bit Universal Bus Driver with 3-state Outputs

REJ03D0053-0700
 (Previous: ADE-205-192E)
 Rev.7.00
 Apr 07, 2006

Description

The HD74ALVC16835 is an 18-bit universal bus driver designed for 2.3 V to 3.6 V V_{CC} operation.

Data flow from A to Y is controlled by output enable (\overline{OE}). The device operates in the transparent mode when the latch enable (LE) input is high. The A data is latched if the clock (CLK) input is held at a high or low logic level. If LE is low, the A data is stored in the latch/flip flop on the low to high transition of the CLK. When \overline{OE} is high, the outputs are in the high impedance state.

To ensure the high impedance state during power up or power down, \overline{OE} should be tied to V_{CC} through a pullup register; the minimum value of the register is determined by the current sinking capability of the driver.

Features

- Meets “PC SDRAM registered DIMM design support document, Rev. 1.2”
- $V_{CC} = 2.3\text{ V to }3.6\text{ V}$
- Typical V_{OL} ground bounce $< 0.8\text{ V}$ (@ $V_{CC} = 3.3\text{ V}$, $T_a = 25^\circ\text{C}$)
- Typical V_{OL} ground bounce $< 0.8\text{ V}$ (@ $V_{CC} = 3.3\text{ V}$, $T_a = 25^\circ\text{C}$)
- High output current $\pm 24\text{ mA}$ (@ $V_{CC} = 3.0\text{ V}$)
- Ordering Information

Part Name	Package Type	Package Code (Previous code)	Package Abbreviation	Taping Abbreviation (Quantity)
HD74ALVC16835TEL	TSSOP-56 pin	PTSP0056KA-A (TTP-56DAV)	T	EL (1,000 pcs / Reel)

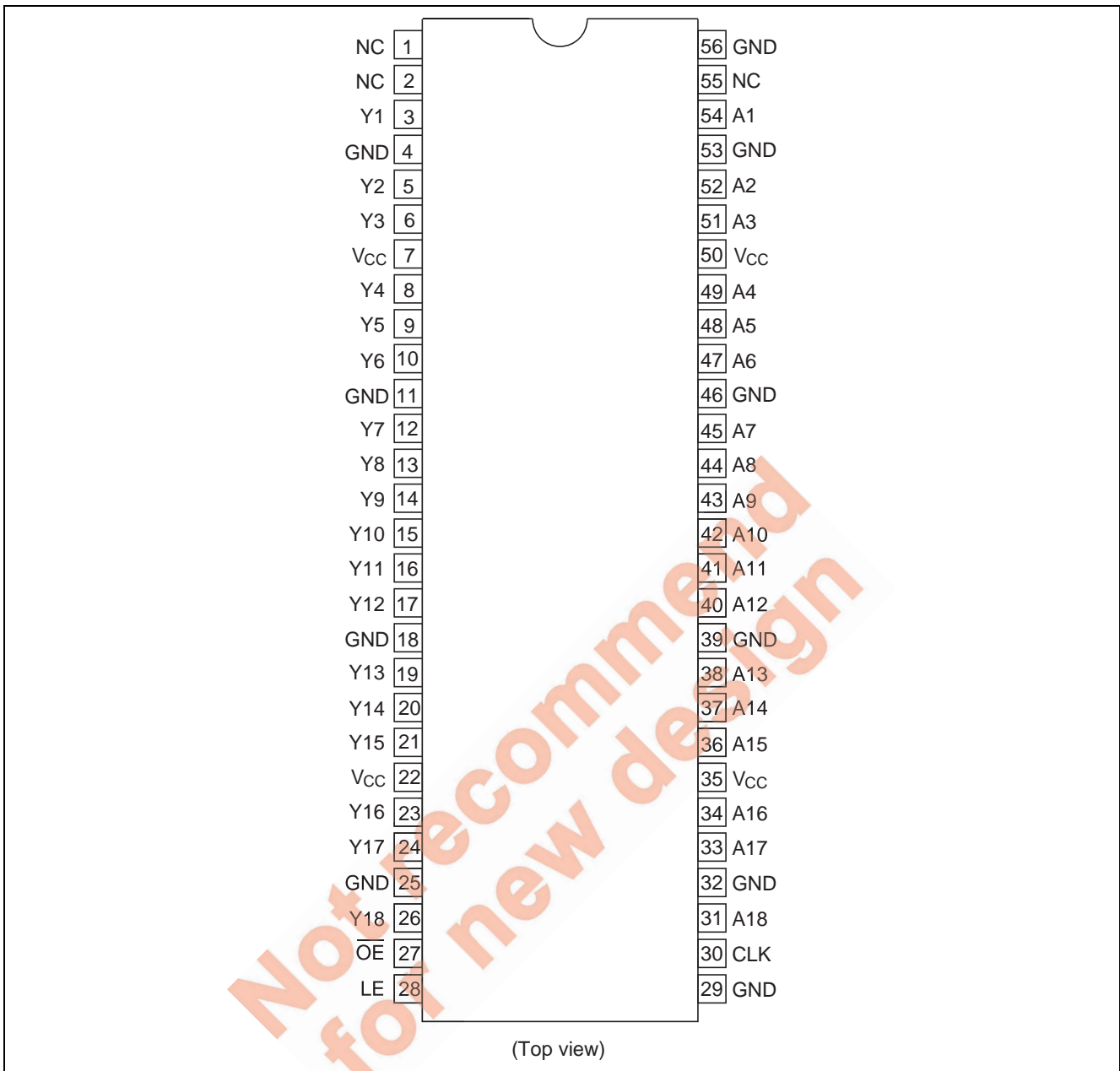
Function Table

\overline{OE}	Inputs			Output Y
	LE	CLK	A	
H	X	X	X	Z
L	H	X	L	L
L	H	X	H	H
L	L	\uparrow	L	L
L	L	\uparrow	H	H
L	L	H	X	Y_0^{*1}
L	L	L	X	Y_0^{*2}

H: High level
 L: Low level
 X: Immaterial
 Z: High impedance
 \uparrow : Low to high transition

Notes: 1. Output level before the indicated steady-state input conditions were established, provided that CLK was high before LE went low.
 2. Output level before the indicated steady-state input conditions were established.

Pin Arrangement



Absolute Maximum Ratings

Item	Symbol	Ratings	Unit	Conditions
Supply voltage range	V_{CC}	-0.5 to 4.6	V	
Input voltage range ^{*1}	V_I	-0.5 to 4.6	V	
Output voltage range ^{*1, 2}	V_O	-0.5 to $V_{CC}+0.5$	V	
Input clamp current	I_{IK}	-50	mA	$V_I < 0$
Output clamp current	I_{OK}	± 50	mA	$V_O < 0$ or $V_O > V_{CC}$
Continuous output current	I_O	± 50	mA	$V_O = 0$ to V_{CC}
V_{CC} , GND current / pin	I_{CC} or I_{GND}	± 100	mA	
Maximum power dissipation at $T_a = 55^\circ\text{C}$ (in still air) ^{*3}	P_T	1	W	TSSOP
Storage temperature range	T_{stg}	-65 to 150	$^\circ\text{C}$	

Notes: Stresses beyond those listed under "absolute maximum ratings" may cause permanent damage to the device.

These are stress ratings only, and functional operation of the device at these or any other conditions beyond those indicated under "recommended operating condition" is not implied. Exposure to absolute-maximum-rated conditions for extended periods may affect device reliability.

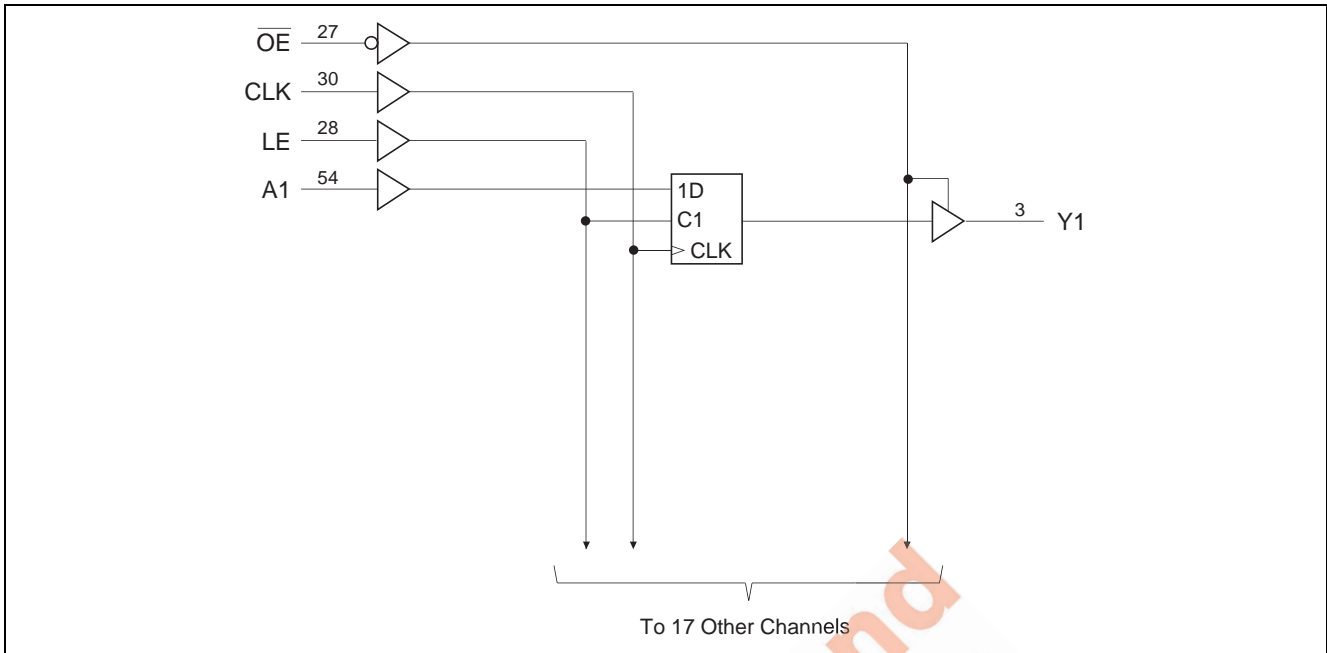
1. The input and output negative-voltage ratings may be exceeded if the input and output clamp current ratings are observed.
2. The input and output positive-voltage ratings may be exceeded up to 4.6 V if the input and output clamp-current ratings are observed.
3. The maximum power dissipation is calculated using a junction temperature of 150°C and board trace length of 750 mils.

Recommended Operating Conditions

Item	Symbol	Min	Max	Unit	Conditions
Supply voltage	V_{CC}	2.3	3.6	V	
Input voltage	V_I	0	V_{CC}	V	
Output voltage	V_O	0	V_{CC}	V	
High-level output current	I_{OH}	—	-12	mA	$V_{CC} = 2.3\text{ V}$
		—	-12		$V_{CC} = 2.7\text{ V}$
		—	-24		$V_{CC} = 3.0\text{ V}$
Low-level output current	I_{OL}	—	12	mA	$V_{CC} = 2.3\text{ V}$
		—	12		$V_{CC} = 2.7\text{ V}$
		—	24		$V_{CC} = 3.0\text{ V}$
Input transition rise or fall rate	$\Delta t/\Delta v$	0	10	ns/V	
Operating free-air temperature	T_a	-40	85	$^\circ\text{C}$	

Note: Unused or floating control pins must be held high or low.

Logic Diagram



Electrical Characteristics

($T_a = -40$ to 85°C)

Item	Symbol	V_{CC} (V)	Min	Max	Unit	Test Conditions
Input voltage	V_{IH}	2.3 to 2.7	1.7	—	V	
		2.7 to 3.6	2.0	—		
	V_{IL}	2.3 to 2.7	—	0.7	V	
		2.7 to 3.6	—	0.8		
Output voltage	V_{OH}	2.3 to 3.6	$V_{CC}-0.2$	—	V	$I_{OH} = -100 \mu\text{A}$
		2.3	2.0	—		$I_{OH} = -6 \text{ mA}, V_{IH} = 1.7 \text{ V}$
		2.3	1.7	—		$I_{OH} = -12 \text{ mA}, V_{IH} = 1.7 \text{ V}$
		2.7	2.2	—		$I_{OH} = -12 \text{ mA}, V_{IH} = 2.0 \text{ V}$
		3.0	2.4	—		$I_{OH} = -12 \text{ mA}, V_{IH} = 2.0 \text{ V}$
		3.0	2.0	—		$I_{OH} = -24 \text{ mA}, V_{IH} = 2.0 \text{ V}$
	V_{OL}	2.3 to 3.6	—	0.2	V	$I_{OL} = 100 \mu\text{A}$
		2.3	—	0.4		$I_{OL} = 6 \text{ mA}, V_{IL} = 0.7 \text{ V}$
		2.3	—	0.7		$I_{OL} = 12 \text{ mA}, V_{IL} = 0.7 \text{ V}$
		2.7	—	0.4		$I_{OL} = 12 \text{ mA}, V_{IL} = 0.8 \text{ V}$
		3.0	—	0.55		$I_{OL} = 24 \text{ mA}, V_{IL} = 0.8 \text{ V}$
Input current	I_{IN}	3.6	—	± 5.0	μA	$V_{IN} = V_{CC}$ or GND
Off state output current	I_{OZ}	3.6	—	± 10	μA	$V_{OUT} = V_{CC}$ or GND
Quiescent supply current	I_{CC}	3.6	—	40	μA	$V_{IN} = V_{CC}$ or GND
	ΔI_{CC}	3.0 to 3.6	—	750	μA	One input at $(V_{CC}-0.6)\text{V}$, other inputs at V_{CC} or GND

Switching Characteristics

(Ta = -40 to 85°C)

Item	Symbol	V _{CC} (V)	Min	Typ	Max	Unit	From (Input)	To (Output)	
Maximum clock frequency	f _{max}	2.5±0.2	150	—	—	MHz			
		2.7	150	—	—				
		3.3±0.3	150	—	—				
Propagation delay time	t _{PLH}	2.5±0.2	1.0	—	4.2	ns	A	Y	
		2.7	—	—	4.2				
		3.3±0.3	1.0	—	3.6				
	t _{PHL}	2.5±0.2	1.3	—	5.0		LE	Y	
		2.7	—	—	4.9				
		3.3±0.3	1.3	—	4.2				
			2.5±0.2	1.4	—		5.5	CLK	Y
			2.7	—	—		5.2		
			3.3±0.3	1.4	—		4.5		
Output enable time	t _{ZH} t _{ZL}	2.5±0.2	1.4	—	5.5	ns	OE	Y	
		2.7	—	—	5.6				
		3.3±0.3	1.1	—	4.6				
Output disable time	t _{HZ} t _{LZ}	2.5±0.2	1.0	—	4.5	ns	OE	Y	
		2.7	—	—	4.3				
		3.3±0.3	1.3	—	3.9				
Input capacitance	C _{IN}	3.3	3.0	4.5	7.0	pF	Control inputs		
		3.3	3.0	6.0	9.0		Data inputs		
Output capacitance	C _O	3.3	3.0	7.0	9.0	pF	Y ports		
Setup time	t _{su}	2.5±0.2	2.2	—	—	ns	Data before CLK↑		
		2.7	2.1	—	—				
		3.3±0.3	1.7	—	—				
		2.5±0.2	1.9	—	—		Data before LE↓		
		2.7	1.6	—	—		CLK "H"		
		3.3±0.3	1.5	—	—				
		2.5±0.2	1.3	—	—		Data before LE↓		
		2.7	1.1	—	—		CLK "L"		
Hold time	t _h	2.5±0.2	0.6	—	—	ns	Data after CLK↑		
		2.7	0.6	—	—				
		3.3±0.3	0.7	—	—				
		2.5±0.2	1.4	—	—		Data after LE↓		
		2.7	1.7	—	—		CLK "H" or "L"		
Pulse width	t _w	2.5±0.2	3.3	—	—	ns	LE "H"		
		2.7	3.3	—	—				
		3.3±0.3	3.3	—	—				
		2.5±0.2	3.3	—	—		CLK "H" or "L"		
		2.7	3.3	—	—				
		3.3±0.3	3.3	—	—				

Switching Characteristics (cont.)

(Ta = 0 to 85°C)

Item	Symbol	V _{CC} (V)	Min	Typ	Max	Unit	FROM (Input)	TO (Output)					
Propagation delay time	C _L =0pF ^{*1}	3.3±0.165	0.9	—	2.0	ns	A	Y					
									C _L =50pF	3.3±0.165	1.0	—	4.5
									C _L =0pF ^{*1}	3.3±0.165	1.5	—	3.0
									C _L =50pF	3.3±0.165	1.7	—	4.5
	C _L =50pF	t _{SSO} ^{*1,2}	3.3±0.165	1.7	—	4.8	CLK, A	Y					
Output rise / fall time	C _L =50pF	t _{TLH} , t _{THL} ^{*1}	3.3±0.165	1.0	—	2.5	volts/ ns	Y					

Notes: 1. This parameter is characterized but not tested.
 2. t_{SSO} : Simultaneous switching output time.

Operating Characteristics

(Ta = 25°C)

Item	Symbol	V _{CC} = 2.5±0.2 V	V _{CC} = 3.3±0.3 V	Unit	Test Conditions	
		Typ	Typ			
Power dissipation capacitance	Outputs enable	C _{pd}	22.0	24.5	pF	C _L = 0, f = 10 MHz
	Outputs disable		5.0	6.0		

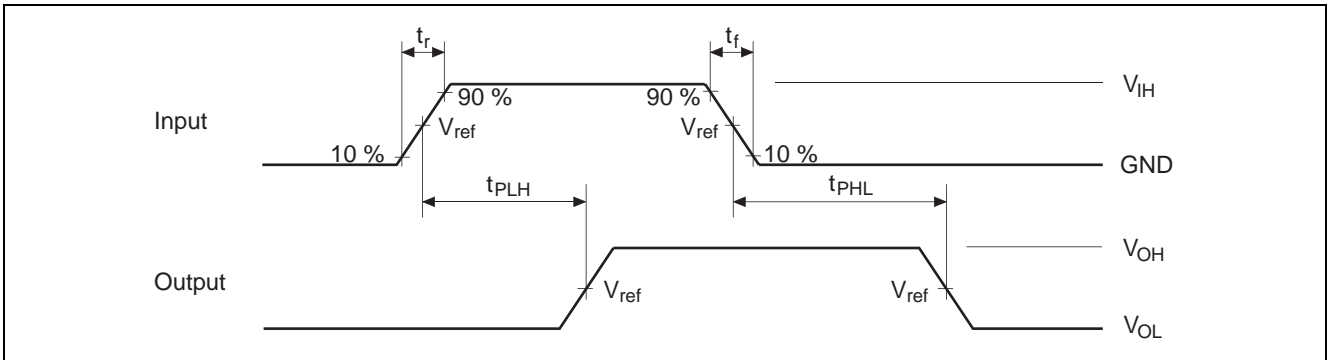
Test Circuit

Load Circuit for Outputs

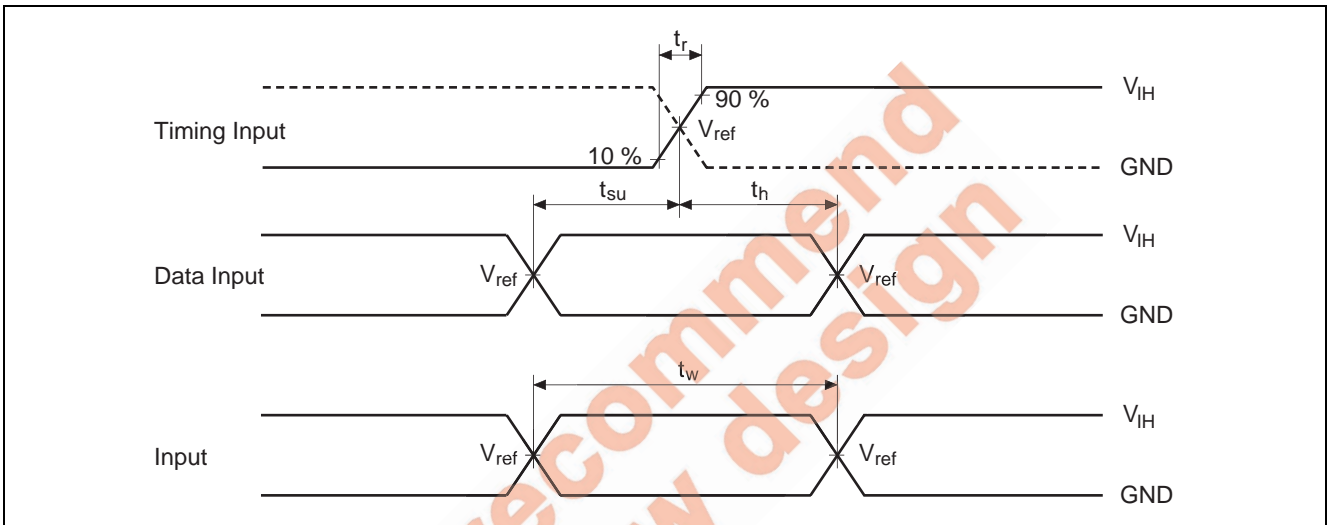
Symbol	V _{CC} =2.5±0.2V	V _{CC} =2.7V, 3.3±0.3V ¹
t _{PLH} /t _{PHL}	OPEN	OPEN
t _{su} /t _h /t _w	GND	GND
t _{ZL} /t _{LZ}	2 × V _{CC}	6.0 V
C _L	30 pF	50 pF

Note: 1. C_L includes probe and jig capacitance.

Waveforms – 1

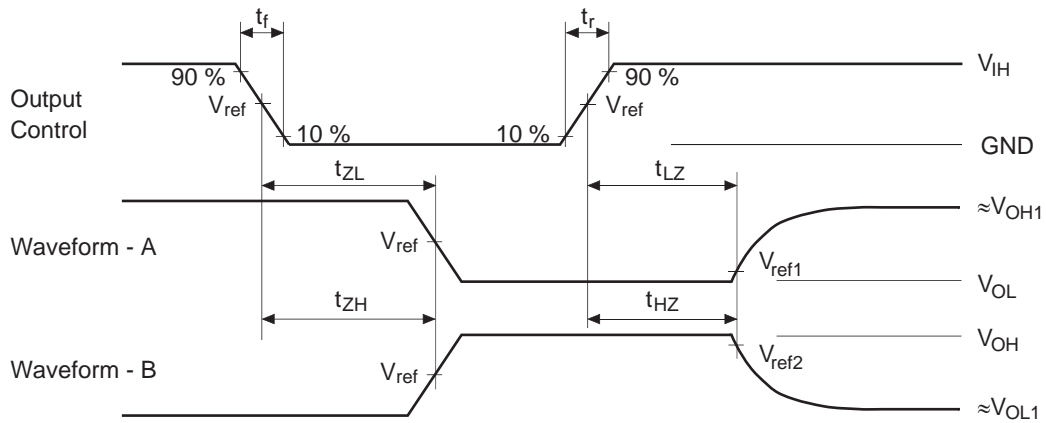


Waveforms – 2



Not recommended for new design

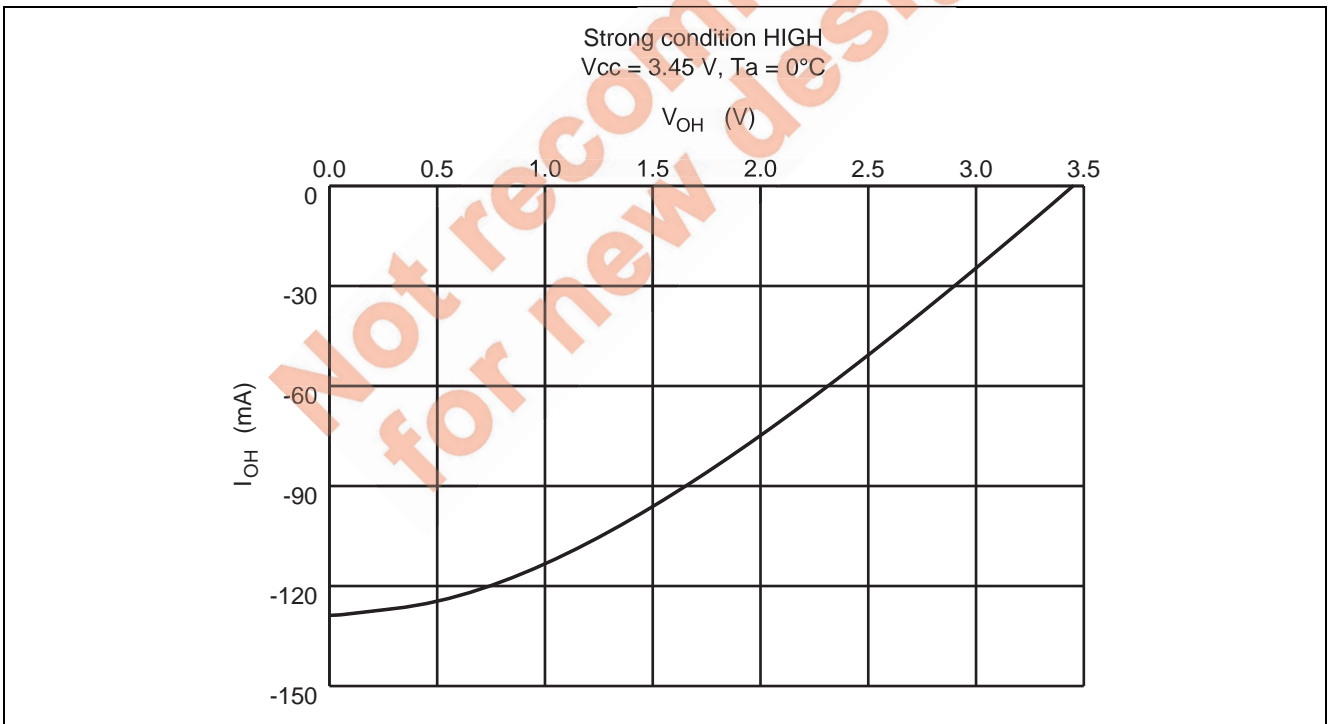
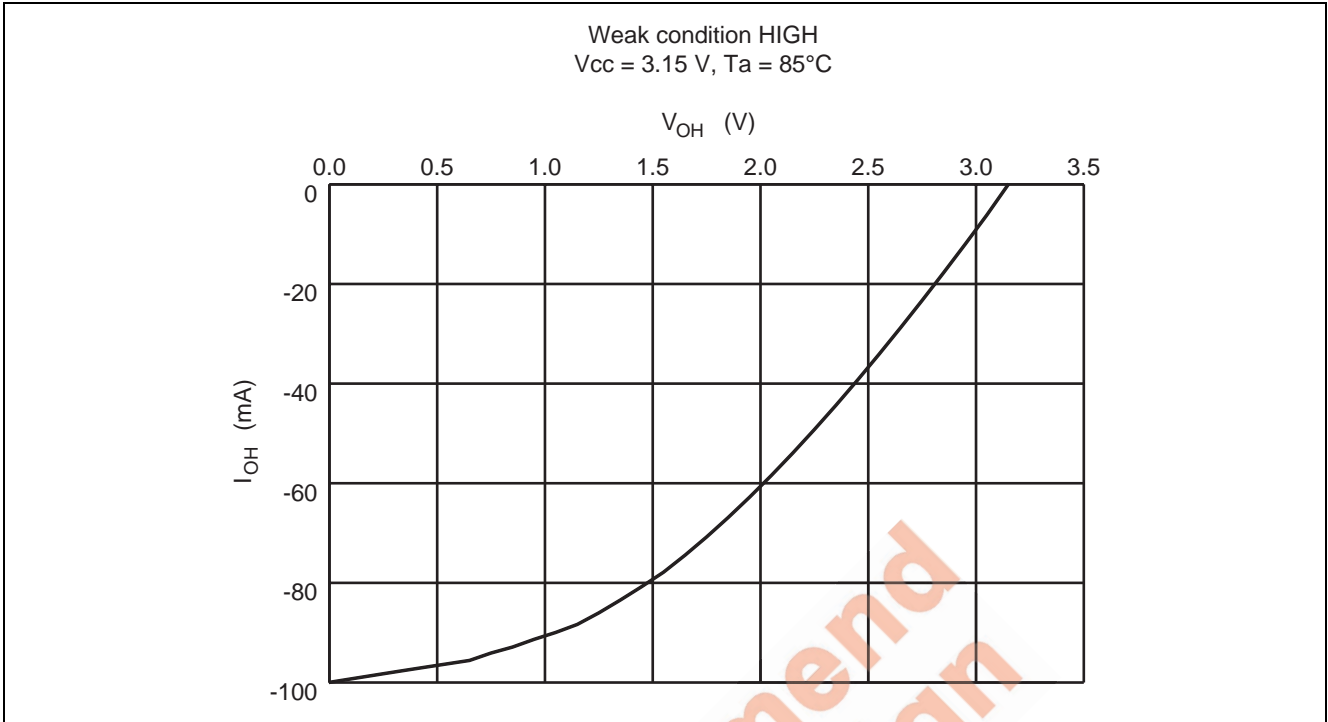
Waveforms – 3

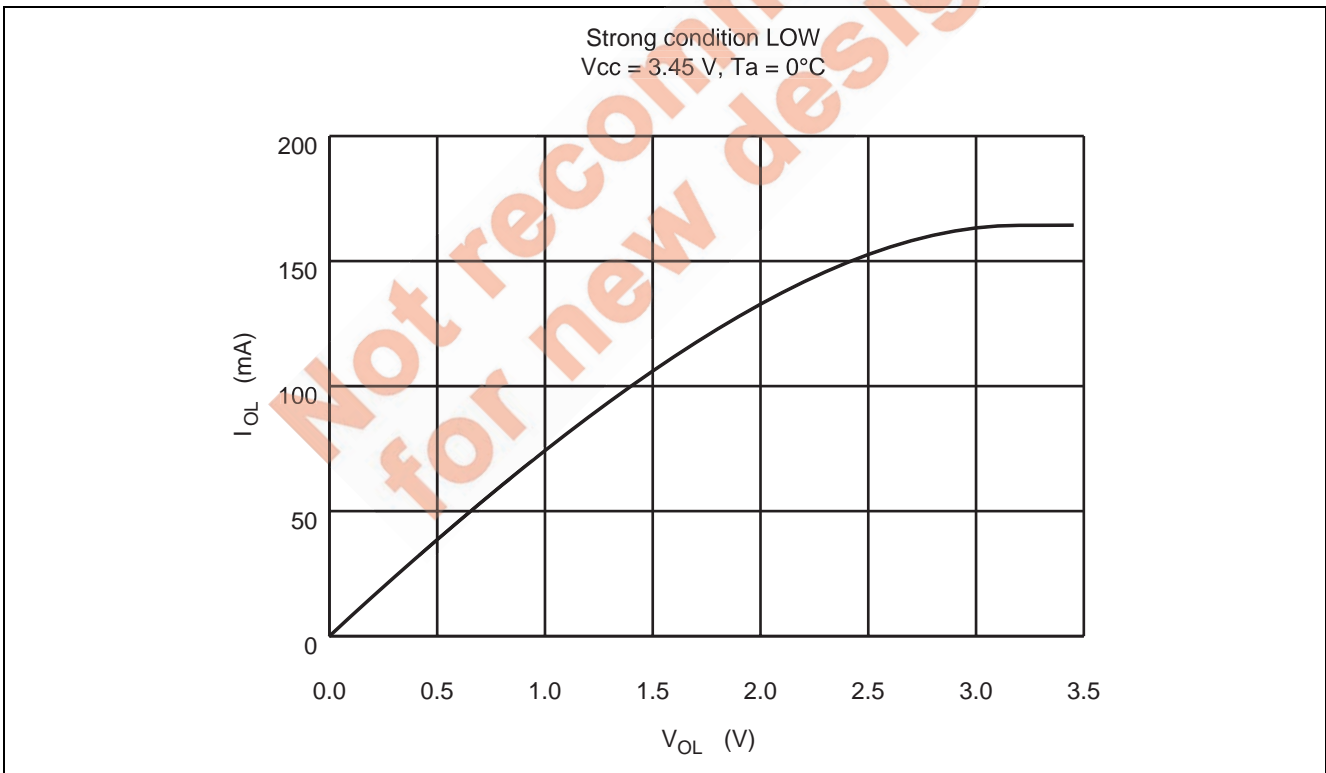
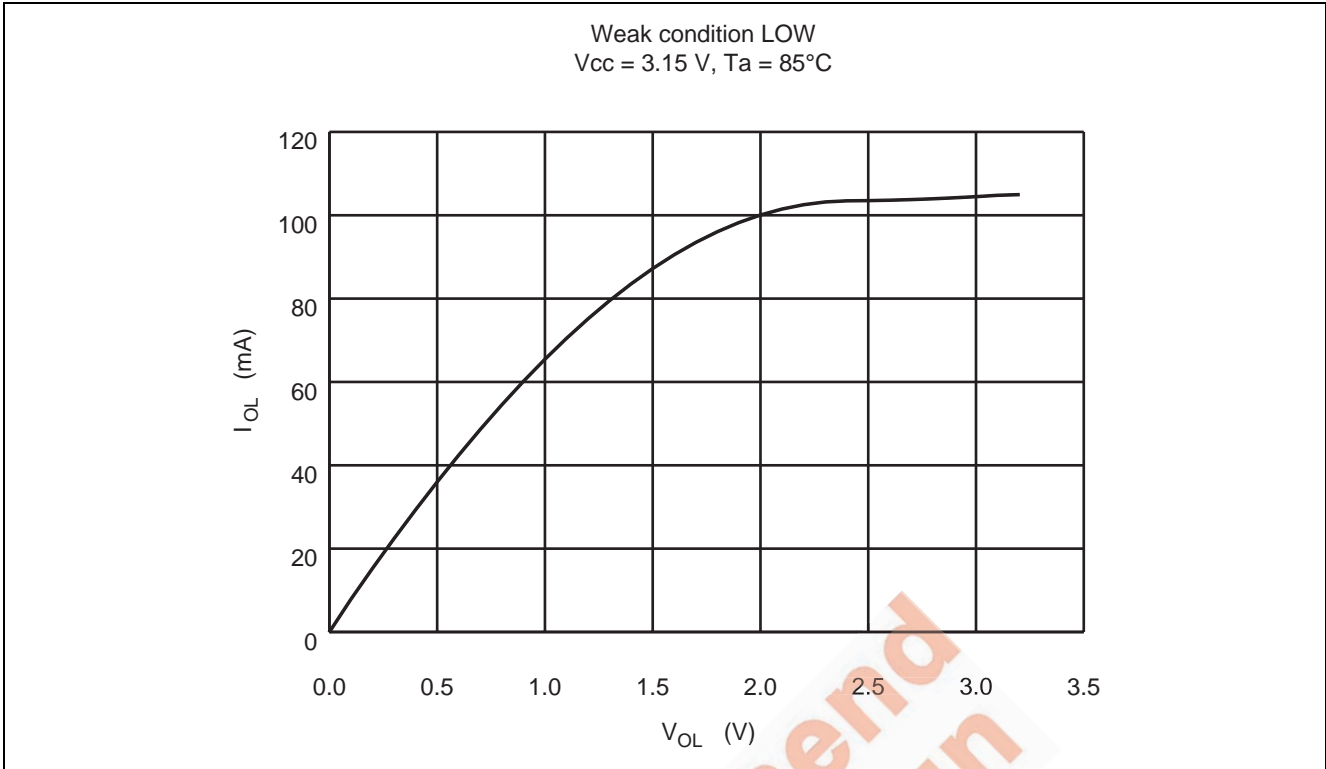


TEST	V _{CC} =2.5±0.2V	V _{CC} =2.7V, 3.3±0.3V
V _{IH}	V _{CC}	2.7 V
V _{ref}	1/2 V _{CC}	1.5 V
V _{ref1}	V _{OL} +0.15 V	V _{OL} +0.3 V
V _{ref2}	V _{OH} -0.15 V	V _{OH} -0.3 V
V _{OH1}	V _{CC}	3.0 V
V _{OL1}	GND	GND

- Notes:
1. All input pulses are supplied by generators having the following characteristics :
 PRR ≤ 10 MHz, Z_o = 50 Ω, t_r ≤ 2.0 ns, t_f ≤ 2.0 ns. (V_{CC} = 2.5±0.2 V)
 PRR ≤ 10 MHz, Z_o = 50 Ω, t_r ≤ 2.5 ns, t_f ≤ 2.5 ns. (V_{CC} = 2.7 V, 3.3±0.3 V)
 2. Waveform-A is for an output with internal conditions such that the output is low except when disabled by the output control.
 3. Waveform-B is for an output with internal conditions such that the output is high except when disabled by the output control.
 4. The outputs are measured one at a time with one transition per measurement.

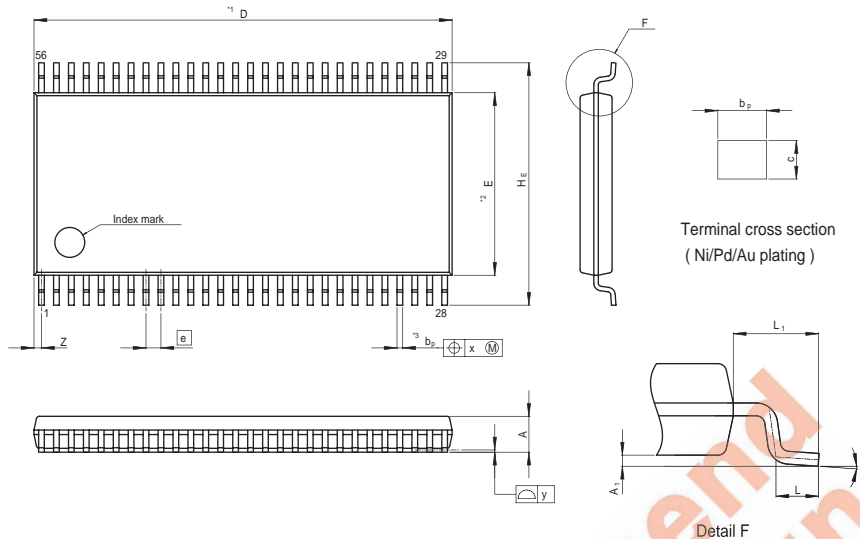
IV Characteristics for Register Output (Measured value)





Package Dimensions

JEITA Package Code	RENESAS Code	Previous Code	MASS[Typ.]
P-TSSOP56-6.1x14-0.50	PTSP0056KA-A	TTP-56DAV	0.32g



NOTE)
 1. DIMENSIONS**1 (Nom)**AND**2*
 DO NOT INCLUDE MOLD FLASH.
 2. DIMENSION**3*DOES NOT
 INCLUDE TRIM OFFSET.

Reference Symbol	Dimension in Millimeters		
	Min	Nom	Max
D	—	14.0	14.2
E	—	6.10	—
A ₂	—	—	—
A ₁	0.08	0.13	0.18
A	—	—	1.20
b _p	0.14	0.19	0.24
b ₁	—	—	—
c	0.10	0.15	0.20
c ₁	—	—	—
θ	0°	—	8°
H _E	7.90	8.10	8.30
e	—	0.50	—
x	—	—	0.08
y	—	—	0.10
Z	—	—	0.65
L	0.4	0.5	0.6
L ₁	—	1.0	—

Not recommended for new design

Keep safety first in your circuit designs!

1. Renesas Technology Corp. puts the maximum effort into making semiconductor products better and more reliable, but there is always the possibility that trouble may occur with them. Trouble with semiconductors may lead to personal injury, fire or property damage. Remember to give due consideration to safety when making your circuit designs, with appropriate measures such as (i) placement of substitutive, auxiliary circuits, (ii) use of nonflammable material or (iii) prevention against any malfunction or mishap.

Notes regarding these materials

1. These materials are intended as a reference to assist our customers in the selection of the Renesas Technology Corp. product best suited to the customer's application; they do not convey any license under any intellectual property rights, or any other rights, belonging to Renesas Technology Corp. or a third party.
 2. Renesas Technology Corp. assumes no responsibility for any damage, or infringement of any third-party's rights, originating in the use of any product data, diagrams, charts, programs, algorithms, or circuit application examples contained in these materials.
 3. All information contained in these materials, including product data, diagrams, charts, programs and algorithms represents information on products at the time of publication of these materials, and are subject to change by Renesas Technology Corp. without notice due to product improvements or other reasons. It is therefore recommended that customers contact Renesas Technology Corp. or an authorized Renesas Technology Corp. product distributor for the latest product information before purchasing a product listed herein.
The information described here may contain technical inaccuracies or typographical errors.
Renesas Technology Corp. assumes no responsibility for any damage, liability, or other loss rising from these inaccuracies or errors.
Please also pay attention to information published by Renesas Technology Corp. by various means, including the Renesas Technology Corp. Semiconductor home page (<http://www.renesas.com>).
 4. When using any or all of the information contained in these materials, including product data, diagrams, charts, programs, and algorithms, please be sure to evaluate all information as a total system before making a final decision on the applicability of the information and products. Renesas Technology Corp. assumes no responsibility for any damage, liability or other loss resulting from the information contained herein.
 5. Renesas Technology Corp. semiconductors are not designed or manufactured for use in a device or system that is used under circumstances in which human life is potentially at stake. Please contact Renesas Technology Corp. or an authorized Renesas Technology Corp. product distributor when considering the use of a product contained herein for any specific purposes, such as apparatus or systems for transportation, vehicular, medical, aerospace, nuclear, or undersea repeater use.
 6. The prior written approval of Renesas Technology Corp. is necessary to reprint or reproduce in whole or in part these materials.
 7. If these products or technologies are subject to the Japanese export control restrictions, they must be exported under a license from the Japanese government and cannot be imported into a country other than the approved destination.
Any diversion or reexport contrary to the export control laws and regulations of Japan and/or the country of destination is prohibited.
 8. Please contact Renesas Technology Corp. for further details on these materials or the products contained therein.
-



RENESAS SALES OFFICES

<http://www.renesas.com>

Refer to "<http://www.renesas.com/en/network>" for the latest and detailed information.

Renesas Technology America, Inc.

450 Holger Way, San Jose, CA 95134-1368, U.S.A
Tel: <1> (408) 382-7500, Fax: <1> (408) 382-7501

Renesas Technology Europe Limited

Dukes Meadow, Millboard Road, Bourne End, Buckinghamshire, SL8 5FH, U.K.
Tel: <44> (1628) 585-100, Fax: <44> (1628) 585-900

Renesas Technology (Shanghai) Co., Ltd.

Unit 204, 205, AZIACenter, No.1233 Lujiazui Ring Rd, Pudong District, Shanghai, China 200120
Tel: <86> (21) 5877-1818, Fax: <86> (21) 6887-7898

Renesas Technology Hong Kong Ltd.

7th Floor, North Tower, World Finance Centre, Harbour City, 1 Canton Road, Tsimshatsui, Kowloon, Hong Kong
Tel: <852> 2265-6688, Fax: <852> 2730-6071

Renesas Technology Taiwan Co., Ltd.

10th Floor, No.99, Fushing North Road, Taipei, Taiwan
Tel: <886> (2) 2715-2888, Fax: <886> (2) 2713-2999

Renesas Technology Singapore Pte. Ltd.

1 Harbour Front Avenue, #06-10, Keppel Bay Tower, Singapore 098632
Tel: <65> 6213-0200, Fax: <65> 6278-8001

Renesas Technology Korea Co., Ltd.

Kukje Center Bldg. 18th Fl., 191, 2-ka, Hangang-ro, Yongsan-ku, Seoul 140-702, Korea
Tel: <82> (2) 796-3115, Fax: <82> (2) 796-2145

Renesas Technology Malaysia Sdn. Bhd

Unit 906, Block B, Menara Amcorp, Amcorp Trade Centre, No.18, Jalan Persiaran Barat, 46050 Petaling Jaya, Selangor Darul Ehsan, Malaysia
Tel: <603> 7955-9390, Fax: <603> 7955-9510