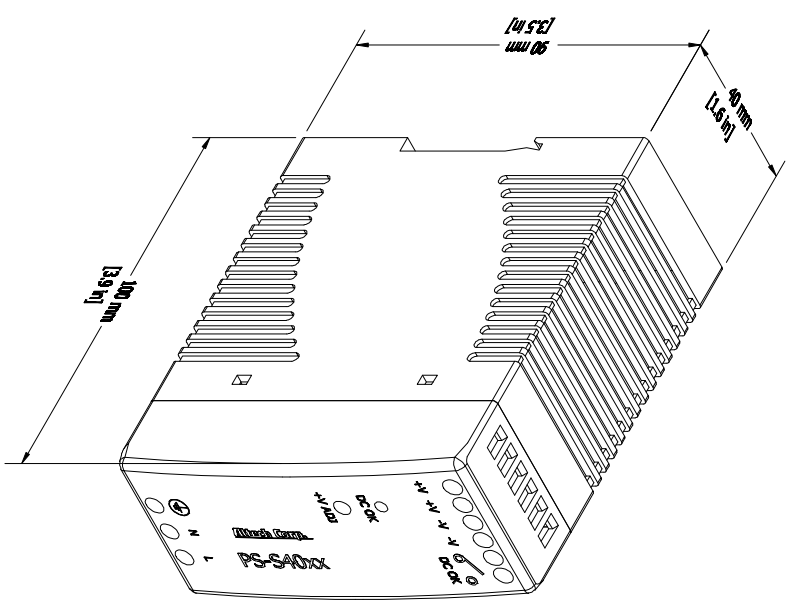
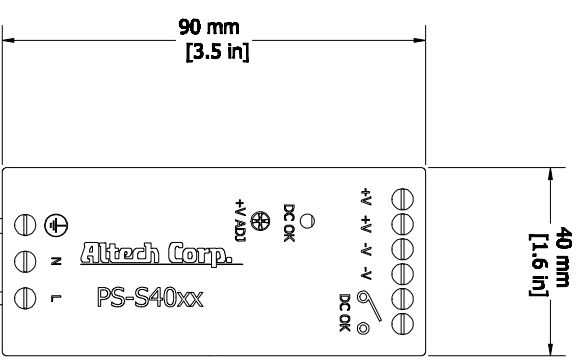
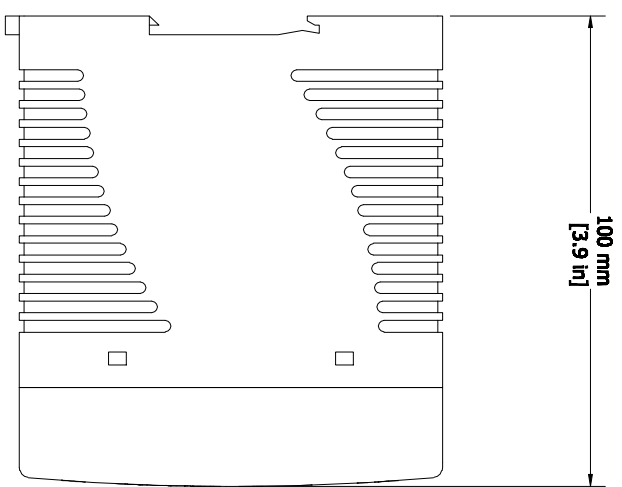
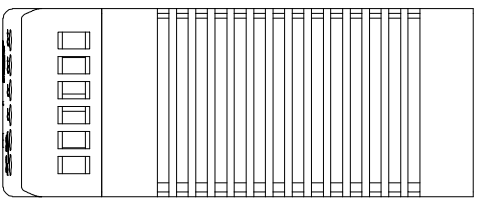


REVISIONS FOR DWG # 20-PSS40-PSS40				
REV	CH.N.O.	DESCRIPTION	DATE	REVISOR BY
-	-	ORIGINAL DESIGN	7/24/07	Phil E.



UNLESS OTHERWISE SPECIFIED
 • ALL DIMENSIONS ARE IN MILLIMETERS
 • THIRD ANGLE PROJECTION

TOLERANCE	Symbol	Value
XX	±	±1mm
XX.X	±	±0.5mm
XX.XX	±	±0.2mm
ALL	∅	- mm

This Drawing is the property of
Attech Corp.
 35 Royal Road
 Flemington NJ 08822-6000
 (908) 806-9400 • Fax (908) 806-9490

AND IS A CONFIDENTIAL DISCLOSURE
 LENT WITHOUT CONSIDERATION OTHER
 THAN THE BORROWER'S AGREEMENT
 THAT IT SHALL NOT BE REPRODUCED,
 COPIED, LENT, OR DISPOSED OF
 DIRECTLY OR INDIRECTLY NOR USED
 FOR ANY PURPOSE OTHER THAN THAT
 FOR WHICH IT IS SPECIFICALLY
 FURNISHED.

TITLE: 40W Single Output Industrial DIN Rail Power Supply PS-S40 Series		DRAWING NO.: 20-PSS40-PSS40		REV.: -
DRAWN BY: Philippe Ernsterberger	7/24/07	SCALE: -	SHEET: 1	OF: 1
CHECKED BY: Laszlo Gyorgypol	7/24/07			
RELEASED BY: Laszlo Gyorgypol	7/24/07			