



April 7, 2004

Errata Document for CY7C632xx / enCoRe™ USB Low-speed USB Peripheral Controller

This document describes the errata for the enCoRe™ USB Low-speed USB Peripheral Controller / CY7C632xx. Details include errata trigger conditions, available workarounds, and silicon revision applicability. This document should be used to compare to the datasheet for this device to fully describe the device functionality. Please contact your local Cypress Sales Representative if you have further questions.

Part Numbers Affected

Part Number	Device Characteristics
CY7C63221	All packages
CY7C63231A	All packages

enCoRe™ USB Low-speed USB Peripheral Controller Qualification Status

Product status: In Production - Qual report: 001406

enCoRe™ USB Low-speed USB Peripheral Controller Errata Summary

The following table defines the errata applicability to available enCoRe™ USB Low-speed USB Peripheral Controller family devices. An "X" indicates that the errata pertains to the selected device.

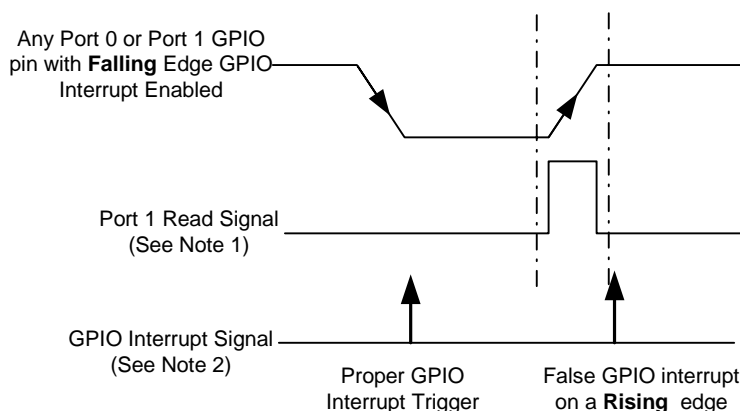
Note: Errata titles are hyperlinked. Click on table entry to jump to description.

Items	CY7C632xx	Rev Letter	Fix Status
1. Faulty GPIO Interrupt	X	A	No silicon fix planned.

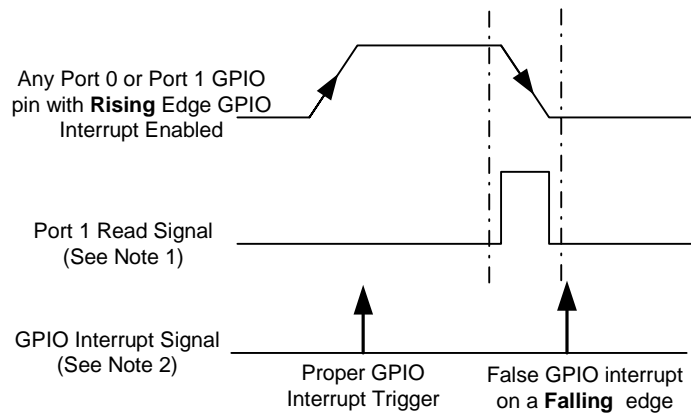
1. Faulty GPIO Interrupt

• PROBLEM DEFINITION

When a falling edge interrupt is enabled for a GPIO pin, reading the GPIO Port 1 coincident to a rising edge of that GPIO signal may generate a false GPIO interrupt.



When a rising edge interrupt is enabled for a GPIO pin, reading the GPIO Port 1 coincident to a falling edge of that GPIO signal may generated a false GPIO interrupt



Note 1: Port 1 Read is an internal signal that is asserted when Port 1 is read with an "IORD 01h" instruction.

Note 2: The GPIO Interrupt signal is an internal signal. The arrow indicates that a GPIO interrupt is triggered.

- **PARAMETERS AFFECTED**

Interrupts

- **TRIGGER CONDITION(S)**

Reading the GPIO Port 1 when either rising or falling edge interrupts are enabled for a GPIO pin.

- **SCOPE OF IMPACT**

The chip enters the GPIO Interrupt Service Routine (ISR) in error.

- **WORKAROUND**

Workarounds will need to be tailored to individual applications based on the flexibility of changing the GPIO usage, the timing of the GPIO interrupt sources and firmware interrupt latencies.

- **FIX STATUS**

No silicon fix is planned.

References

1. 38-08028 CY7C63221/31A enCoRe™ Low-speed USB Peripheral Controller datasheet.



CYC7632xx

Document History Page

Document Title: CY7C632xx Rev. A Errata Document Number: 38-17016				
REV.	ECN NO.	Issue Date	Orig. of Change	Description of Change
**	217003	See ECN	bha	Initial release.