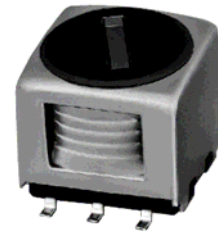
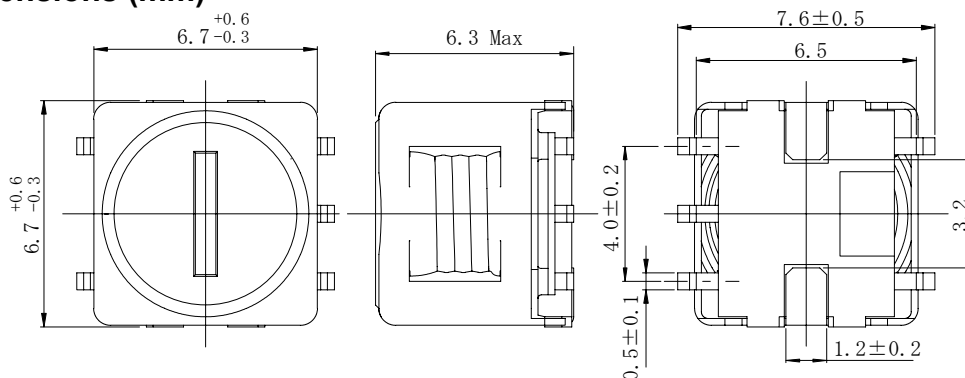


Type: CMG65B
◆ Product Description

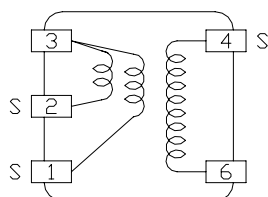
- 7.3×7.3mm Max.(L×W), 6.3mm Max. Height.
- Inductance:50mH Max.
- Operating frequency:10~250kHz Max.
- Custom design is available.


◆ Feature

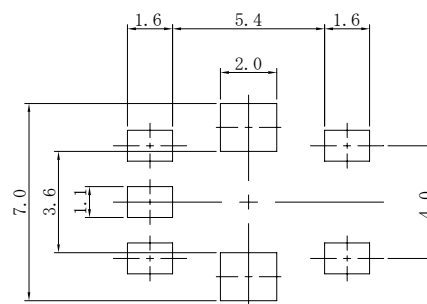
- Variable shielded high inductance type.
- RoHS Compliance

◆ Dimensions (mm)


- * Dimension does not include solder used on coil.
- * Pin pitch shall be measured at the root of terminal.

◆ Connection (Bottom View)


"S" is winding start

◆ Land Pattern (mm)

◆ Specification (Part No.25-09507Z01-A)

Item	Specification	Measuring condition
Inductance (4-6)	50 mH ± 5% Within	79.6 kHz
Unloaded Q (4-6)	Min. 50	79.6 kHz
Inductance (1-3)	4.9 μH (Ref)	100 kHz
Inductance (2-3)	135 nH (Ref)	100 kHz