

Americas

147 Central Avenue  
Hackensack, NJ 07601  
(201) 489-8989  
[www.cml-it.com](http://www.cml-it.com)

Europe

Robert Bunsen Str. 1  
D-67098 Bad Durkheim  
+49 (6322) 9567-0  
[www.cml-it.com](http://www.cml-it.com)

---

***CMDA31RGB15D13L Power LED on Star PCB***  
***1 Watt - Full Color Emitter (Red, Green, Blue)***

**- Features**

- Super high flux output and high luminance
- Designed for high current operation
- Low thermal resistance
- SMT solder compatible
- Lead (Pb) Free Product – RoHS Compliant

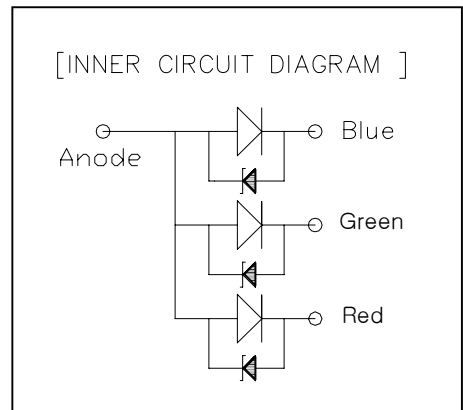
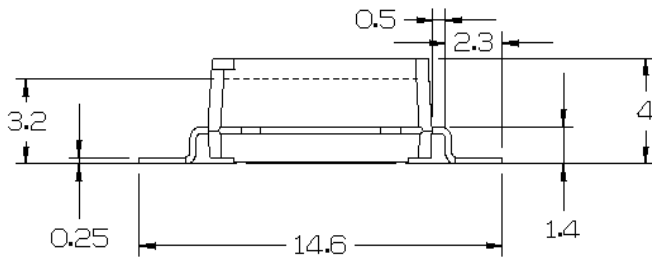
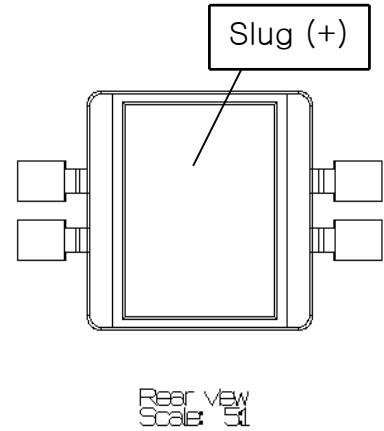
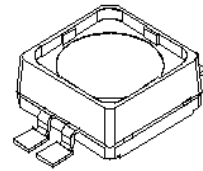
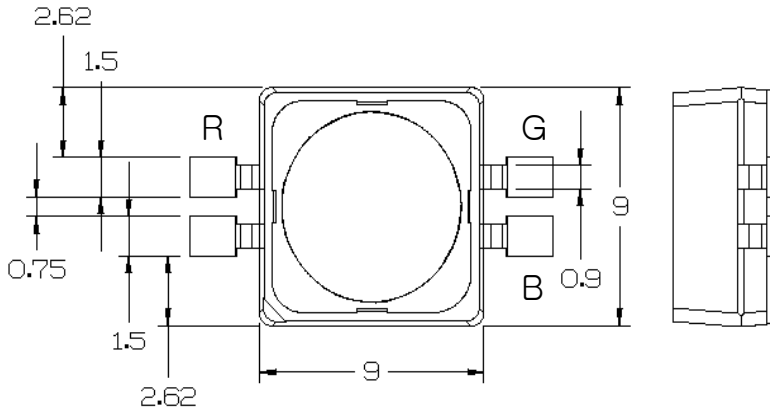
**- Applications**

- General Illumination
  - Outdoor & Indoor Architectural Lighting
  - Decorative Lighting
  - Portable Lighting / Flash Light (Torch) Lamps
  - Reading Lamps and Task Lighting
  - Traffic Signaling

**- Description**

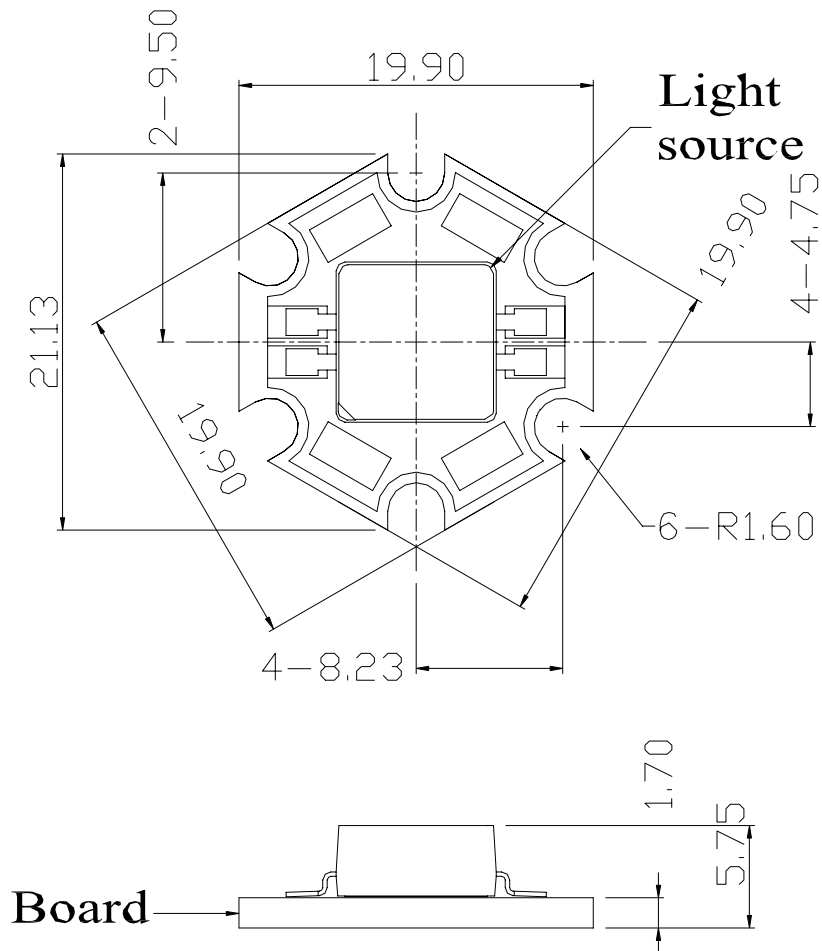
This LED package is designed for high current operation and high flux output applications. The package design features better thermal management characteristics than other LED solutions. Because of these advantages, this product has many applications such as internal & external lighting, automobile lighting, large size LCD backlight, etc.

# 1. Outline Dimensions



- Notes: 1. All dimensions are in millimeters.
- 2. Scale: none
- 3. This drawing is reference only for engineering

## 1. Metal Outline Dimensions



**CMDA31RGB15D13L  
Star PCB**

- Note: 1. All dimensions are in millimeters  
2. Scale : none  
3. This drawing is reference only engineering.

## 2. Electro-Optical Characteristics (at $T_A=25^\circ\text{C}$ )

Parameter	Symbol	Value			Unit
		Min	Typ	Max	
Luminous Flux <sup>[1]</sup>	$\Phi_V$ <sup>[2]</sup>	-	60	-	lm
Correlated Color Temperature <sup>[3]</sup>	CCT	-	6000	-	K
Forward Voltage <sup>[4]</sup>	$V_F$	-	R: 2.5 , B/G: 3.4	-	V
Forward Current	$I_F$	R: 237, G:370, B:120			mA

## 3. Absolute Maximum Ratings (at $T_A=25^\circ\text{C}$ )

Parameter	Symbol	Value	Unit
Forward Current	$I_F$	1.2	A
Power Dissipation	$P_D$	3.5	W
Junction Temperature	$T_j$	125	$^\circ\text{C}$
Operating Temperature	$T_{opr}$	-30 ~ +85	$^\circ\text{C}$
Storage Temperature	$T_{stg}$	-40 ~ +120	$^\circ\text{C}$
ESD Sensitivity <sup>[5]</sup>	-	$\pm 20,000\text{V}$ HBM	-

\*Notes:

[1] CML-IT maintains a tolerance of  $\pm 10\%$  on flux and power measurements.

[2]  $\Phi_V$  is the total luminous flux output as measured with an integrated sphere.

[3] Correlated Color Temperature is derived from the CIE 1931 Chromaticity diagram.  
CCT  $\pm 5\%$  tester tolerance

[4] A tolerance of  $\pm 0.06\text{V}$  on forward voltage measurements

[5] Break voltage of Metal PCB is 6.5kVAC

[6] The emitter does include a Zener chip to protect the product from ESD.

-----Caution-----

**Please do not drive at rated current more than 5 sec. without proper heat sink**



Americas  
147 Central Avenue  
Hackensack, NJ 07601  
(201) 489-8989  
[www.cml-it.com](http://www.cml-it.com)

Europe  
Robert Bunsen Str. 1  
D-67098 Bad Dürkheim  
+49 (6322) 9567-0  
[www.cml-it.com](http://www.cml-it.com)

## 2. Electro-Optical Characteristics (at $I_F=350\text{mA}$ , $T_A=25^\circ\text{C}$ )

Parameter	Symbol	Value			Unit
		Min	Typ	Max	
Luminous Flux <sup>[1]</sup>	$\Phi_V$ <sup>[1]</sup>	22	30	-	lm
Dominant Wavelength <sup>[3]</sup>	$\lambda_D$	618	625	632	nm
Forward Voltage <sup>[4]</sup>	$V_F$	2.0	2.5	3.0	V
View Angle	$2\Theta$ 1/2	128			deg.
Thermal Resistance <sup>[5]</sup>	$R\Theta_{J-B}$	12			$^\circ\text{C}/\text{W}$

## 3. Absolute Maximum Ratings (at $T_A=25^\circ\text{C}$ )

Parameter	Symbol	Value	Unit
Forward Current	$I_F$	0.4	A
Power Dissipation	$P_D$	1.2	W
Junction Temperature	$T_j$	100	$^\circ\text{C}$
Operating Temperature	$T_{opr}$	-30 ~ +85	$^\circ\text{C}$
Storage Temperature	$T_{stg}$	-40 ~ +120	$^\circ\text{C}$
ESD Sensitivity <sup>[6]</sup>	-	$\pm 20,000\text{V}$ HBM	-

\*Notes:

- [1] CML-IT maintains a tolerance of  $\pm 10\%$  on flux and power measurements.
- [2]  $\Phi_V$  is the total luminous flux output as measured with an integrated sphere.
- [3] Dominant wavelength is derived from the CIE 1931 Chromaticity diagram.  
A tolerance of  $\pm 0.5\text{nm}$  for dominant wavelength
- [4] A tolerance of  $\pm 0.06\text{V}$  on forward voltage measurements
- [5]  $R\Theta_{J-B}$  is measured with a SSC metal core PCB ( $25^\circ\text{C} \leq T_j \leq 110^\circ\text{C}$ ).  
Break voltage of Metal PCB is 6.5kVAC
- [6] The emitter does include a Zener chip to protect the product from ESD.

-----Caution-----

**Please do not drive at rated current more than 5 sec. without proper heat sink**

# Green

## 2. Electro-Optical Characteristics (at $I_F=350\text{mA}$ , $T_A=25^\circ\text{C}$ )

Parameter	Symbol	Value			Unit
		Min	Typ	Max	
Luminous Flux <sup>[1]</sup>	$\Phi_V$ <sup>[2]</sup>	24	48	-	lm
Dominant Wavelength <sup>[3]</sup>	$\lambda_D$	520	527	535	nm
Forward Voltage <sup>[4]</sup>	$V_F$	3.0	3.5	4.0	V
View Angle	$2\theta$ 1/2	130			deg.
Thermal Resistance <sup>[5]</sup>	$R\theta_{J-B}$	8			$^\circ\text{C}/\text{W}$

## 3. Absolute Maximum Ratings (at $T_A=25^\circ\text{C}$ )

Parameter	Symbol	Value	Unit
Forward Current	$I_F$	0.4	A
Power Dissipation	$P_D$	1.6	W
Junction Temperature	$T_j$	125	$^\circ\text{C}$
Operating Temperature	$T_{opr}$	-30 ~ +85	$^\circ\text{C}$
Storage Temperature	$T_{stg}$	-40 ~ +120	$^\circ\text{C}$
ESD Sensitivity <sup>[6]</sup>	-	$\pm 20,000\text{V}$ HBM	-

\*Notes:

[1] CML-IT maintains a tolerance of  $\pm 10\%$  on flux and power measurements.

[2]  $\Phi_V$  is the total luminous flux output as measured with an integrated sphere.

[3] Dominant wavelength is derived from the CIE 1931 Chromaticity diagram.

A tolerance of  $\pm 0.5\text{nm}$  for dominant wavelength

[4] A tolerance of  $\pm 0.06\text{V}$  on forward voltage measurements

[5]  $R\theta_{J-B}$  is measured with a SSC metal core PCB ( $25^\circ\text{C} \leq T_j \leq 110^\circ\text{C}$ ).

Break voltage of Metal PCB is 6.5kVAC

[6] The emitter does include a Zener chip to protect the product from ESD.

-----Caution-----

**Please do not drive at rated current more than 5 sec. without proper heat sink**



Americas  
147 Central Avenue  
Hackensack, NJ 07601  
(201) 489-8989  
[www.cml-it.com](http://www.cml-it.com)

Europe  
Robert Bunsen Str. 1  
D-67098 Bad Dürkheim  
+49 (6322) 9567-0  
[www.cml-it.com](http://www.cml-it.com)

# Blue

## 2. Electro-Optical Characteristics (at $I_F=350\text{mA}$ , $T_A=25^\circ\text{C}$ )

Parameter	Symbol	Value			Unit
		Min	Typ	Max	
Luminous Flux <sup>[1]</sup>	$\Phi_V$ <sup>[2]</sup>	6	11	-	lm
Dominant Wavelength <sup>[3]</sup>	$\lambda_D$	455	460	475	nm
Forward Voltage <sup>[4]</sup>	$V_F$	3.0	3.5	4.0	V
View Angle	$2\Theta$ 1/2	130			deg.
Thermal Resistance <sup>[5]</sup>	$R\Theta_{J-B}$	8			$^\circ\text{C}/\text{W}$

## 3. Absolute Maximum Ratings (at $T_A=25^\circ\text{C}$ )

Parameter	Symbol	Value	Unit
Forward Current	$I_F$	0.4	A
Power Dissipation	$P_D$	1.6	W
Junction Temperature	$T_j$	125	$^\circ\text{C}$
Operating Temperature	$T_{opr}$	-30 ~ +85	$^\circ\text{C}$
Storage Temperature	$T_{stg}$	-40 ~ +120	$^\circ\text{C}$
ESD Sensitivity <sup>[6]</sup>	-	$\pm 20,000\text{V}$ HBM	-

\*Notes:

[1] CML-IT maintains a tolerance of  $\pm 10\%$  on flux and power measurements.

[2]  $\Phi_V$  is the total luminous flux output as measured with an integrated sphere.

[3] Dominant wavelength is derived from the CIE 1931 Chromaticity diagram.

A tolerance of  $\pm 0.5\text{nm}$  for dominant wavelength

[4] A tolerance of  $\pm 0.06\text{V}$  on forward voltage measurements

[5]  $R\Theta_{J-B}$  is measured with a SSC metal core PCB ( $25^\circ\text{C} \leq T_j \leq 110^\circ\text{C}$ ).

Break voltage of Metal PCB is 6.5kVAC

[6] The emitter does include a Zener chip to protect the product from ESD.

### -----Caution-----

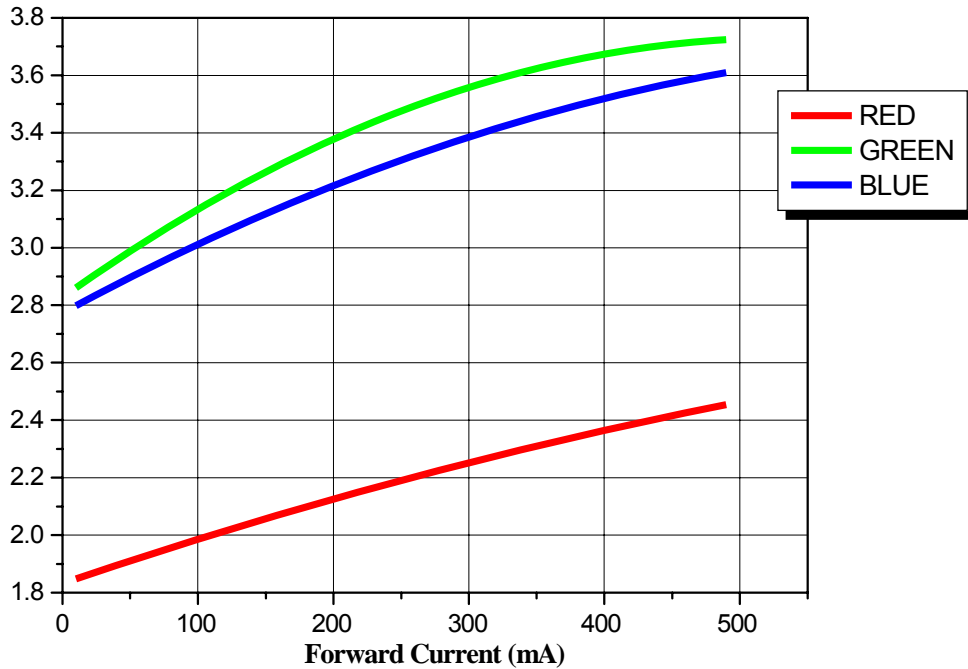
1. Please do not drive at rated current more than 5 sec. without proper heat sink
2. Blue power light sources represented here are IEC825 Class 2 for eye safety



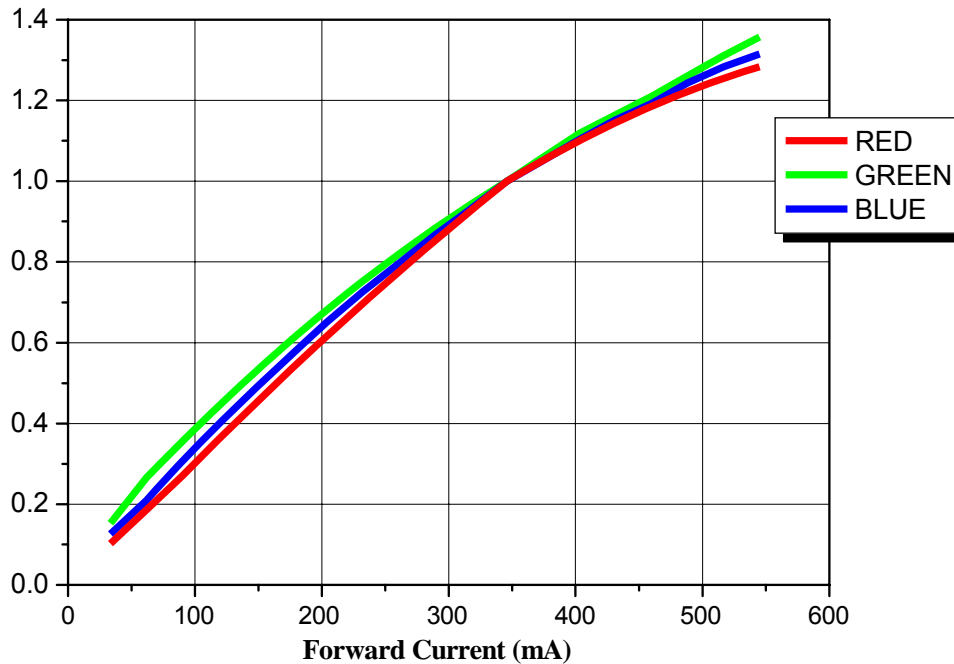
Americas  
 147 Central Avenue  
 Hackensack, NJ 07601  
 (201) 489-8989  
[www.cml-it.com](http://www.cml-it.com)

Europe  
 Robert Bunsen Str. 1  
 D-67098 Bad Durkheim  
 +49 (6322) 9567-0  
[www.cml-it.com](http://www.cml-it.com)

#### 4. Forward Voltage vs. Forward Current (Ta=25 °C)

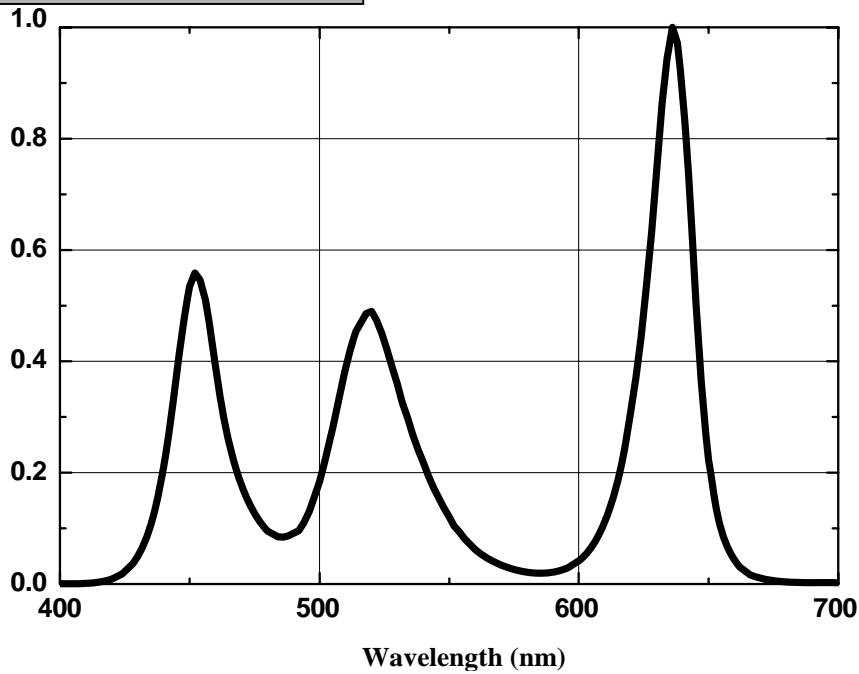


#### 5. Forward Current vs. Normalized Relative Luminous Flux (Ta=25 °C)

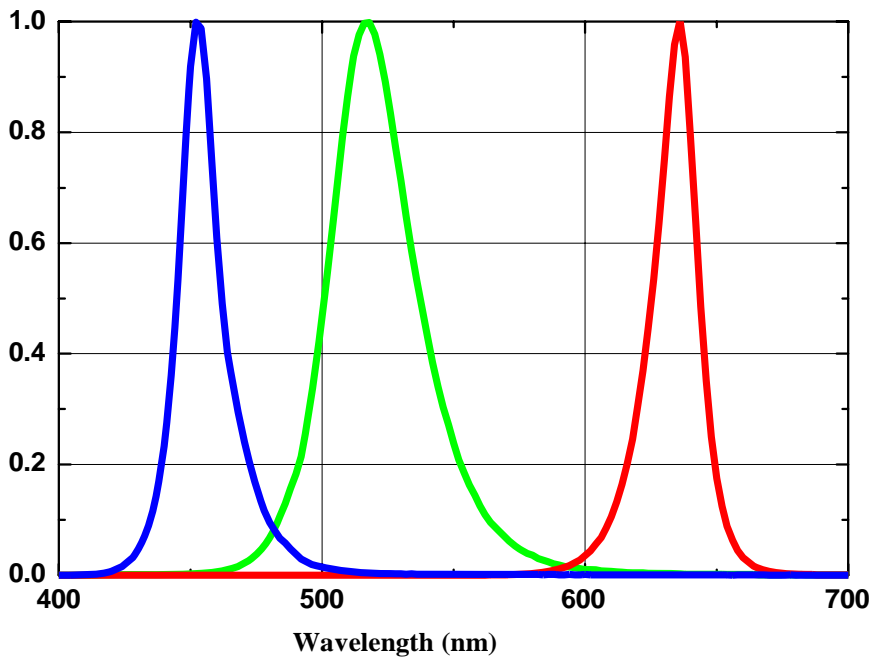




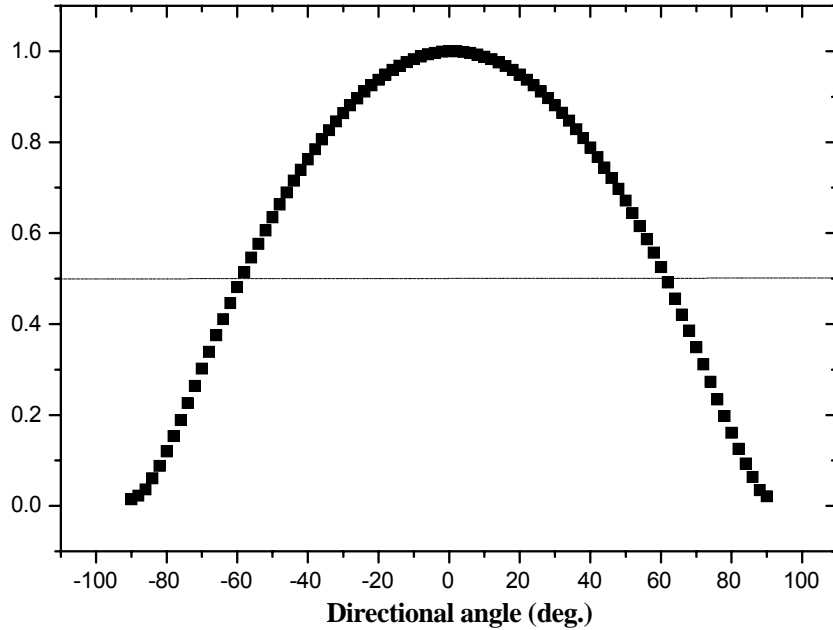
## 6. Spectrum for White (Ta=25°C)



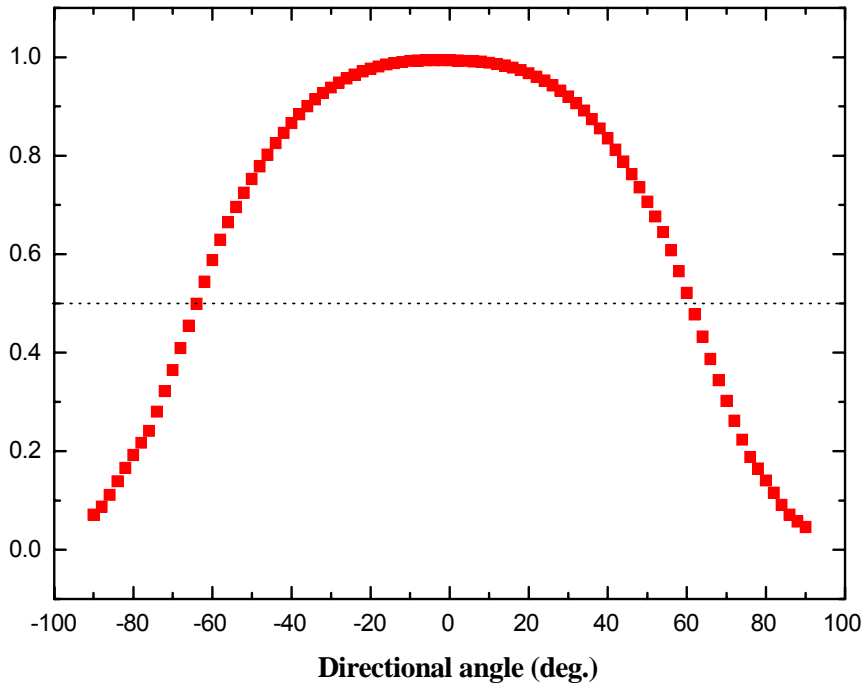
## 7. Wavelength Curve for Red, Green, Blue (Ta=25°C)



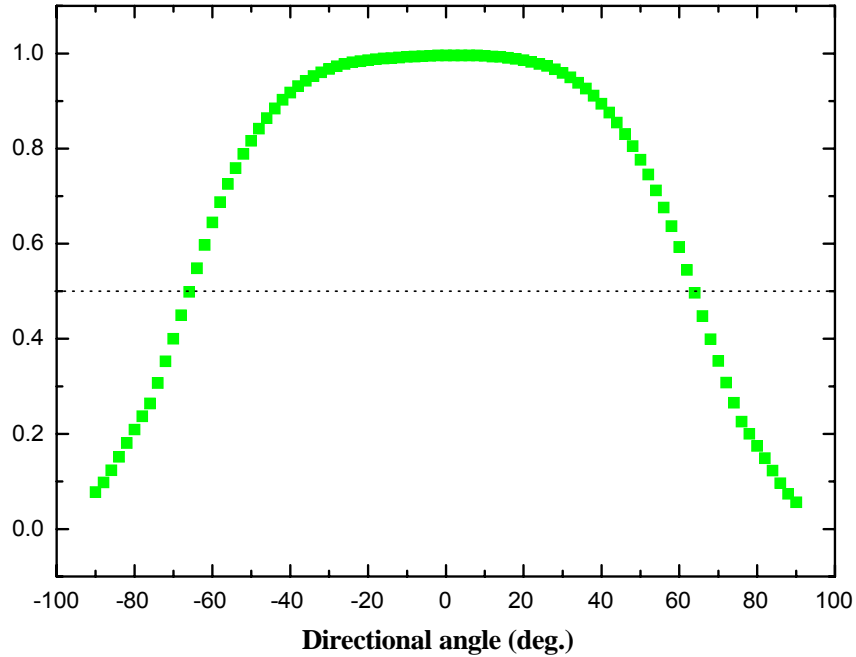
## 8. Radiant pattern for White



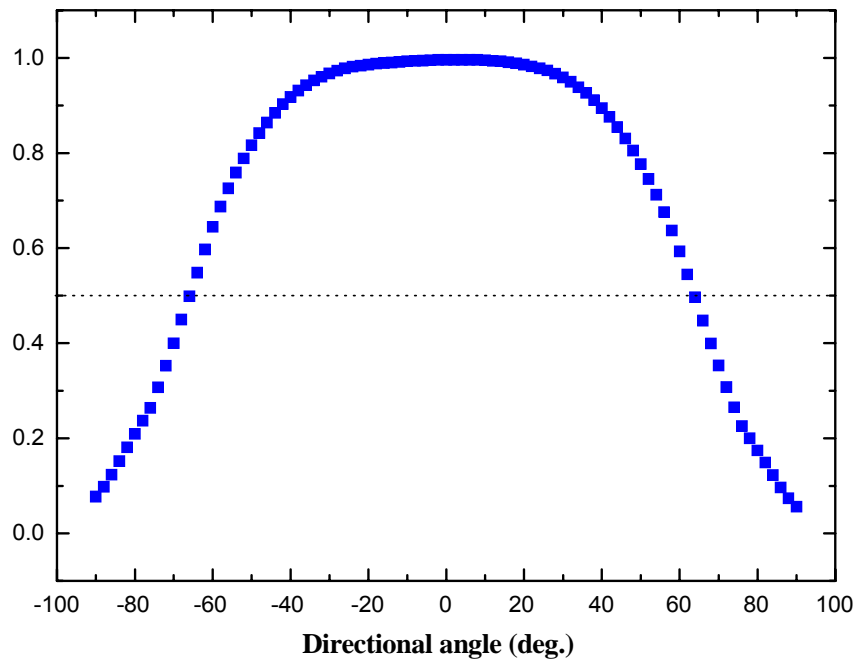
## 9. Radiant pattern for Red



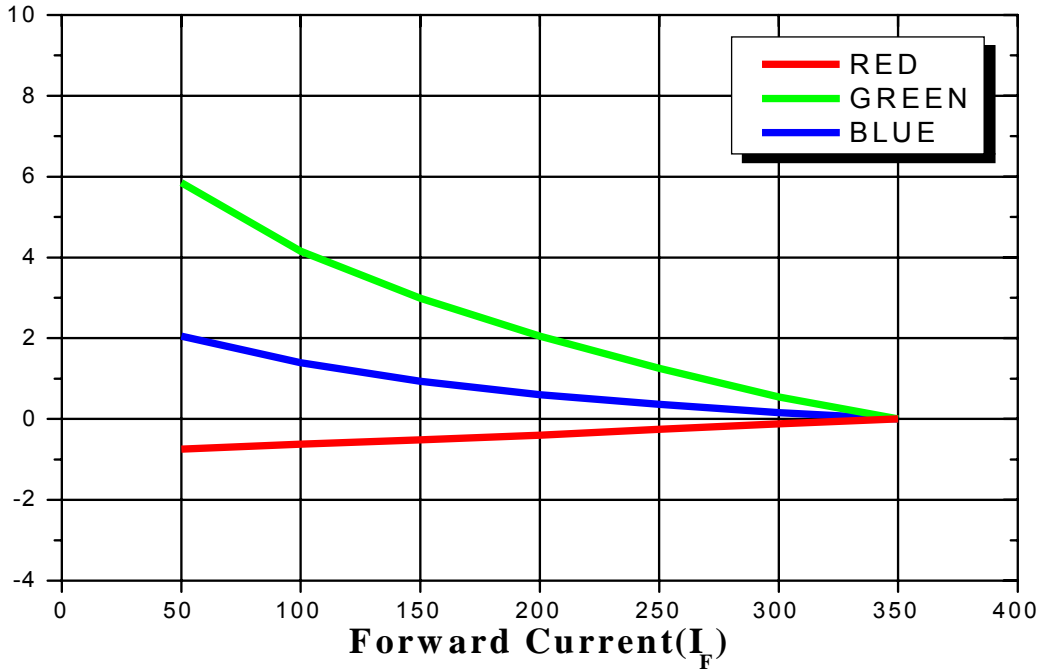
## 10. Radiant pattern for Green



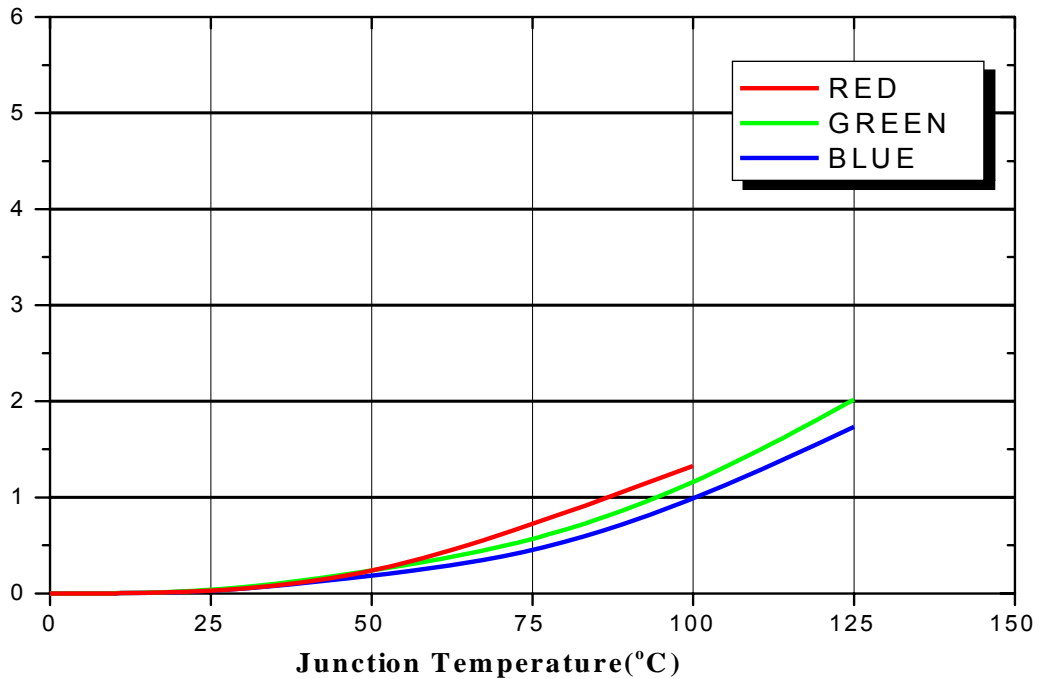
## 11. Radiant pattern for Blue



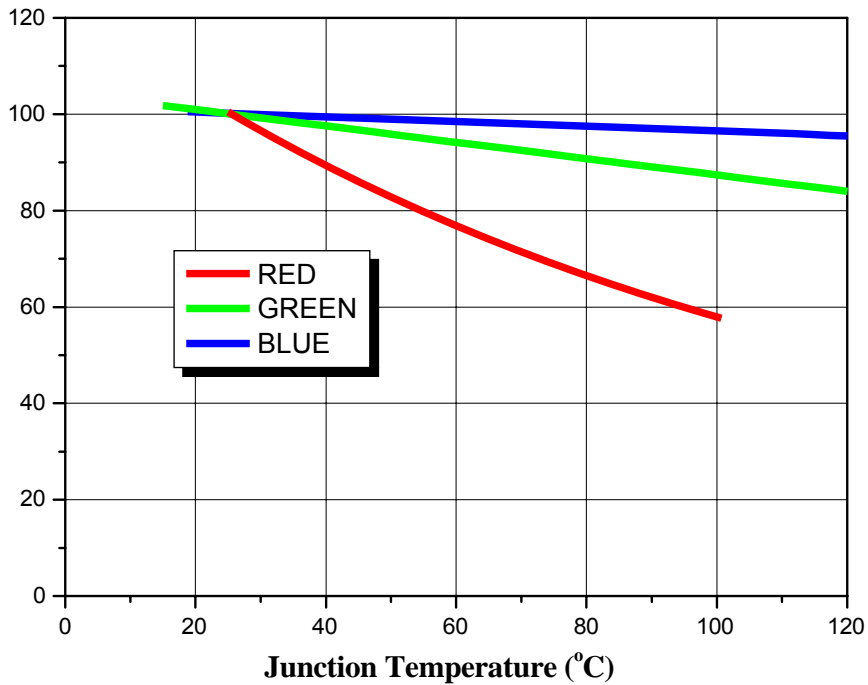
### 12. Forward Current vs. Wavelength shift (Ta=25°C)



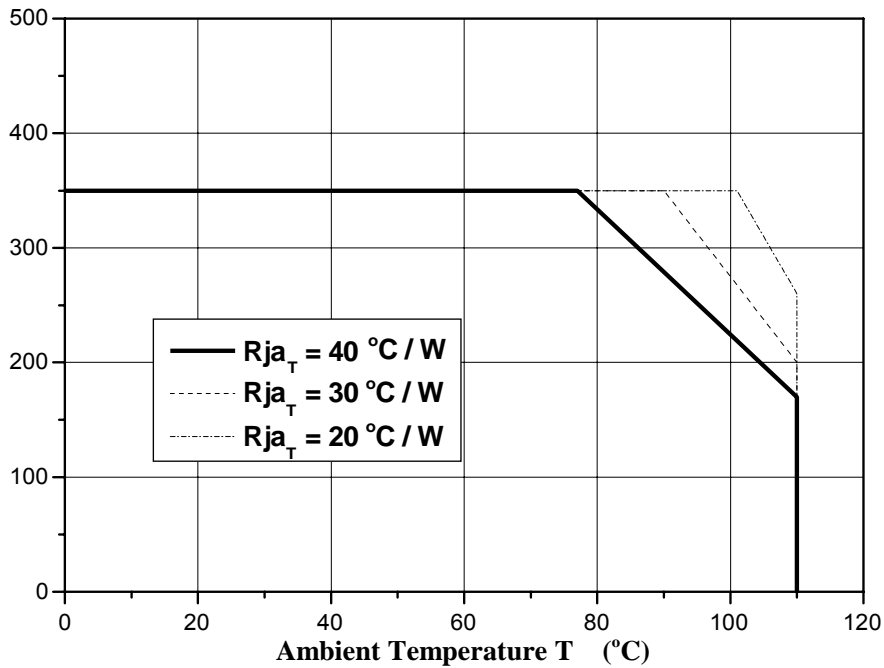
### 13. Junction Temp vs. Wavelength shift (Ta=25°C)



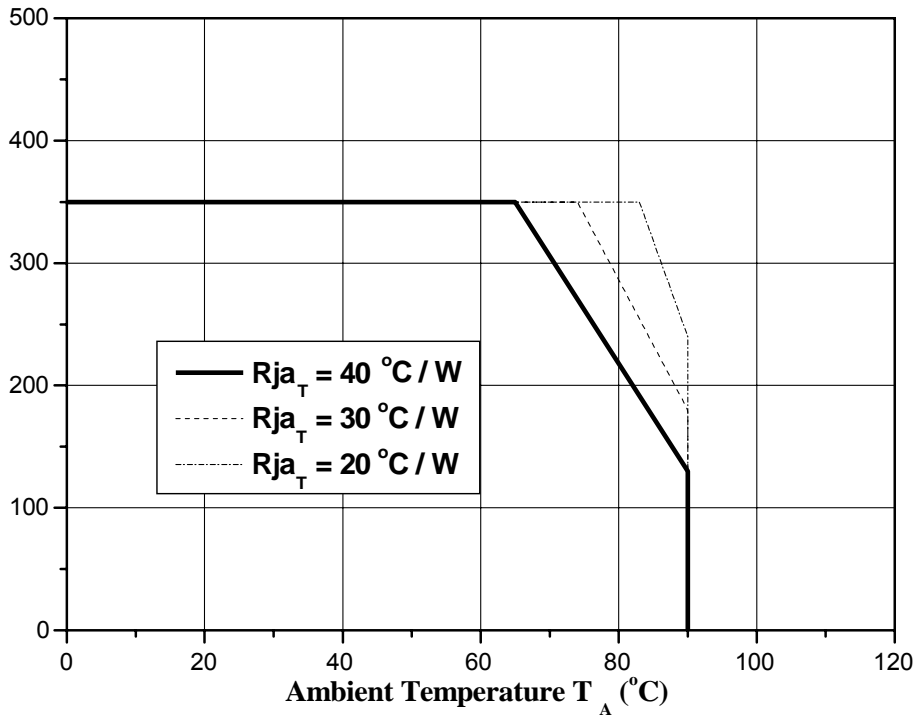
**14. Temperature of Junction vs. Relative Light Output for Blue, Green, Red (Ta=25 °C)**



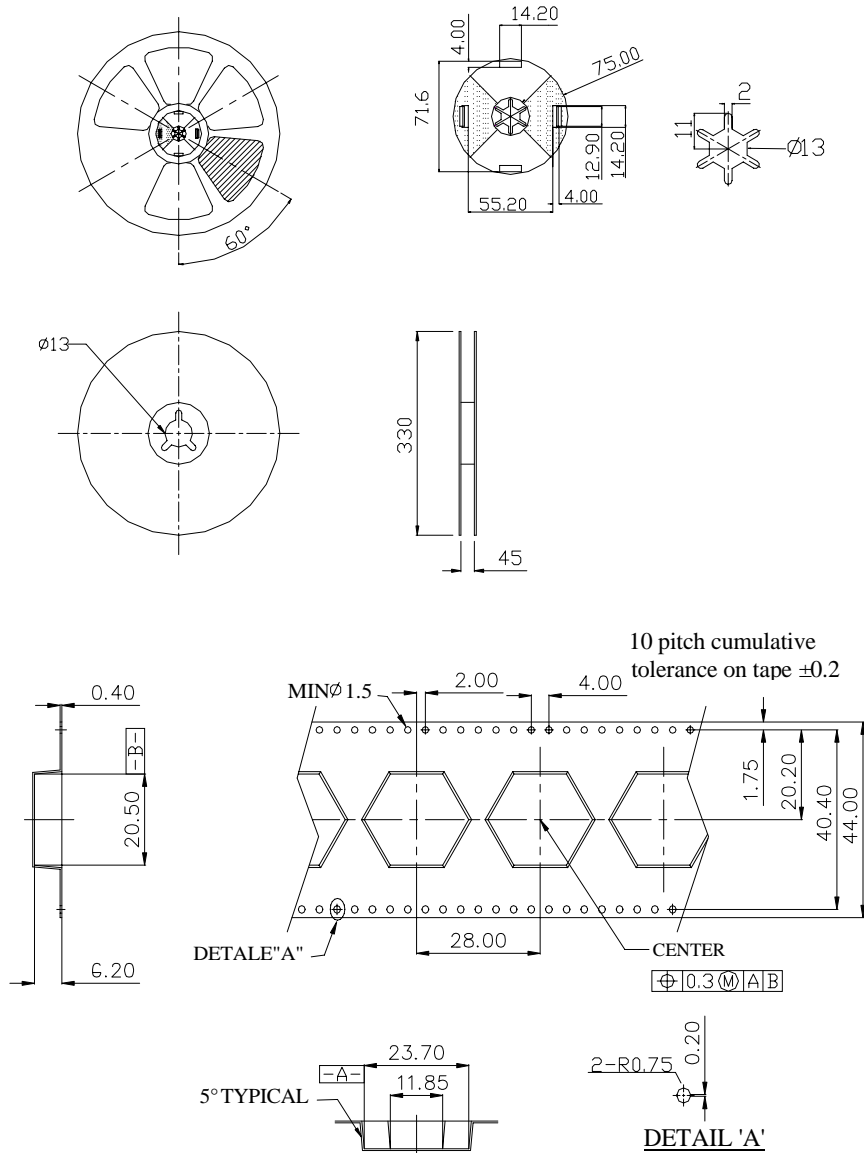
**15. Ambient Temperature vs. Allowable Forward Current for 1 chip Blue, Green**



## 16. Ambient Temperature vs. Allowable Forward Current for 1 chip Red,



## 17. Reel Packaging Dimensions (Star type)



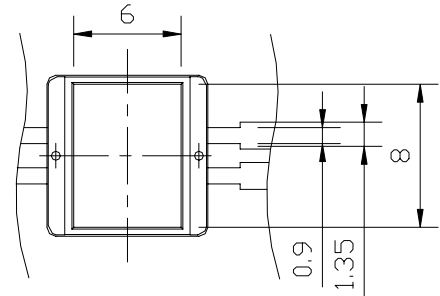
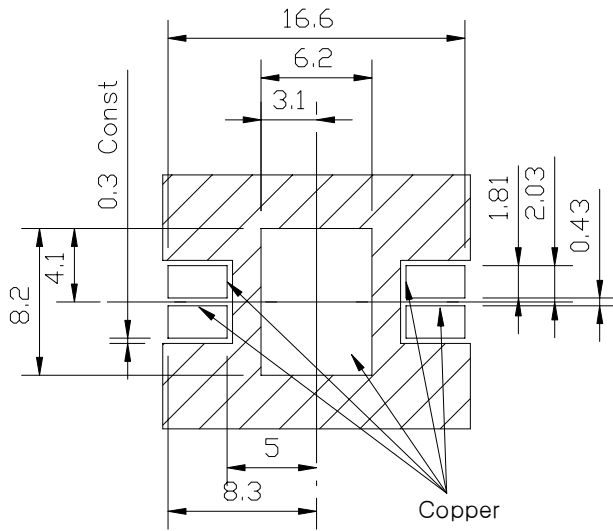
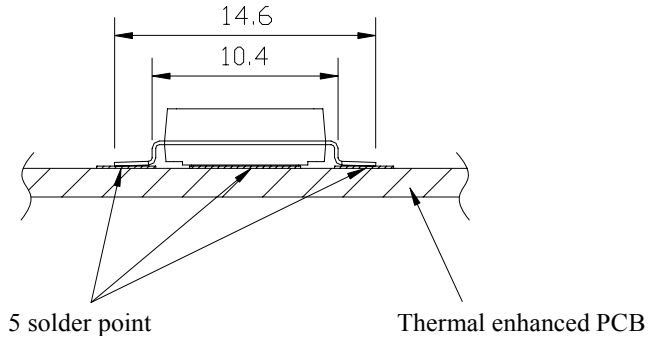
Note : 1. The number of loaded products in the reel is 100 pieces

2. All dimensions are in millimeters

3. Scale : none

4. This drawing is reference only engineering

## 18. Recommended solder pad

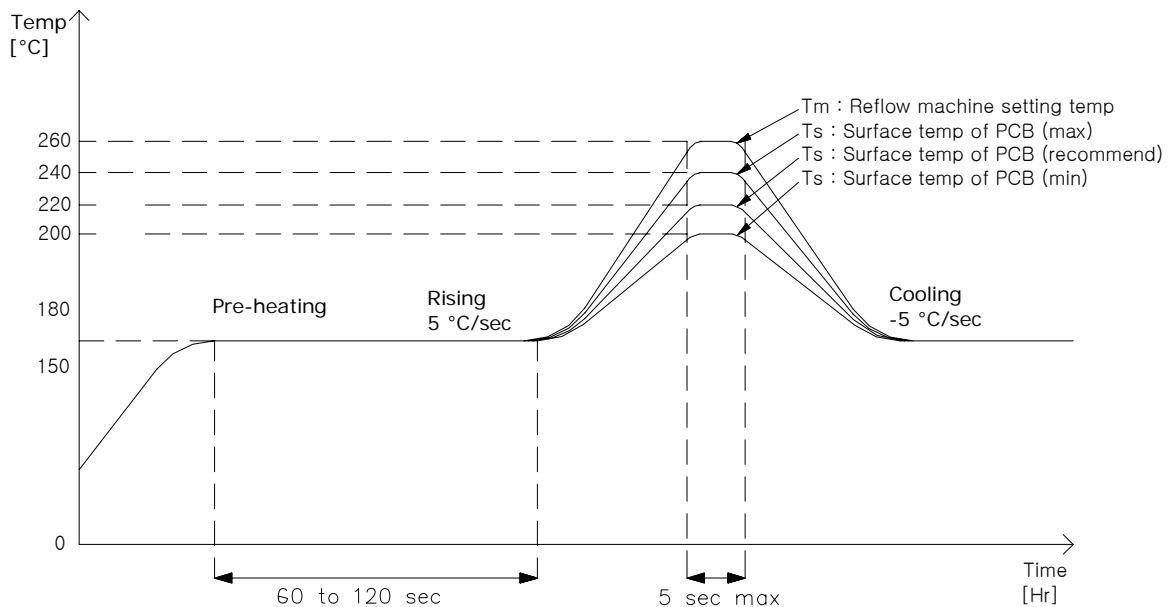


<Rear view>



## 19. Soldering Profile

### (1) Reflow Soldering Conditions / Profile



### (2) Hand Soldering conditions

- Lead : Not more than 3 seconds @ MAX280°C
- Slug : Use a thermal-adhesives

#### \* Caution

1. Reflow soldering should not be done more than one time.
2. Repairing should not be done after the LED's have been soldered. When repairing is unavoidable, suitable tools must be used.
3. Die slug is to be soldered.
4. When soldering, do not put stress on the LED's during heating.
5. After soldering, do not warp the circuit board.
6. Recommend to use a convection type reflow machine with 7 ~ 8 zones.