

# 4.5-10.5 GHz GaAs Receiver QFN, 4x4mm



January 2008 - Rev 28-Jan-08

X RI011-QH  
X RoHS

## Features

- X Integrated LNA, Mixer and LO Buffer Amplifier
- X 1.8 dB Noise Figure
- X 13.0 dB Conversion Gain
- X 4x4mm QFN Package
- X 100% RF, DC and NF Testing



## General Description

Mimix Broadband's 4.5-10.5 GHz QFN packaged receiver has a noise figure of 1.8 dB and 13.0 dB conversion gain across the band. The device integrates an LNA, image reject mixer and LO buffer amplifier within a fully molded 4x4mm QFN package. The image reject mixer eliminates the need for a bandpass filter after the LNA to remove thermal noise at the image frequency. I and Q mixer outputs are provided and an external 90 degree hybrid is required to select the desired sideband. This device uses Mimix Broadband's 0.15  $\mu\text{m}$  GaAs PHEMT device model technology, and is based upon electron beam lithography to ensure high repeatability and uniformity. This device is well suited for Point-to-Point Radio, LMDS, SATCOM and VSAT applications.

## Absolute Maximum Ratings<sup>1</sup>

Supply Voltage (Vdd)	+5.0 VDC
Supply Current (Idd)	180 mA
Gate Voltage (Vgg)	-3 V
Max Power Dissipation (Pdiss)	750 mW
RF Input Power (Pin)	+14 dBm
LO Input Power (Pin)	+15 dBm
Operating Temperature (Ta)	-55 to +85 °C
Storage Temperature (Tstg)	-65 to +150 °C
Channel Temperature (Tch)	-40 to MTF Graph <sup>2</sup>

(1) Operation of this device above any one of these parameters may cause permanent damage

(2) Channel temperature directly affects a device's MTF. Channel temperature should be kept as low as possible to maximize lifetime

## Electrical Characteristics (Ambient Temperature T = 25 °C)

Parameter	Units	Min.	Typ.	Max.
Frequency Range (RF/LO)	GHz	4.5	-	10.5
Frequency Range (IF)	GHz	DC	-	3.5
Conversion Gain (CG)	dB	12.0	13.0	15.0
Noise Figure (NF)	dB		1.8	
Input Third Order Intercept (IIP3)	dBm		+3.0	
Image Rejection	dBc	15.0	20.0	
LO Input Drive	dBm		+5.0	
LO/RF Isolation	dB		-50	
RF Input Return Loss	dB		10	
LO Input Return Loss	dB		10	
IF Return Loss	dB		10	
Drain Bias Voltage (Vd1,2,3)	VDC		+4.0	+4.5
Gate Bias Voltage (Vg1,2,3)*	VDC	-1.2	-0.3	0.2
Gate Bias Voltage (Vg4)**	VDC	-	-2.0	-
Supply Current (Id1)	mA		25	
Supply Current (Id2)	mA		45	
Supply Current (Id3)	mA		60	
Supply Current (Ig4)	mA		2	

\*Vg1,2 and 3 are adjusted to achieve constant drain current regulation.

\*\*Vg4 provides mixer bias and is fixed at -2.0V.

Mimix Broadband, Inc., 10795 Rockley Rd., Houston, Texas 77099  
Tel: 281.988.4600 Fax: 281.988.4615 mimixbroadband.com

Page 1 of 7

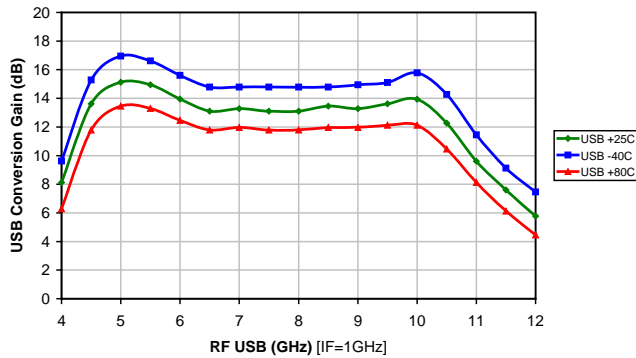
Characteristic Data and Specifications are subject to change without notice. ©2008 Mimix Broadband, Inc.  
Export of this item may require appropriate export licensing from the U.S. Government. In purchasing these parts, U.S. Domestic customers accept their obligation to be compliant with U.S. Export Laws.

# 4.5-10.5 GHz GaAs Receiver QFN, 4x4mm

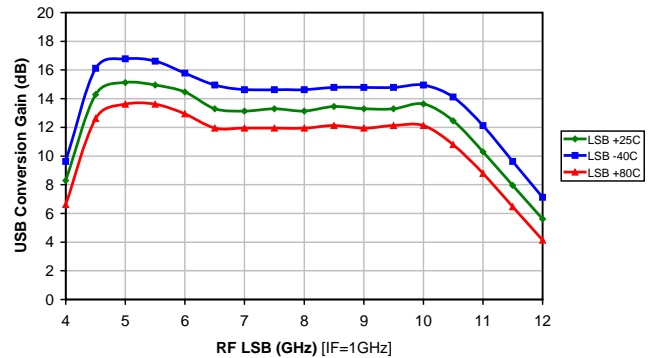
January 2008 - Rev 28-Jan-08

## Receiver Measurements

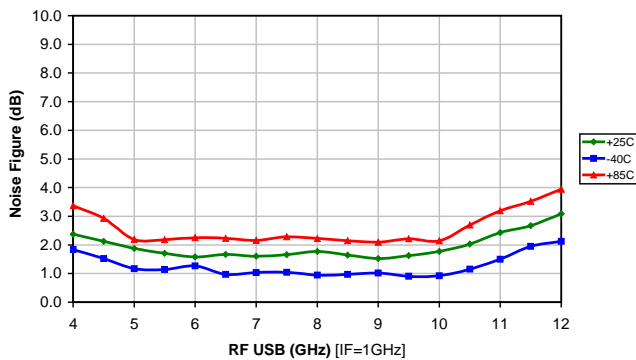
XR1011-QH: USB Conversion Gain (dB)  
4V @ 130mA, PLO=5dBm



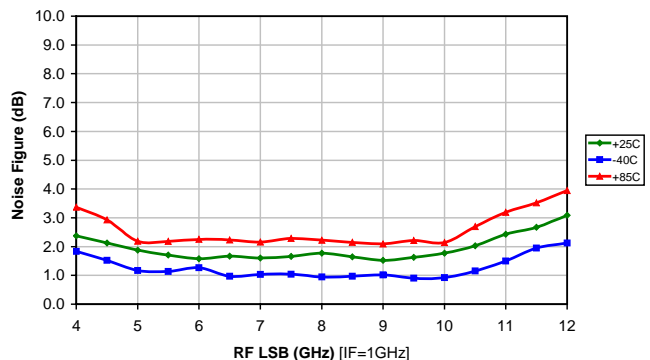
XR1011-QH: USB Conversion Gain (dB)  
4V @ 130mA, PLO=5dBm



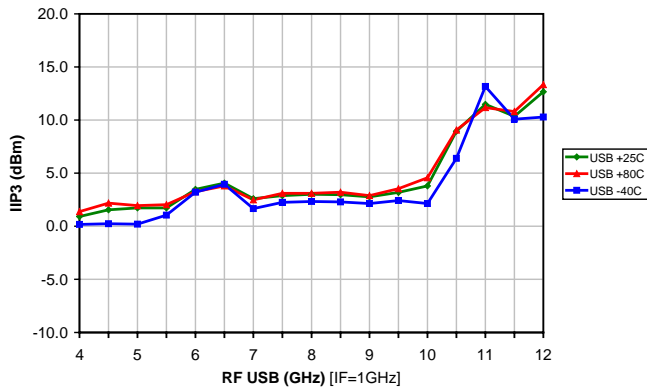
XR1011-QH: USB Noise Figure  
4V @ 130mA, PLO=5dBm



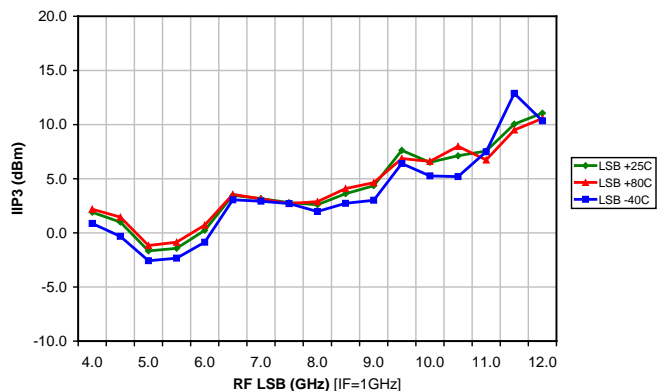
XR1011-QH: USB Noise Figure  
4V @ 130mA, PLO=5dBm



XR1011-QH: USB IIP3 (dBm).  
4V @ 130mA, PLO=5dBm, RF = -18 dBm per Tone



XR1011-QH: LSB IIP3 (dBm)  
4V @ 130mA, PLO=5dBm, RF = -18 dBm per Tone

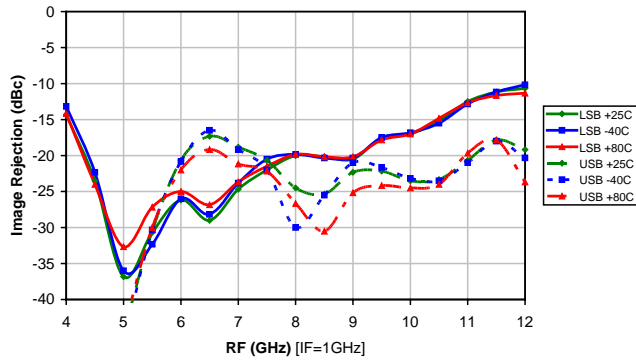


# 4.5-10.5 GHz GaAs Receiver QFN, 4x4mm

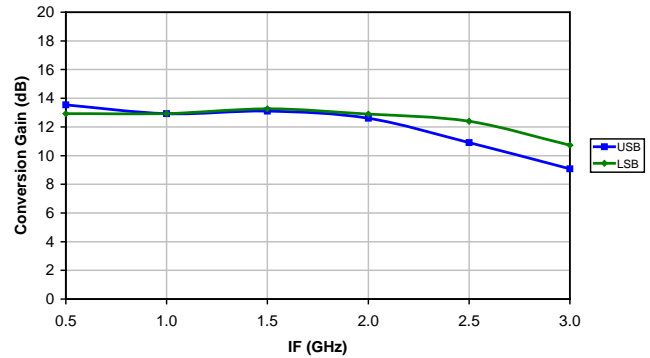
January 2008 - Rev 28-Jan-08

## Receiver Measurements (cont.)

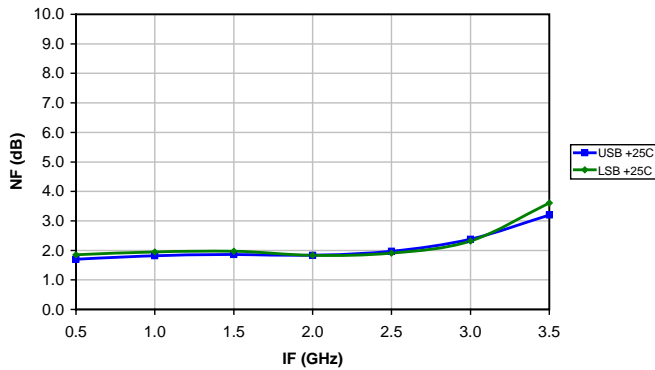
XR1011-QH: USB and LSB Image Rejection (dBc)  
4V @ 130mA, PLO=5dBm



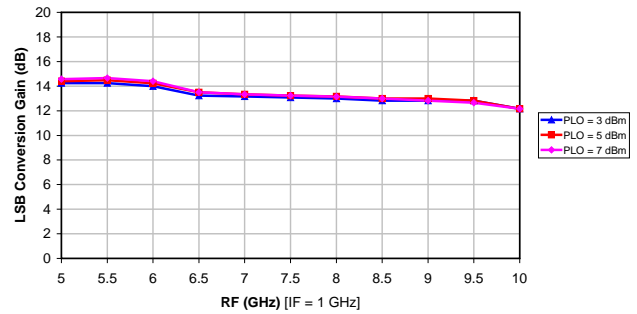
XR1011-QH: Conversion Gain (dB) vs IF (GHz) at LO=7.5 GHz  
4V @ 130mA, PLO=5dBm



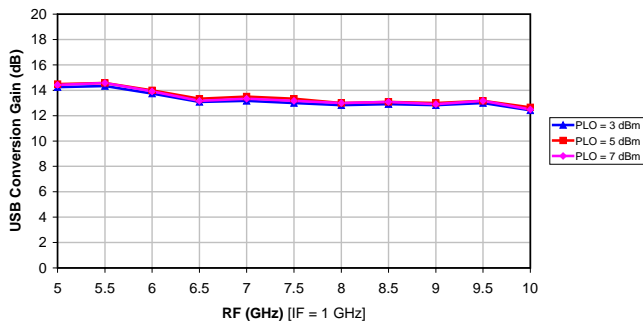
XR1011-QH: Noise Figure (dB) vs IF (GHz) at LO=7.5 GHz  
4V @ 130mA, PLO=5dBm



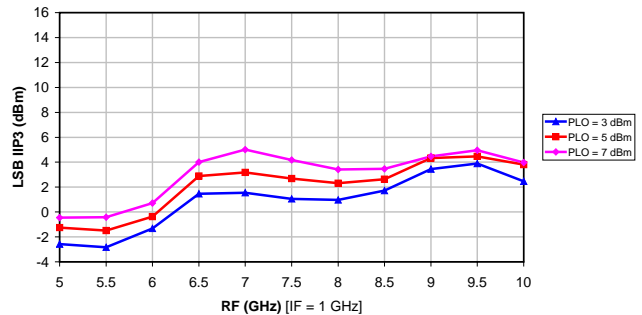
XR1011-QH: LSB Conversion Gain (dB) vs. RF (GHz).  
4 V @ 130 mA



XR1011-QH: USB Conversion Gain (dB) vs. RF (GHz).  
4 V @ 130 mA



XR1011-QH: LSB IIP3 (dBm) vs. RF (GHz).  
4 V @ 130 mA

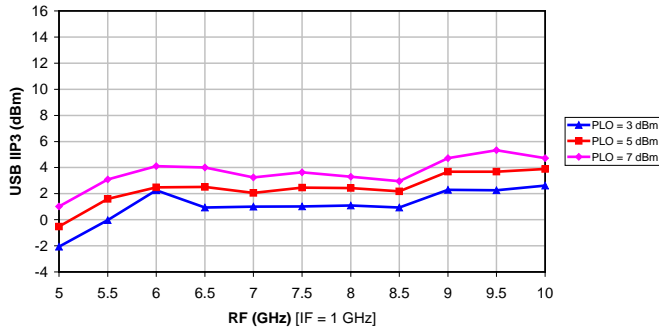


# 4.5-10.5 GHz GaAs Receiver QFN, 4x4mm

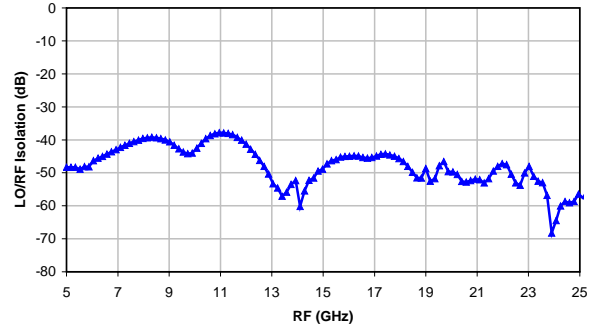
January 2008 - Rev 28-Jan-08

## Receiver Measurements (cont.)

XR1011-QH: USB IIP3 (dBm) vs. RF (GHz).  
4 V @ 130 mA



XR1011-QH: LO/RF Isolation (dB) vs. RF (GHz).  
4V @ 130mA, PLO = 5dBm



## MxN Spurious Outputs

		nLO				
		0	1	2	3	4
mRF	0	-	33	38	49	61
	1	30	0	71	74	-
	2	66	65	17	80	72
	3	97	105	79	30	79
	4	>110	>110	108	88	45

RF=7.5GHz @ -10dBm  
LO=6.5GHz @ +5dBm  
Data measured without 90deg hybrid  
All values in dBc below IF power level

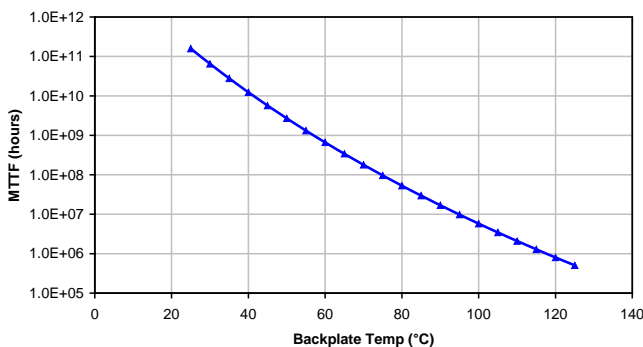
## LO Harmonics

LO Freq (GHz)	nLO Spur, RF Port			
	1	2	3	4
4	53	70	70	88
5	57	71	79	64
6	54	66	67	64
7	50	102	61	81
8	49	74	61	67
9	51	54	71	70
10	50	45	72	80
11	48	40	62	64
12	53	42	64	48

LO = +5 dBm  
Values in dBc relative to LO input level, measured at RF IN port

## MTTF

XR1011-QH: MTTF (hours) vs. Backplate Temp (°C)

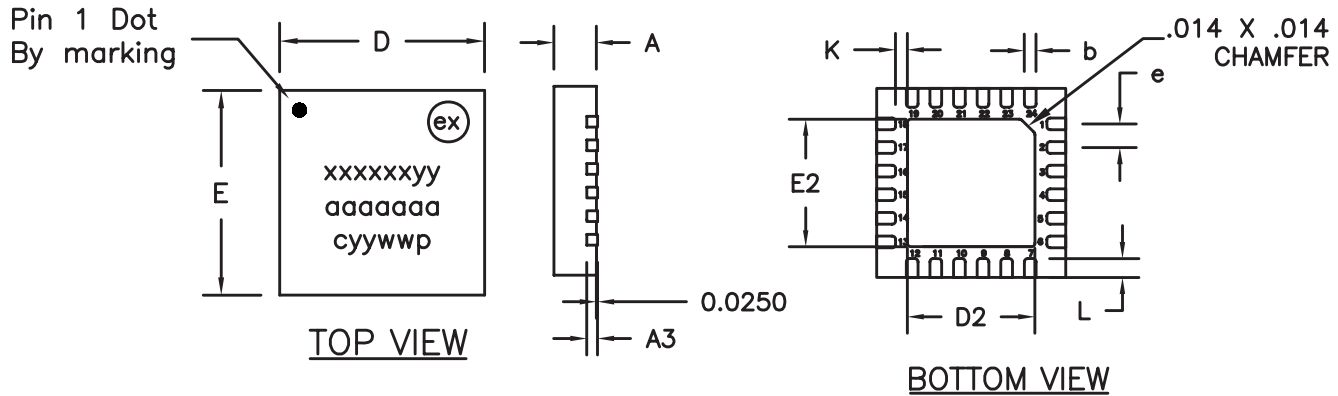


MTTF is calculated from accelerated life-time data of single devices and assumes an isothermal back-plate.

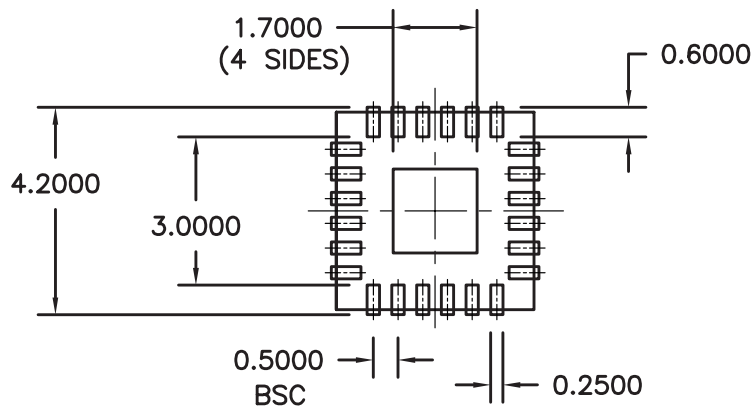
# 4.5-10.5 GHz GaAs Receiver QFN, 4x4mm

January 2008 - Rev 28-Jan-08

## Package Dimensions / Layout



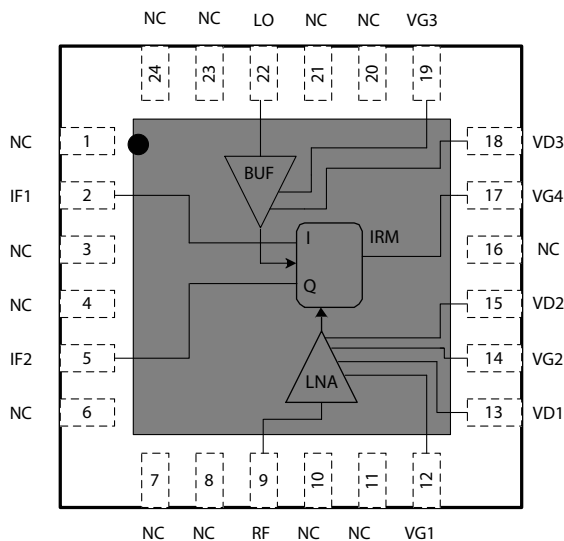
RECOMMENDED SOLDER PAD PITCH AND DIMENSIONS Note:



1. ALL DIMENSIONS ARE IN mm.

	MIN	TYP	MAX
A	0.80	0.90	1.00
A3	0.20 REF		
b	0.20	0.25	0.30
K	0.20	-	-
D	4.00 BSC		
E	4.00 BSC		
e	0.50		
D2	2.45	2.60	2.75
E2	2.45	2.60	2.75
L	0.20	0.30	0.40

## Functional Block Diagram



## Pin Designations

Pin Number	Pin Name	Pin Function	Nominal Value
2	IF1	IF1 Output	
5	IF2	IF2 Output	
9	RF	RF Input	
12	VG1	Gate 1 Bias	-0.3V
13	VD1	Drain 1 Bias	4.0V, 25 mA
14	VG2	Gate 2 Bias	-0.3V
15	VD2	Drain 2 Bias	4.0V, 45 mA
17	VG4	Gate 4 Bias	-2.0V, 2 mA
18	VD3	Drain 3 Bias	4.0V, 60 mA
19	VG3	Gate 3 Bias	-0.3V
22	LO	LO Input	+5.0 dBm
1,3,4,6,7,8,10, 11,16,20,21, 23,24	N/C*	No Connect	

\*It is recommended to externally ground all N/C pins.

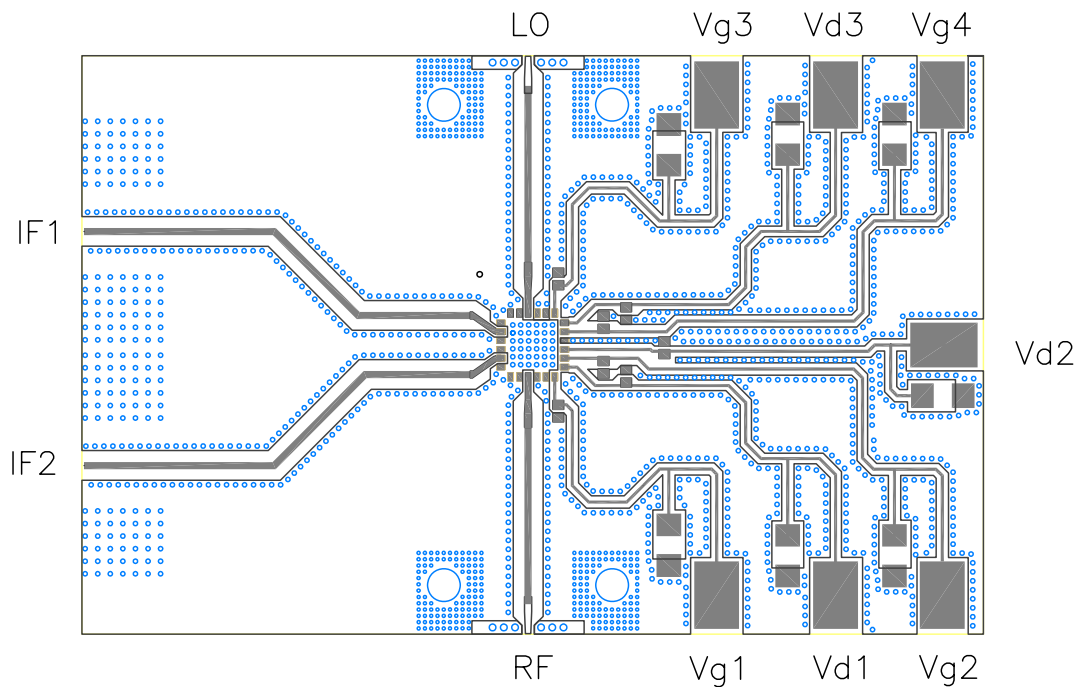
# 4.5-10.5 GHz GaAs Receiver QFN, 4x4mm

January 2008 - Rev 28-Jan-08

**App Note [1] Biasing** - As shown in the Pin Designations table, the device is operated by biasing VD1,2,3 at 4.0V with 25, 45, 60mA respectively. Additionally, a fixed voltage bias of -2V is required for mixer bias. It is recommended to use active bias to keep the currents constant in order to maintain the best performance over temperature. Depending on the supply voltage available and the power dissipation constraints, the bias circuit may be a single transistor or a low power operational amplifier, with a low value resistor in series with the drain supply used to sense the current. The gate of the pHEMT is controlled to maintain correct drain current and thus drain voltage. The typical gate voltage needed to do this is -0.3V. Make sure to sequence the applied voltage to ensure negative gate bias is available before applying the positive drain supply.

**App Note [2] Board Layout** - As shown in the board layout, it is recommended to provide 100pF decoupling caps as close to the bias pins as possible, with additional 10µF decoupling caps.

## Recommended Board Layout



Recommended Decoupling Capacitors: 100pF 0402,  
10µF 0805

Recommend to externally ground all N/C pins

# 4.5-10.5 GHz GaAs Receiver QFN, 4x4mm

January 2008 - Rev 28-Jan-08

## Handling and Assembly Information

**CAUTION!** - Mimix Broadband MMIC Products contain gallium arsenide (GaAs) which can be hazardous to the human body and the environment. For safety, observe the following procedures:

- Do not ingest.
- Do not alter the form of this product into a gas, powder, or liquid through burning, crushing, or chemical processing as these by-products are dangerous to the human body if inhaled, ingested, or swallowed.
- Observe government laws and company regulations when discarding this product. This product must be discarded in accordance with methods specified by applicable hazardous waste procedures.

### Electrostatic Sensitive Device -

Observe all necessary precautions when handling.

**Life Support Policy** - Mimix Broadband's products are not authorized for use as critical components in life support devices or systems without the express written approval of the President and General Counsel of Mimix Broadband. As used herein: (1) Life support devices or systems are devices or systems which, (a) are intended for surgical implant into the body, or (b) support or sustain life, and whose failure to perform when properly used in accordance with instructions for use provided in the labeling, can be reasonably expected to result in a significant injury to the user. (2) A critical component is any component of a life support device or system whose failure to perform can be reasonably expected to cause the failure of the life support device or system, or to affect its safety or effectiveness.

**Package Attachment** - This packaged product from Mimix Broadband is provided as a rugged surface mount package compatible with high volume solder installation. Vacuum tools or other suitable pick and place equipment may be used to pick and place this part. Care should be taken to ensure that there are no voids or gaps in the solder connection so that good RF, DC and ground connections are maintained. Voids or gaps can eventually lead not only to RF performance degradation, but reduced reliability and life of the product due to thermal stress.

### Typical Reflow Profiles

Reflow Profile	SnPb	Pb Free
Ramp Up Rate	3-4 °C/sec	3-4 °C/sec
Activation Time and Temperature	60-120 sec @ 140-160 °C	60-180 sec @ 170-200 °C
Time Above Melting Point	60-150 sec	60-150 sec
Max Peak Temperature	240 °C	265 °C
Time Within 5 °C of Peak	10-20 sec	10-20 sec
Ramp Down Rate	4-6 °C/sec	4-6 °C/sec

**Mimix Lead-Free RoHS Compliant Program** - Mimix has an active program in place to meet customer and governmental requirements for eliminating lead (Pb) and other environmentally hazardous materials from our products. All Mimix RoHS compliant components are form, fit and functional replacements for their non-RoHS equivalents. Lead plating of our RoHS compliant parts is 100% matte tin (Sn) over copper alloy and is backwards compatible with current standard SnPb low-temperature reflow processes as well as higher temperature (260°C reflow) "Pb Free" processes.

### Part Number for Ordering

XR1011-QH-0G00  
XR1011-QH-0G0T  
XR1011-QH-EV1

### Description

Matte Tin plated RoHS compliant 4x4 24L QFN surface mount package in bulk quantity  
Matte Tin plated RoHS compliant 4x4 24L QFN surface mount package in tape and reel  
XR1011-QH evaluation board



Proper ESD procedures should be followed when handling this device.

Mimix Broadband, Inc., 10795 Rockley Rd., Houston, Texas 77099  
Tel: 281.988.4600 Fax: 281.988.4615 mimixbroadband.com

Page 7 of 7