

SMTD-500I

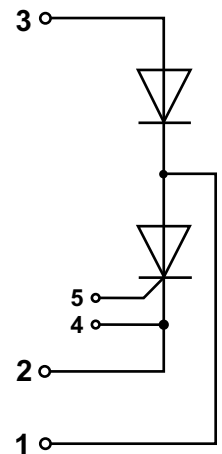
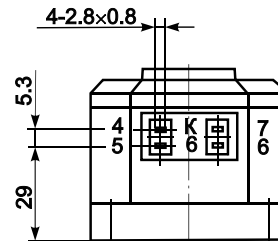
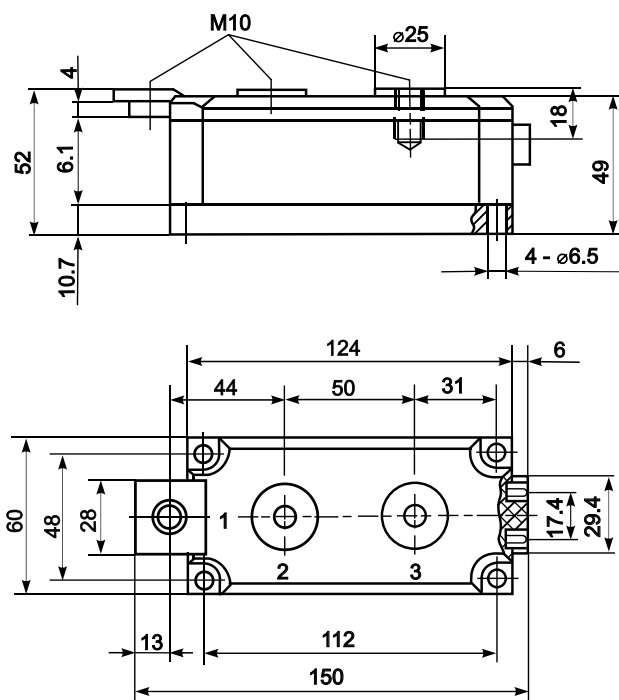


Thyristor-Diode Module



| Type | V_{RSM} | V_{RRM} , V_{DRM} |
|--------------|-----------|--------------------------|
| SMTD-500I-08 | 900 | 800 |
| SMTD-500I-12 | 1300 | 1200 |
| SMTD-500I-14 | 1500 | 1400 |
| SMTD-500I-16 | 1700 | 1600 |
| SMTD-500I-18 | 1900 | 1800 |

| Type | I_{TAVM} , I_{FAVM} | I_{TRMS} , I_{FRMS} | T_c | I_{TSM} , I_{FSM} | $(di/dt)_{cr}$ | $(dv/dt)_{cr}$ | V_{TM} | I_{TM} , I_{FM} | V_{TO} | r_T | t_q | V_{GT} | I_{GT} | T_{VJM} | V_{isol} | R_{thJC} |
|-----------|----------------------------|----------------------------|-------|--------------------------|----------------|----------------|----------|------------------------|----------|-------|-------|----------|----------|-----------|------------|------------|
| | A | A | °C | kA | A/μs | V/μs | V | A | V | mΩ | μs | V | mA | °C | V | K/W |
| SMTD-500I | 500 | 785 | 85 | 15.0 | 100 | 1000 | 1.3 | 1200 | 0.8 | 0.38 | 350 | 2.0 | 300 | 125 | 3600 | 0.072 |



Features:

- Industrial standard package
- Heat transfer through aluminium nitride ceramic isolated metal baseplate
- Precise internal pressure contacts for high reliability
- 3600V RMS isolation voltage

Typical Applications:

- DC motor control
- AC motor soft starter
- Temperature control (e.g. for ovens, chemical processes)
- Lighting control