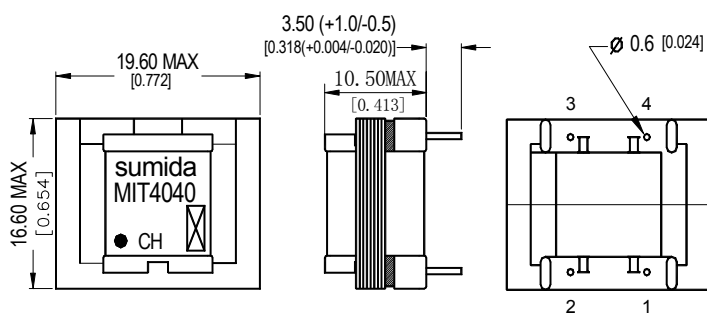
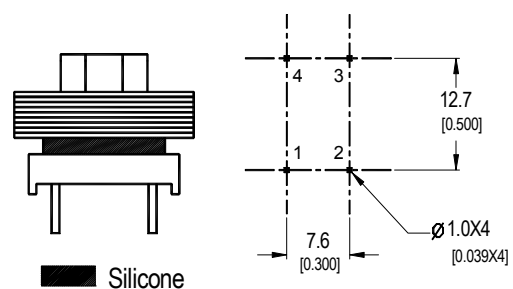
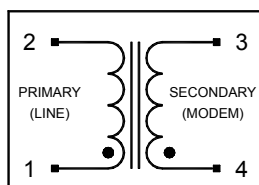


Type: MT1910
◆ Product Description

- 19.6×16.6mm Max.(L×W),10.5mm Max. Height.
- Operating frequency: 4MHz Max.


◆ Feature

- International safety standard approved for reinforced isolation.
- Ideally used in set-top box,FAX,MODEM.
- V.92(56kbps) to V.32bis(14.4kbps).
- RoHS Compliance.

◆ Dimensions (mm)

◆ Land Pattern (mm)

◆ Schematics(Bottom)

◆ Specification(MIT4040)

| PARAMETERS | CONDITIONS | MIN. | TYP. | MAX. | UNITS |
|---------------------------|-----------------------------|------|------|------|-------|
| Impedance | Reflected on primary | — | 600 | — | Ohms |
| | With Load on Secondary | — | 530 | — | Ohms |
| Total Harmonic Distortion | @600Hz, -10dBm | — | -80 | — | |
| Insertion Loss | Per IEEE method;@1000Hz | — | — | 1.00 | dB |
| Dielectric Rating | 1 min | 1500 | — | — | Vrms |
| | Trip Leakage Current | — | — | 200 | Ua |
| DC Resistance @20°C ±10% | Primary Winding | — | 37 | — | Ohms |
| | Secondary Winding | — | 37 | — | Ohms |
| DC Current in Primary | — | — | 0 | — | mAdc |
| Turns Ratio | P Primary to secondary; ±2% | — | 1:1 | — | — |