

Type: FEM-12A

### Product Description

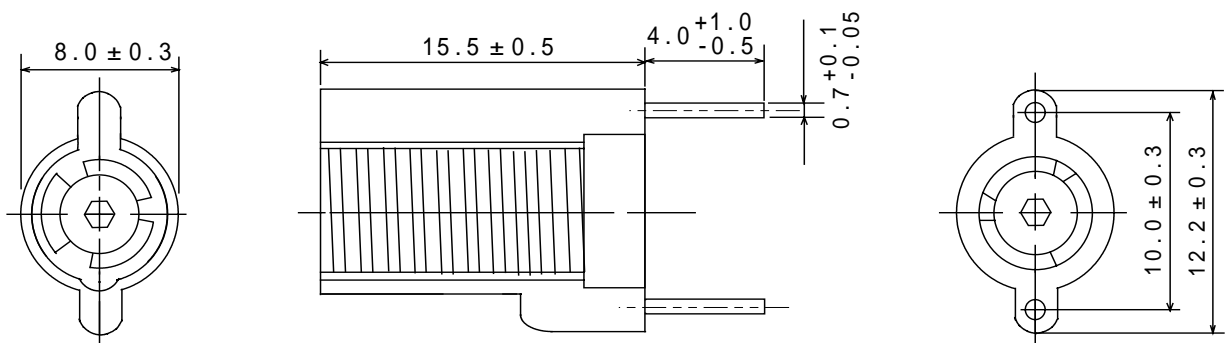
- 12.5 × 8.3mm Max.(L × W), 16.0mm Max. Height.
- Inductance:0.05 ~ 0.4 μ H .
- Operating frequency:200MHz
- In addition to the standard versions of parameters shown here, custom designs are available to meet your exact requirements.



### Feature

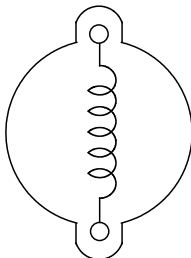
- Variable unshielded type.
- Ideally used in FM Radio ,TV. Transceiver
- RoHS Compliance

### Dimensions (mm)



- \* Dimension does not include solder used on coil.
- \* Pin pitch should be measured at the root of terminal.

### Connection (Bottom View)



**Type: FEM-12A**
**Specification**

Part No.	Color	Turns	Tuning capacitance (80MHz)	Unloaded Q (Min.) (80MHz)
FEM12ANP-2F6	Red	2½T	51pF±5% Variable	140
FEM12ANP-2N6			64pF±10% Within	120
FEM12ANP-3F6	Orange	3½T	34pF±5% Variable	140
FEM12ANP-3N6			46pF±10% Within	140
FEM12ANP-4F6	Yellow	4½T	24pF±5% Variable	160
FEM12ANP-4N6			34pF±10% Within	150
FEM12ANP-5F6	Green	5½T	18pF±5% Variable	160
FEM12ANP-5N6			27pF±10% Within	160
FEM12ANP-6F6	Blue	6½T	15pF±4% Variable	170
FEM12ANP-6N6			24pF±10% Within	165
FEM12ANP-7F6	Purple	7½T	12pF±4% Variable	170
FEM12ANP-7N6			20pF±10% Within	170
FEM12ANP-8F6	Natural	8½T	10pF±4% Variable	165
FEM12ANP-8N6			17pF±10% Within	170

Tuning capacitance measuring allows the screw core to have 2mm Max. fly out from the top of coil.

Adjustable core F: Ferrite core, N: without core.

\* VHF Q-METER to be used when measuring.