

# BRIGHT LED ELECTRONICS CORP.

●Device Number : BPT-BP0331

Page: 2

●Absolute Maximum Rating(Ta=25°C)

Version:1.0

Item	Symbol	Rating	Unit
Power Dissipation	Pd	100	mW
Collector-Emitter Voltage	V <sub>CEO</sub>	30	V
Emitter-Collector Voltage	V <sub>ECO</sub>	5	V
Operating Temperature	Topr	-45 ~ +85	°C
Storage Temperature	Tstg	-45 ~ +100	°C
Soldering Temperature(*1)	Tsol	250	°C

(\*1)、 For 5 Sec

●Electrical And Optical Characteristics(Ta=25°C)

Parameter	Symbol	Test Condition	Min.	Typ.	Max.	Unit
Collector-Emitter Saturation Voltage	V <sub>CE(sat)</sub>	Ic=0.5mA, Ee=0.5mW/cm <sup>2</sup>	—	—	0.5	V
Collector-Emitter Breakdown Voltage	V <sub>(BR)CEO</sub>	Ic=1mA, Ee=0mW/cm <sup>2</sup>	30	—	—	V
Emitter-collector Breakdown Voltage	V <sub>(BR)ECO</sub>	Ie=100 μA, Ee=0mW/cm <sup>2</sup>	5	—	—	V
Light Current	Ic(on)	Vce=5V, Ee=0.5mW/cm <sup>2</sup>	0.40	0.65	—	mA
Dark Current	Id	Vce=10V, Ee=0mW/cm <sup>2</sup>	—	—	100	nA
Rise Time	Tr	F=100Hz, Vce=5V, RL=1kΩ	—	10	—	μs
Fall Time	Tf		—	15	—	μs
Viewing Angle	2θ1/2	Vce=5V, Ee=0.5mW/cm <sup>2</sup>	—	30	—	deg

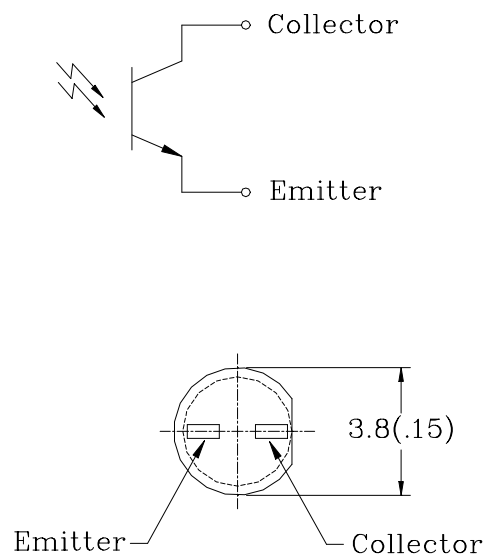
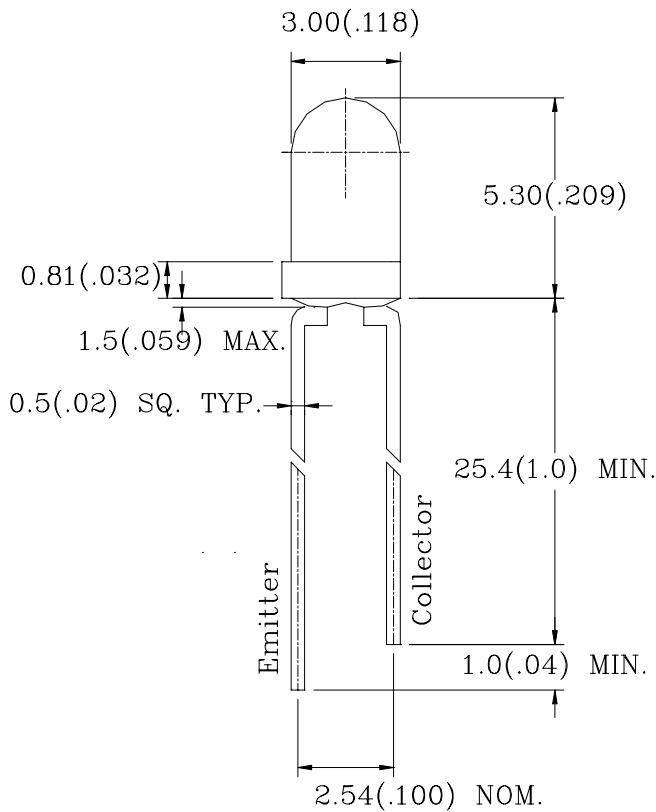
# BRIGHT LED ELECTRONICS CORP.

●Device Number:BPT-BP0331

Page: 3

●Dimensions

Version:1.0



## Notes:

- 1、 All dimensions are in millimeters (inches).
- 2、 Tolerance is  $\pm 0.25\text{mm}$  ( $0.01''$ ) unless otherwise specified.
- 3、 Lead spacing is measured where the leads emerge from the package.
- 4、 Specifications are subject to change without notice.

# BRIGHT LED ELECTRONICS CORP.

●Device Number:BPT-BP0331

Page: 4

●Electrical And Optical Curves(Ta=25°C)

Version:1.1

FIG.1 Dark Current Vs. Ambient Temperature

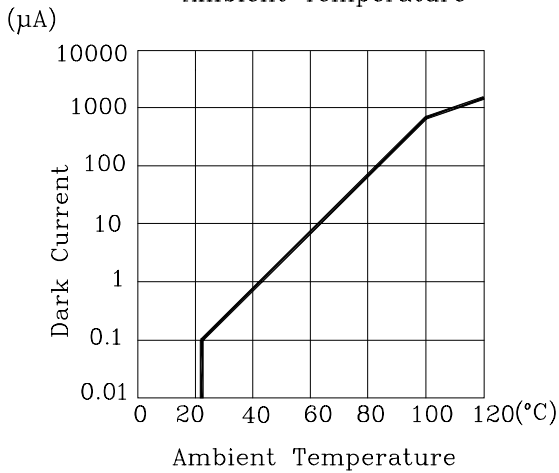


FIG.2 Power Dissipation Vs. Ambient Temperature

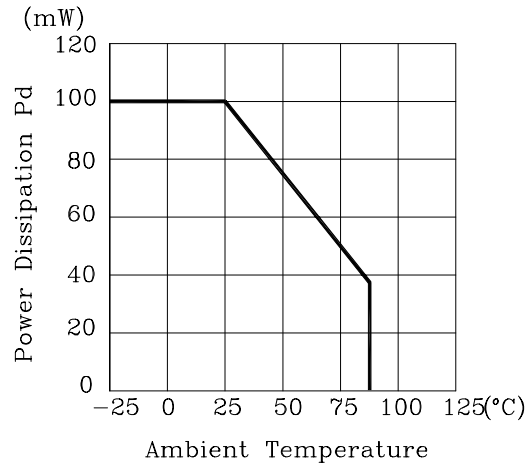


FIG.3 Rise And Fall Time Vs. Load Resistance

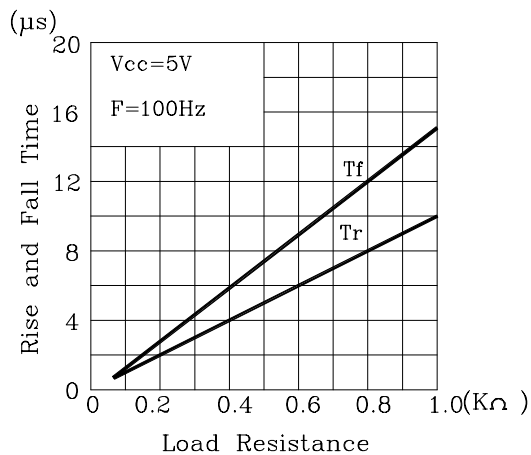


FIG.4 Relative Collector Current Vs. Irradiance

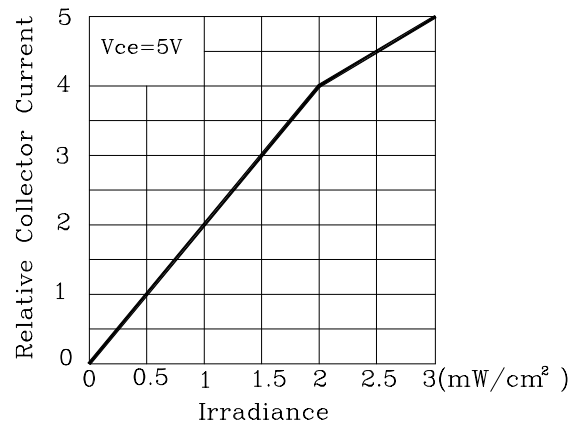


FIG.5 Radiation Diagram

