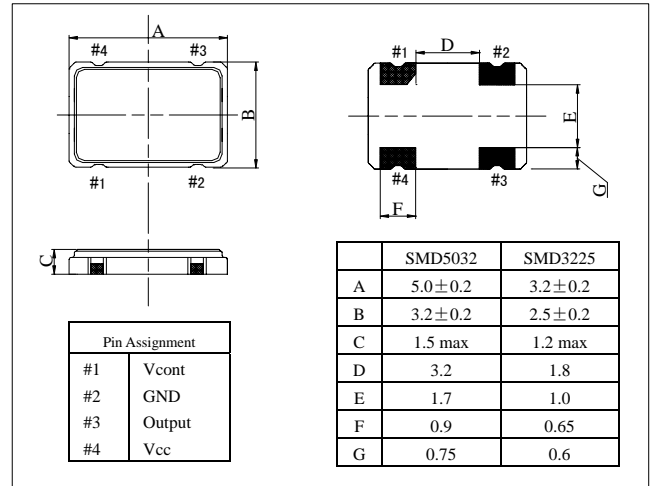
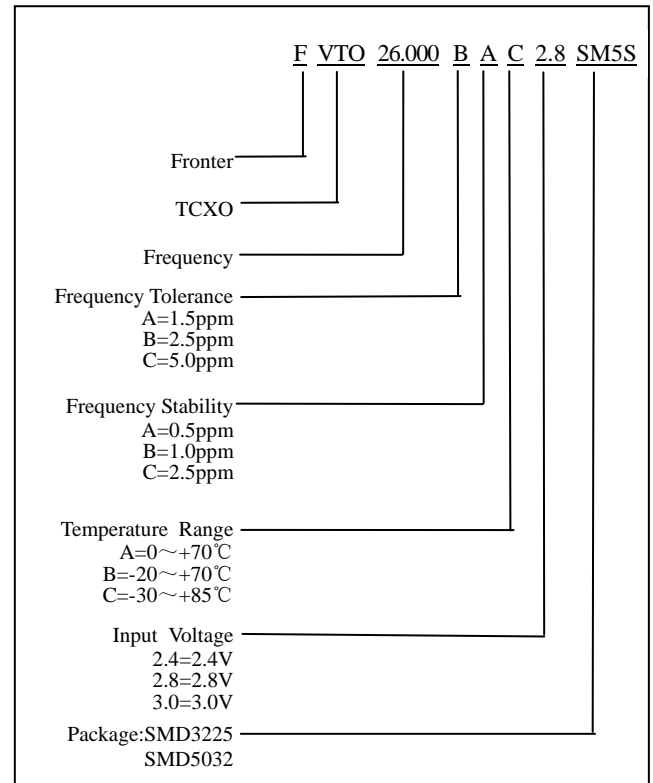
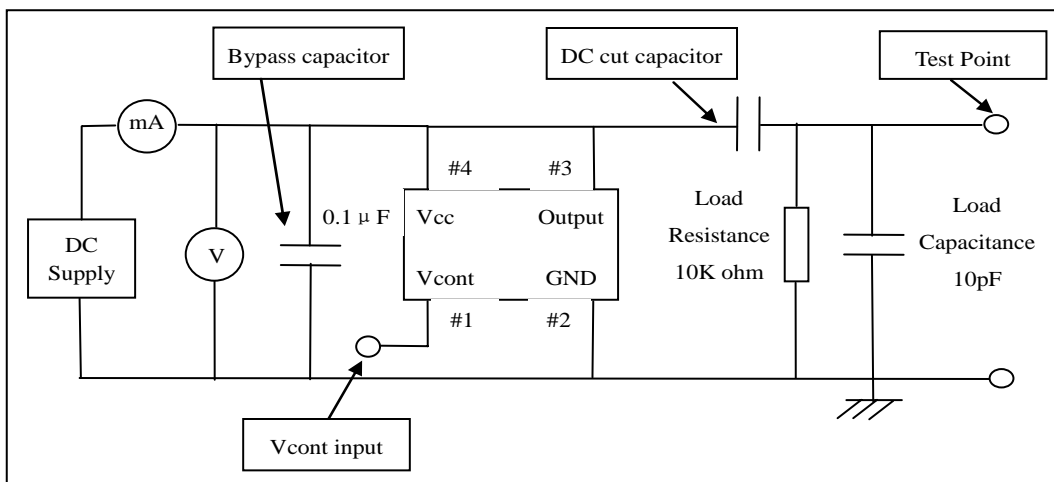


**VCTCXO FOR MOBILE PHONE**
**手机用温补晶体振荡器**
**FVTO321S/FVTO531S TYPE**
**★ DIMENSIONS (Unit: mm) 外形尺寸**

**★ PARAMETERS 技术参数**

PARAMETER	参数	SPECIFICATION 规格	CONDITION 条件
Frequency Range	频率范围	13MHz /19.2MHz/ 26MHz	
Supply voltage	工作电压 Vcc	2.4~3.0V	
Control voltage	控制电压	0~Vcc	
Output Waveform	输出波形	Clipped Sine Wave	
Output Level	输出幅度	0.8 Vp-p	
Input Current	输入电流	1.5 mA Max	
Operating Temp. Range	工作温度范围	-30~+75℃	
Storage Temp. Range:	储存温度范围	-40~+85℃	
Frequency Adjustment	频率调节	+10~+20ppm -10~-20ppm	Referenced to Vcont=1.1V Vcont+1.0V Vcont-1.0V
Frequency Tolerance	频率偏差	±2.5ppm Max	25℃, After Reflow
Frequency Stability	频率稳定度		
vs. Temperature	vs.温度	±2.5ppm Max	Referenced to the mid point between min. and max. frequency
vs. Supply Voltage	vs.工作电压	±0.3ppm Max	Vcc±5%
vs. Load	vs.负载	±0.2ppm Max	10K Ω //10pF±10%
vs. Aging	vs.老化	±1.0ppm Max	1 Year
Start Up Time	起振时间	4 msec Max	<±2.5ppm
Phase Noise	相位噪声		
		-110 dBc/Hz Max	100 Hz offset
		-130 dBc/Hz Max	1K Hz offset


**★ TEST CIRCUIT 测试原理图**


© All specification subject change without notice. 规格变化, 恕不另行通知。