

STRUCTURE	Silicon Monolithic Integrated Circuit
TYPE	Reversible Motor Driver
PRODUCT SERIES	B D 6 9 4 1 F M
FEATURES	<ul style="list-style-type: none"> •DMOS H bridge output / Four output states by two control logic inputs •Low standby current

●Absolute Maximum Ratings (Ta=25°C)

PARAMETER	SYMBOL	LIMIT	UNIT
SUPPLY VOLTAGE	Vcc	50	V
INPUT VOLTAGE	V _{INP} , V _{INN}	-0.3~20	V
OUTPUT CURRENT	I _o	1.25 *1	A
POWER DISSIPATION	Pd	2.8 *2	W
OPERATING TEMPERATURE	Topr	-40~105	°C
STORAGE TEMPERATURE	Tstg	-55~150	°C
JUNCTION TEMPERATURE	Tjmax	150	°C

- *1 Not to exceed Pd and ASO.
- *2 Mounted on a glass epoxy PCB (70mm × 70mm × 1.6mm).
To use at temperature above Ta=25°C reduce 22.4mW/°C.

●Operating Range (Ta=25°C)

PARAMETER	SYMBOL	LIMIT	UNIT
SUPPLY VOLTAGE	Vcc	8.0~16.0	V

*Status of this document

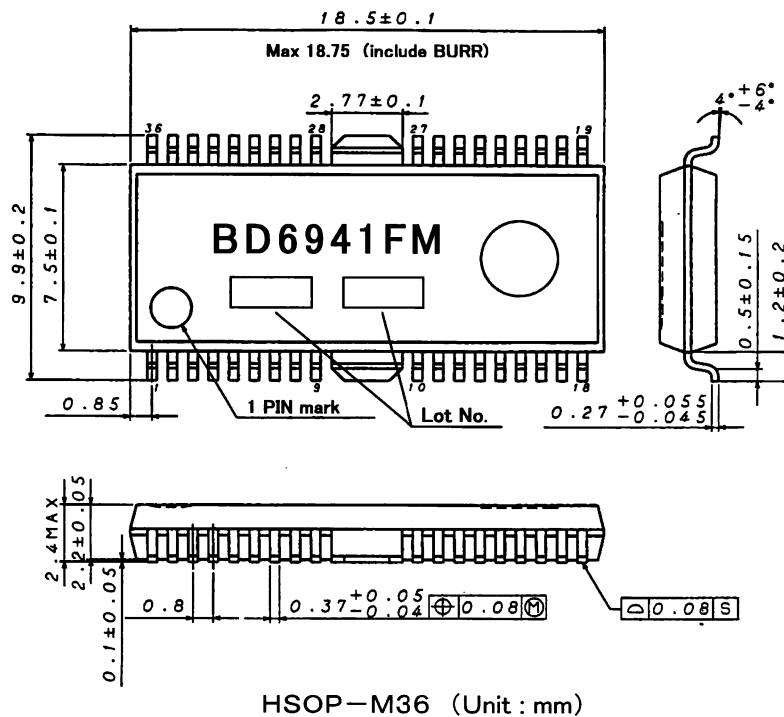
The Japanese version of this document is the formal specification.
A customer may use this translation version only for a reference to help reading the formal version.
If there are any differences in translation version of this document, formal version takes priority.

●Electrical Characteristics (Unless otherwise specified, $V_{CC}=8V\sim 16V$, $T_a=-40^{\circ}C\sim 105^{\circ}C$)

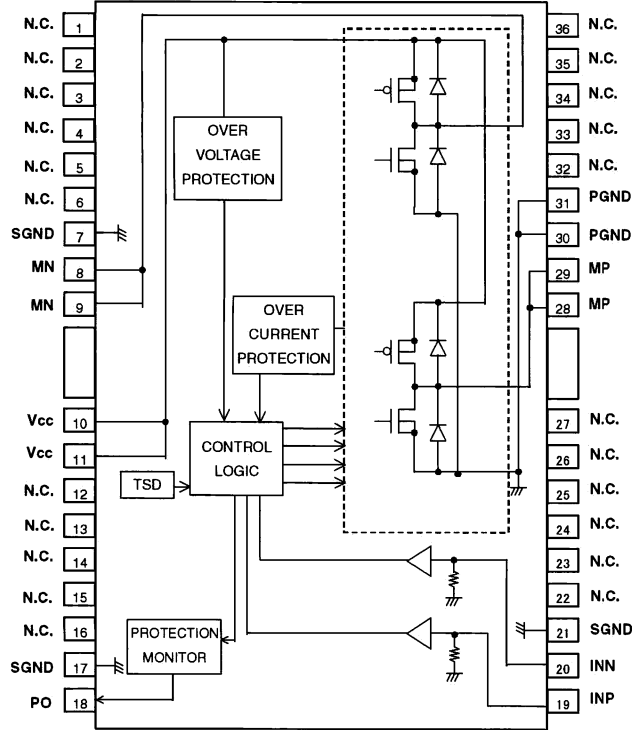
PARAMETER	SYMBOL	LIMIT			UNIT	CONDITIONS
		MIN.	TYP.	MAX		
Circuit current 1	I _{CC1}	-	0	10	μA	Standby mode
Circuit current 2	I _{CC2}	-	3	8	mA	Forward or reverse mode
Circuit current 3	I _{CC3}	-	3	8	mA	Brake mode
Input Voltage "H" level	V _{IH}	3.0	-	-	V	
Input Voltage "L" level	V _{IL}	-	-	1.0	V	
"H" level input current	I _{IH}	-	50	100	μA	V _{IN} =5.0V, flowing in current
"L" level input current	I _{IL}	-	0	10	μA	V _{IN} =0V, flowing out current
Output on voltage 1	V _{ON1}	-	0.84	1.5	V	V _{CC} =12V, I _O =0.5A, total drop
Output on voltage 2	V _{ON2}	-	-	1.7	V	V _{CC} =8~16V, I _{OUT} =0.5A, total drop
Output leakage current "H"	I _{LH}	-	0	10	μA	V _{OUT} =0V
Output leakage current "L"	I _{LL}	-	0	10	μA	V _{OUT} =V _{CC}
Upper free-wheeling diode forward voltage	V _{FH}	0.3	1.0	1.5	V	I _F =0.6A
Lower free-wheeling diode forward voltage	V _{FL}	0.3	1.0	1.5	V	I _F =0.6A
Protection monitor voltage	V _{LPO}	-	-	0.6	V	I _{PO} =3mA
Protection monitor leakage current	I _{LPO}	-	0	10	μA	V _{PO} =V _{CC}
Over current protection switch on current	I _{OC}	1.5	-	3.5	A	
Over Voltage Lockout lockout switch on voltage	V _{OVP}	25	30	35	V	

◎This product is not designed for protection against radioactive rays.

●Package



● Block Diagram



● Terminal Function Table

PIN No.	Terminal Name
1-6	N.C.
7	SGND
8	MN
9	MN
10	Vcc
11	Vcc
12-16	N.C.
17	SGND
18	PO
19	INP
20	INN
21	SGND
22-27	N.C.
28	MP
29	MP
30	PGND
31	PGND
32-36	N.C.

● Operating Notes

1) Absolute maximum ratings

Use of the IC in excess of absolute maximum ratings such as the applied voltage or operating temperature range may result in IC damage. Assumptions should not be made regarding the state of the IC (short mode or open mode) when such damage is suffered. A physical safety measure such as a fuse should be implemented when use of the IC in a special mode where the absolute maximum ratings may be exceeded is anticipated.

2) GND potential

Ensure a minimum GND pin potential in all operating conditions.

3) Thermal design

Use a thermal design that allows for a sufficient margin in light of the power dissipation (Pd) in actual operating conditions.

4) Pin short and mistake mounting

Use caution when orienting and positioning the IC for mounting on printed circuit boards. Improper mounting may result in damage to the IC. Shorts between output pins and the power supply and GND pins caused by the presence of a foreign object may result in damage to the IC. Ensure a minimum GND pin potential in all operating conditions.

5) Actions in strong magnetic field

Keep in mind that the IC may malfunction in strong magnetic fields.

6) Testing on application boards

When testing the IC on an application board, connecting a capacitor to a pin with low impedance subjects the IC to stress. Always discharge capacitors after each process or step. Always turn the IC's power supply off before connecting it to or removing it from a jig or fixture during the inspection process. Ground the IC during assembly steps as an antistatic measure, and use similar caution when transporting or storing the IC.

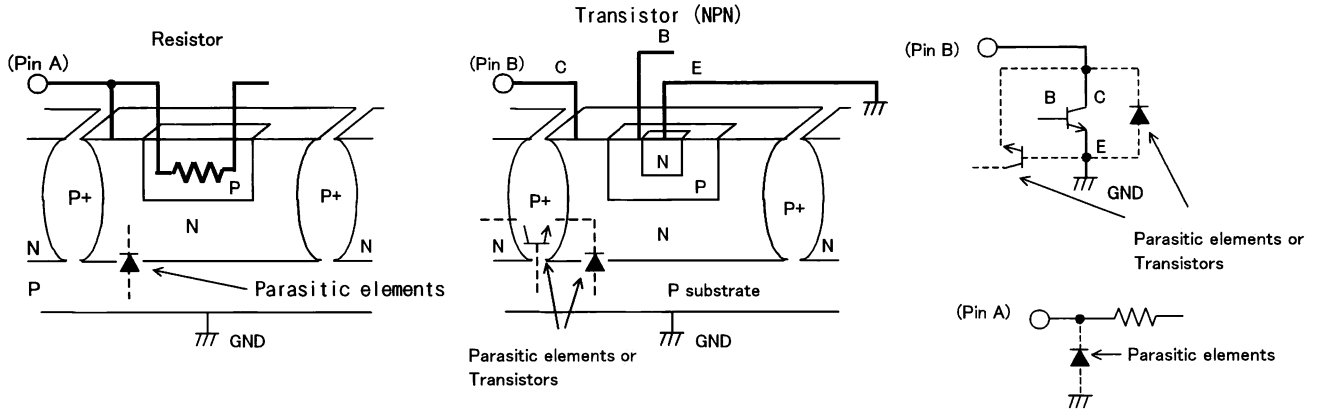
7) IC terminal input voltage

This monolithic IC contains P+ isolation and P substrate layers between adjacent elements in order to keep them isolated. P/N junctions are formed at the intersection of these P layers with the N layers of other elements to create a variety of parasitic elements. For example, when the resistors and transistors are connected to the pins as shown in the following figure,

- The P/N junction functions as a parasitic diode when GND > Pin A for the resistor or GND > Pin B for the transistor(NPN).

○Similarly, when $GND > Pin\ B$ for the transistor (NPN), the parasitic diode described above combines with the N layer of other adjacent elements to operate as a parasitic NPN transistor.

The formation of parasitic elements as a result of the relationships of the potentials of different pins is an inevitable result of the IC's architecture. The operation of parasitic elements can cause interference with circuit operation as well as IC malfunction and damage. For these reasons, it is necessary to use caution so that the IC is not used in a way that will trigger the operation of parasitic elements, such as by the application of voltages lower than the GND (P substrate) voltage to input pins.



8) Input terminals

Do not apply the voltage to input pin when the V_{cc} is not applied. And when the V_{cc} is applied, the voltage of input pin must not exceed V_{cc} . It is feared that output get malfunction, as input voltage is swept slowly near the H, L threshold voltage. Please pay attention to input slew rate.

9) Back electro motive force (BEMF)

There is a possibility that the BEMF is changed by use of the operating condition, environment and the individual characteristics of motor. Please make sure there is no problem of operating the IC although the BEMF is occurred.

10) The note of pattern design at printed circuit

This IC flows large current between power supply for motor division and GND. So, it is feared that get undesirable result malfunction, oscillation and so on, as input lines is affected by large output current. Please consider pattern design at printed circuit doesn't have common impedance on output large current lines-input lines. Please consider to keep low impedance of power supply for fear of oscillation from power supply high impedance, also.

11) Rash current

This IC doesn't have current limit circuit for rash current. Therefore physical security countermeasure, like current limit resistor is to be given.

12) Thermal shutdown circuit

This IC incorporates a built-in TSD circuit for the protection from thermal destruction. The IC should be used within the specified power dissipation range. However, in the event that the IC continues to be operated in excess of its power dissipation limits, the attendant rise in the junction temperature (T_j) will trigger the TSD circuit to turn off all output power elements. The circuit automatically resets once the junction temperature (T_j) drops. Operation of the TSD circuit presumes that the IC's absolute maximum ratings have been exceeded. Application designs should never make use of the TSD circuit.

13) Over voltage lock out function

This IC has the function of turning off the output when detecting the over voltage. More than 30V(typ.) triggers this function. But in the standby mode, this function does not work. Although this IC has over voltage lockout function, the voltage that exceeds absolute maximum ratings might destroy the IC. Please do not exceed the absolute maximum ratings.

14) Over current protection

This IC has the function of turning off the output when detecting the over current. More than 2.25A(typ.) triggers this function. When detecting the over current for 10 μ sec(typ.), this function turns off the output(output terminals become Hi-impedance) for 290 μ sec(typ.). After the period of turning off time (290 μ sec), the output current recovers. But if the over current is still detected, this function will work again. This function is for protecting IC because of the output short etc. but the continuing detection of over current might cause the extreme heat and damage the IC. It is recommended to change the IC's state to standby mode by the application. And please pay attention to the power dissipation.

Notes

- No technical content pages of this document may be reproduced in any form or transmitted by any means without prior permission of ROHM CO.,LTD.
- The contents described herein are subject to change without notice. The specifications for the product described in this document are for reference only. Upon actual use, therefore, please request that specifications to be separately delivered.
- Application circuit diagrams and circuit constants contained herein are shown as examples of standard use and operation. Please pay careful attention to the peripheral conditions when designing circuits and deciding upon circuit constants in the set.
- Any data, including, but not limited to application circuit diagrams information, described herein are intended only as illustrations of such devices and not as the specifications for such devices. ROHM CO.,LTD. disclaims any warranty that any use of such devices shall be free from infringement of any third party's intellectual property rights or other proprietary rights, and further, assumes no liability of whatsoever nature in the event of any such infringement, or arising from or connected with or related to the use of such devices.
- Upon the sale of any such devices, other than for buyer's right to use such devices itself, resell or otherwise dispose of the same, no express or implied right or license to practice or commercially exploit any intellectual property rights or other proprietary rights owned or controlled by
- ROHM CO., LTD. is granted to any such buyer.
- Products listed in this document are no antiradiation design.

The products listed in this document are designed to be used with ordinary electronic equipment or devices (such as audio visual equipment, office-automation equipment, communications devices, electrical appliances and electronic toys).

Should you intend to use these products with equipment or devices which require an extremely high level of reliability and the malfunction of which would directly endanger human life (such as medical instruments, transportation equipment, aerospace machinery, nuclear-reactor controllers, fuel controllers and other safety devices), please be sure to consult with our sales representative in advance.

It is our top priority to supply products with the utmost quality and reliability. However, there is always a chance of failure due to unexpected factors. Therefore, please take into account the derating characteristics and allow for sufficient safety features, such as extra margin, anti-flammability, and fail-safe measures when designing in order to prevent possible accidents that may result in bodily harm or fire caused by component failure. ROHM cannot be held responsible for any damages arising from the use of the products under conditions out of the range of the specifications or due to non-compliance with the NOTES specified in this catalog.

Thank you for your accessing to ROHM product informations.

More detail product informations and catalogs are available, please contact your nearest sales office.

ROHM Customer Support System

THE AMERICAS / EUROPE / ASIA / JAPAN

www.rohm.com

Contact us : webmaster@rohm.co.jp