



# TMX W316

SAW Bandpass Filter – eGSM Rx – RF  
*Specification (Rev 2)*

---

▣ Features.....	P01
▣ Package Drawing & Pin out.....	P01
▣ Technical Characteristics .....	P02
▣ Matching Network.....	P02
▣ Nominal Response.....	P03
▣ Maximum Ratings.....	P04
▣ Marking & Packaging .....	P04

# TMX W316

## SAW Bandpass Filter – eGSM Rx – RF

Specification (Rev 2)

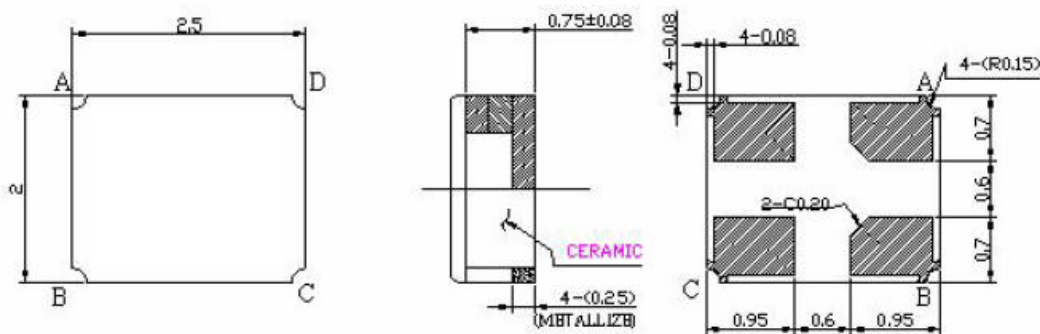
September 25<sup>th</sup>, 2005

### Features

- ❑ Rx Filter for eGSM
- ❑ 942,5 MHz Center Frequency
- ❑ 35 MHz useable Passband
- ❑ 50 W Single Configuration
- ❑ Ceramic Package for Surface Mounted Technology

### Package Drawing & Pin out

The product is in conformance with the European RoHs Regulation 2002/95.



Pin Configuration	
Input	B
Output	D
Case ground	A, C

# TMX W316

## SAW Bandpass Filter – eGSM Rx – RF

Specification (Rev 2)

September 25<sup>th</sup>, 2005

### Technical Characteristics

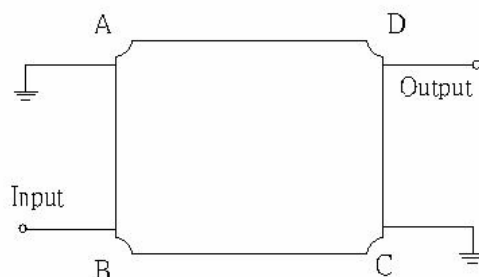
Reference Temperature : +25°C

Electrical Parameters	Unit	Minimum	Typical <sup>(1)</sup>	Maximum
Source Impedance (single ended)	Ω	-	50 <sup>(2)</sup>	-
Load Impedance (single ended)	Ω	-	50 <sup>(2)</sup>	-
Center Frequency $f_0$	MHz	-	942.5	-
Bandwidth at -3 dB	MHz	35	-	-
<b>Absolute attenuation</b>				
DC to 750 MHz	dB	50	60	-
750 MHz to 880 MHz	dB	43	50	-
880 MHz to 905 MHz	dB	31	42	-
980 MHz to 1005 MHz	dB	21	28	-
1005 MHz to 1025 MHz	dB	28	33	-
1025 MHz to 1035 MHz	dB	35	49	-
1035 MHz to 1760 MHz	dB	40	50	-
1760 MHz to 3000 MHz	dB	25	31	-
Insertion Loss within 925 MHz ~ 960 MHz	dB	-	3.0	4.0
VSWR within 925 MHz ~ 960 MHz		-	2.0	2.6
Ripple within 925 MHz ~ 960 MHz	dB	-	1.3	2.3

Notes :

- (1) Typical values are nominal performances at room temperature.
- (2) No external matching network is required.
- (3) The amplitude variation is defined as the maximum level – minimum level over the given bandwidth.

### Matching Network



# TMX W316

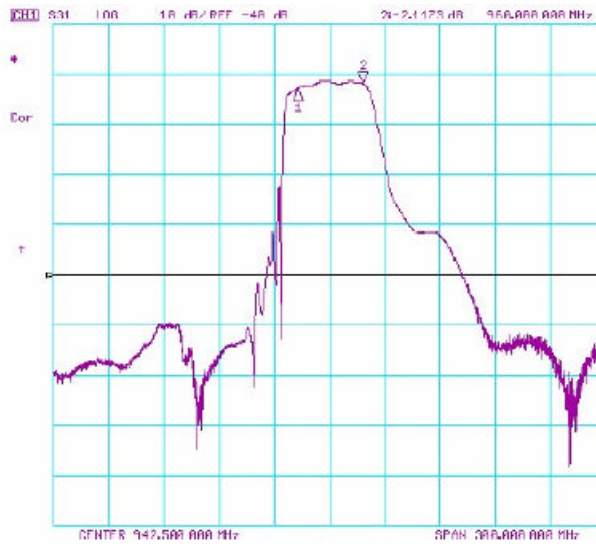
## SAW Bandpass Filter – eGSM Rx – RF

Specification (Rev 2)

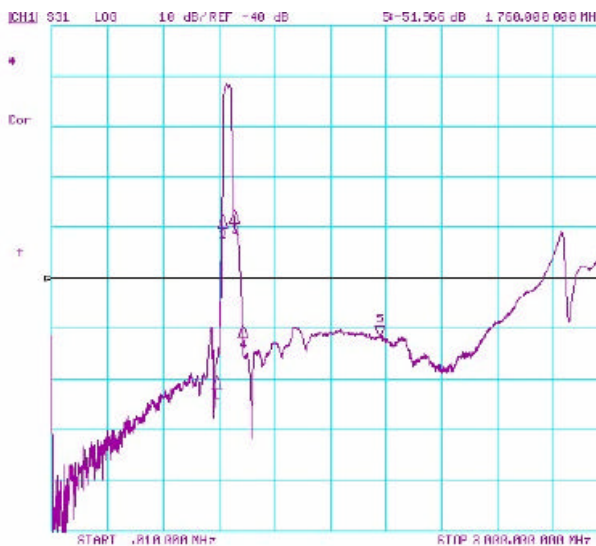
September 25<sup>th</sup>, 2005

**Nominal Frequency Response (Measurements)**

**Frequency Response**



**Frequency Response**



# TMX W316

## SAW Bandpass Filter – eGSM Rx – RF

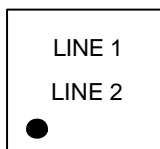
Specification (Rev 2)

September 25<sup>th</sup>, 2005

### Maximum Ratings

Operating Temperature Range	°C	[-30°C ; +80°C]
Storage Temperature Range	°C	[-40°C ; +85°C]
DC voltage between any two pins	V	0
Input Power Level	dBm	15

### Marking



Line 1: "P C" with P for the code product identification and C for the partner identifier

Line 2: "Y W" with Y for the last digit of the year and W for the week code (A to Z for the week 1 to 26 and a to z for the week 27 to 52).

### Packaging

1. Temex label
2. ESD Prevention label
3. Pb free label (if applicable)

