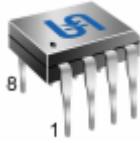




TS258

Dual Operating Amplifier

SOP-8**DIP-8**

Pin assignment:

1. Output
2. Input A (-)
3. Input A (+)
4. Gnd
5. Input B (+)
6. Input B (-)
7. Output B
8. Vcc

Supply Voltage Range 3 V to 32V
Dual Channel Amplifier

General Description

Utilizing the circuit designs perfected for recently introduced Quad Operational Amplifiers, these dual operational amplifiers have several distinct advantages over standard operational amplifier types in single supply applications. They can operate at supply voltages as low as 3.0 Volts or as high as 32 Volts with quiescent currents about one fifth of those associated with the LM741 (on a per amplifier basis). The common mode input range includes the negative supply, thereby eliminating the necessity for external biasing components in many applications.

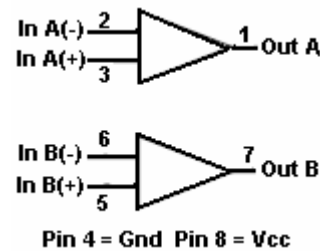
The TS258 is equivalent to one half of TS224, and output voltage range also includes the negative supply voltage.

The TS258 is offered in 8 pin SOP-8 and DIP-8 package.

Features

- ◇ Short circuit protected outputs
- ◇ True differential input stage
- ◇ Single supply operation: 3V to 32V
- ◇ Low input bias currents
- ◇ Internally compensated
- ◇ Common mode range extends to negative supply
- ◇ Single and split supply operation
- ◇ Similar performance to the popular MC1558

Block Diagram



Ordering Information

Part No.	Operating Temp.	Package
TS258CD	-40 ~ +85 °C	DIP-8
TS258CS		SOP-8

Absolute Maximum Rating

Supply Voltage	Vcc, Vcc/Vee	+32 or ±16	Vdc
Differential Input Voltage (note 1)	V _{IDR}	32	Vdc
Input Common Mode Voltage Range (note 2)	V _{ICR}	-0.3 to 32	Vdc
Input Forward Current (note 3)	I _{IF}	50	mA
Output Short Circuit Duration	I _{SC}	Continuous	mA
Power Dissipation @ Ta=25 °C		570	mW
Derate above 25 °C	1/Rθja	5.7	mW/°C
Operating Junction Temperature Range	T _J	0 ~ +125	°C
Storage Temperature Range	T _{STG}	-65 ~ +150	°C

NOTE :

1. Split Power Supplies.
2. For supply. Voltages less than 32V for the PJ358 the absolute maximum input voltage is equal to the supply voltage.
3. This input current will only exist when the voltage is negative at any of the input leads. Normal output states will reestablish when the input voltage returns to a voltage greater than -0.3V.



Electrical Characteristics

($V_{CC} = 5V$, $T_a = 25^\circ C$; unless otherwise specified.)

Characteristics	Symbol	Min	Typ	Max	Unit
Input Offset Voltage $V_{CC} = 5.0V$ to $30V$, $V_{IC} = 0V$ to $V_{CC} - 1.7V$, $V_O = 1.4V$, $R_S = 0\Omega$ $T_{LOW} \leq T_a \leq T_{HIGH}$	V_{io}	--	2.0	5.0	mV
Average Temperature Coefficient of Input Offset Voltage	$\Delta I_{io} / \Delta T$	--	7.0	--	$\mu V / ^\circ C$
Input Offset Current $T_{LOW} \leq T_a \leq T_{HIGH}$	I_{io}	--	5.0	50	nA
Average Temperature Coefficient of input Offset Current	$\Delta I_{io} / \Delta T$	--	10	--	$pA / ^\circ C$
Input Bias Current $T_{LOW} \leq T_a \leq T_{HIGH}$	I_{IB}	--	45	-250	μA
Input Common-Mode Voltage Range (Note1) $V_{CC} = 30V$ $V_{CC} = 30V$, $T_{LOW} \leq T_a \leq T_{HIGH}$	V_{ICR}	0	--	28.3	V
Differential Input Voltage Range	V_{IDR}	--	--	V_{CC}	V
Large Signal Open-Loop Voltage Gain $R_L = 2.0K$, $V_{CC} = 15V$, For Large V_O Swing, $T_{LOW} \leq T_a \leq T_{HIGH}$	A_{VOL}	25	100	--	V/mV
Channel Separation 1.0 KHz to 20KHz	--	--	-120	--	dB
Common Mode Rejection Ratio $R_S \leq 10k\Omega$	CMRR	65	70	--	dB
Power Supply Rejection Ratio	PSRR	65	100	--	dB
Output Voltage Range, $R_L = 2K\Omega$	V_{OR}	0	--	3.3	V
Output Voltage -- High Limit $V_{CC} = 30V$, $R_L = 2k\Omega$ $V_{CC} = 30V$, $R_L = 10k\Omega$	V_{OH}	26	--	--	V
Output Voltage -- Low Limit $V_{CC} = 5.0V$, $R_L = 10k\Omega$	V_{OL}	--	5.0	20	mV
Output Source Current $V_{ID} = +1.0V$, $V_{CC} = 15V$	I_{O+}	20	40	--	mA
Output Sink Current $V_{ID} = -1.0V$, $V_{CC} = 15V$ $V_{ID} = -1.0V$, $V_O = 200mV$	I_{O-}	10	20	--	mA
Output Short Circuit to Ground (Note 2)	I_{OS}	--	40	60	mA
Power Supply Current , $V_{CC} = 30V$, $V_O = 0V$, $R_L = \infty$ $V_{CC} = 5.0V$, $V_O = 0V$, $R_L = \infty$	I_{CC}	--	1.5	3.0	mA

Notes :

- The input common mode voltage or either input signal voltage should not be allowed to go negative by more than 0.3 V. The upper end of the common mode voltage range is $V_{CC} 17V$, but either or both inputs can go to $+32V$.
- Short circuits from the output to V_{CC} can cause excessive heating and eventual destruction. Destructive dissipation can recruit from simultaneous shorts on all amplifiers.

Circuit Description

The TS258 made using two internally compensated, two-stage operational amplifiers. The first stage performs not only the first stage gain function but also performs the level shifting and transconductance reduction functions. By reducing the transconductance, a smaller compensation capacitor (only 5.0pF) can be employed, thus saving chip area. Another feature of this input stage is that the input common mode range can include the negative supply or ground, in single supply operation, without saturating either the input devices or the differential to single-ended converter. The second stage consists of a standard current source load amplifier stage.

Each amplifier is biased from an internal-voltage regulator, and which has a low temperature coefficient thus giving each amplifier good temperature characteristics as well as excellent power supply rejection.

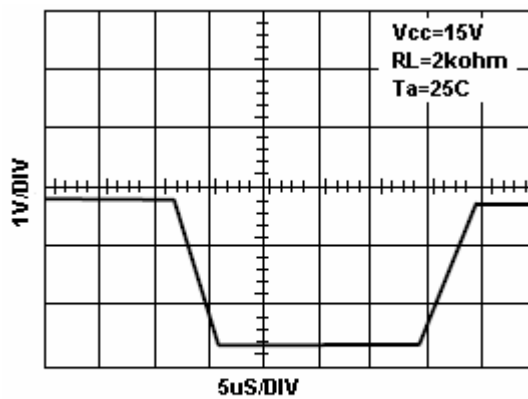


Figure 1. large signal voltage follower response

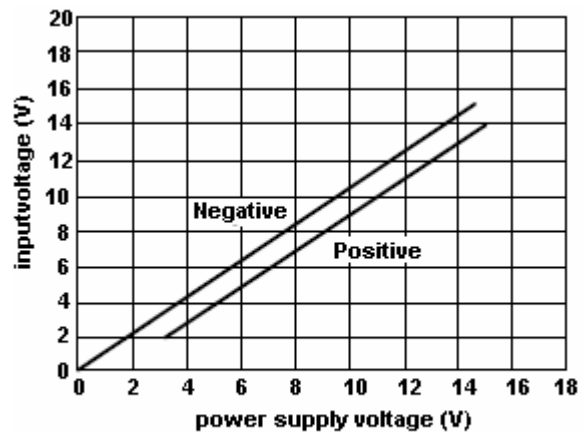


Figure 2. input voltage range

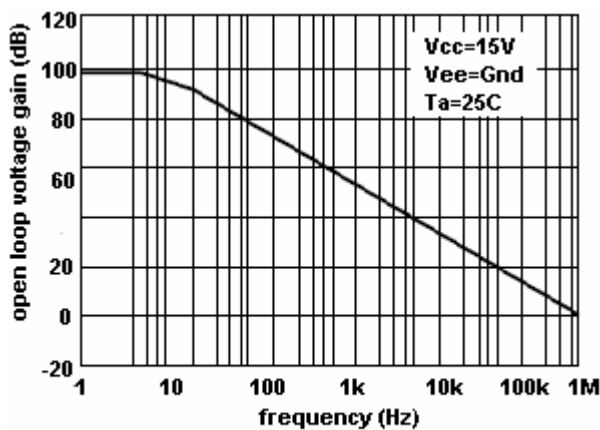


Figure 3. large signal open loop voltage gain

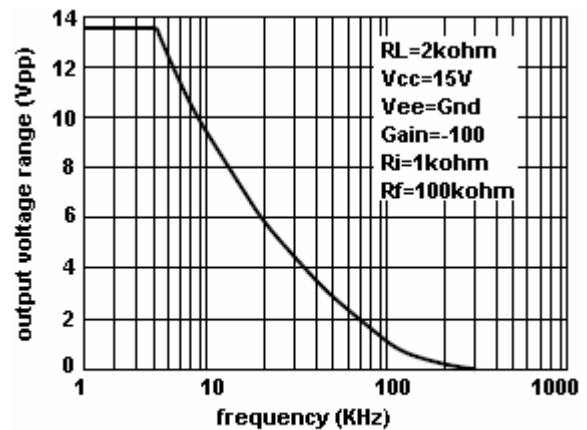


Figure 4. larger signal frequency response

Circuit Description

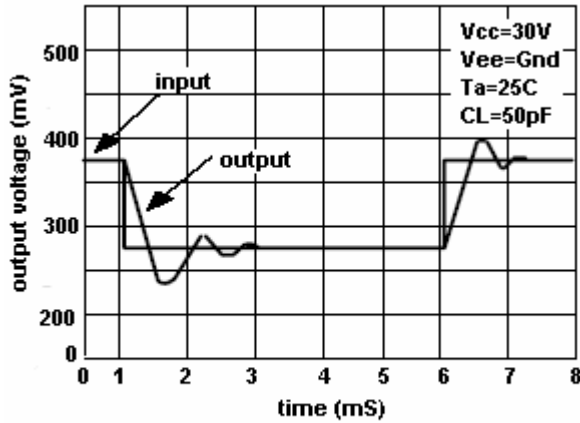


Figure 5. small signal voltage follower pulse response (noninverting)

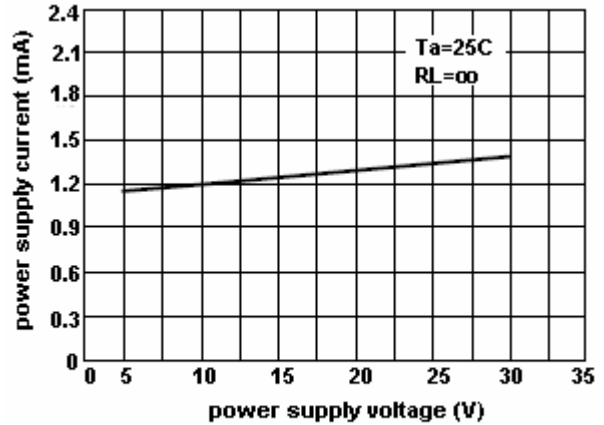


Figure 6. power supply current vs supply voltage

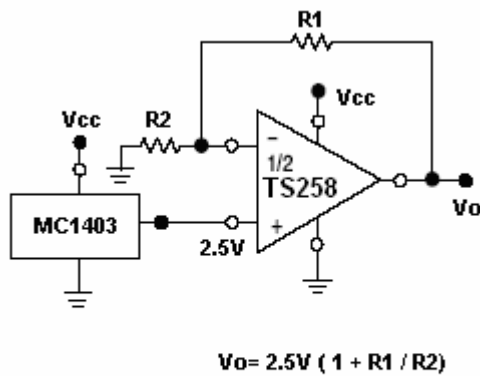


Figure 7. voltage reference

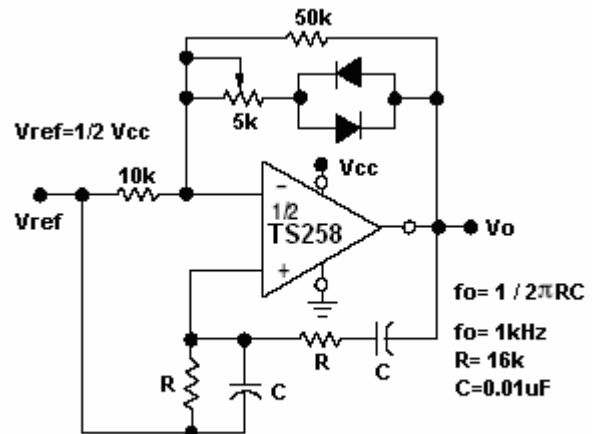


Figure 8. wien bridge oscillator

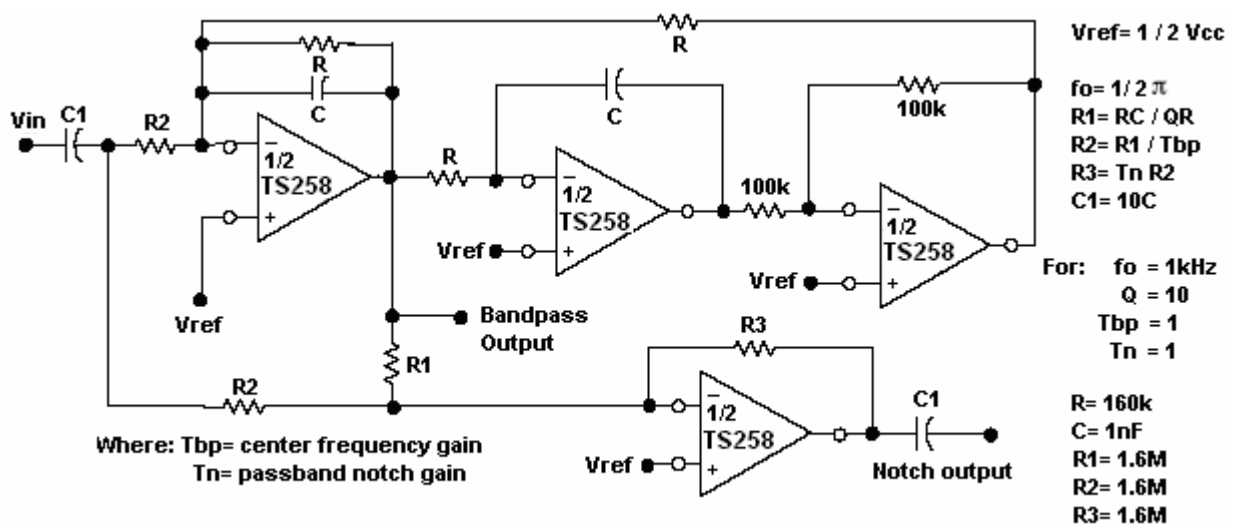


Figure 9. bi-quad filter

Electrical Characteristics Curve

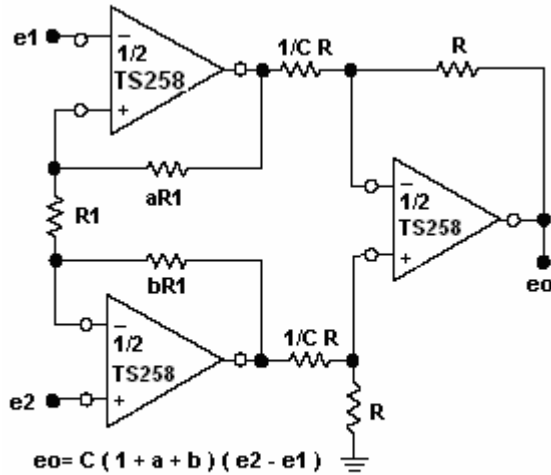
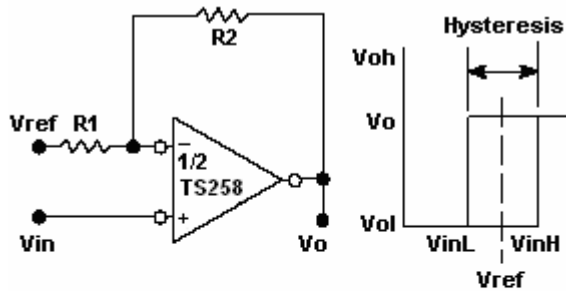


Figure 10. high impedance differential amplifier



$$VinL = R1 / (R1 + R2) * (Vol - Vref) + Vref$$

$$VinH = R1 / (R1 + R2) * (Voh - Vref) + Vref$$

$$H = R1 / (R1 + R2) * (Voh - Vol)$$

Figure 11. comparator with hysteresis

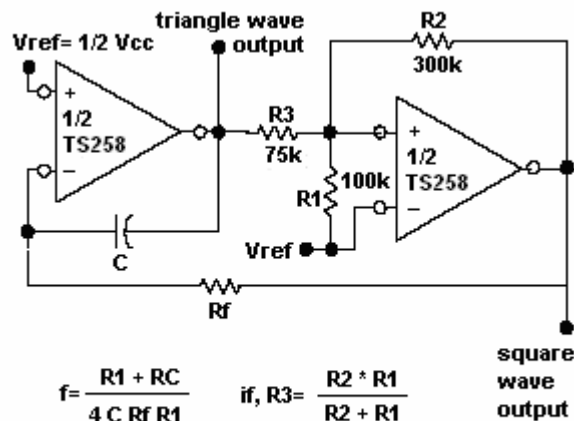
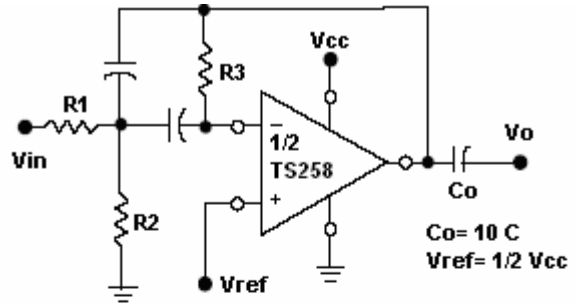


Figure 12. function generator



Given: f_o = center frequency
 $A(f_o)$ = gain at center frequency

Choose value f_o, C

Then: $R3 = Q / \pi f_o C$

$$R1 = R3 / 2A(f_o)$$

$$R2 = R1 * R2 / 4Q^2 * R1 - R3$$

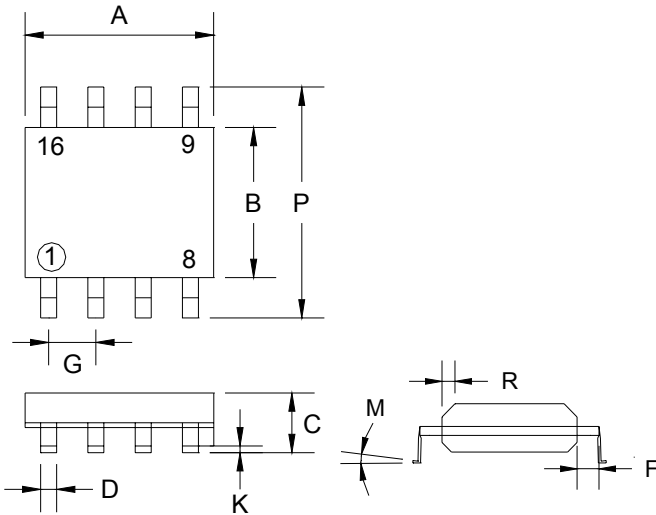
For less than 10% error from operational amplifier,
 $Qo f_o / BW < 0.1$

Where f_o and BW are expressed in Hz

If source impedance varies, filter may be preceded with Voltage follower buffer stabilize filter parameters

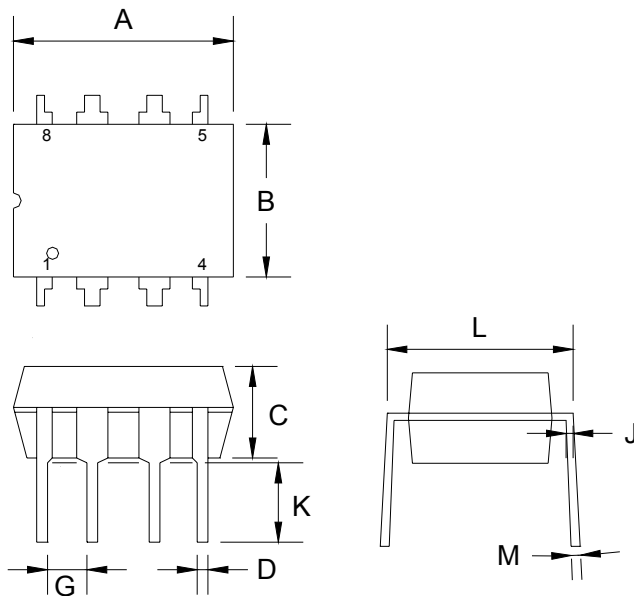
Figure 13. multiple feedback bandpass filter

SOP-8 Mechanical Drawing



DIM	MILLIMETERS		INCHES	
	MIN	MAX	MIN	MAX
A	4.80	5.00	0.189	0.196
B	3.80	4.00	0.150	0.157
C	1.35	1.75	0.054	0.068
D	0.35	0.49	0.014	0.019
F	0.40	1.25	0.016	0.049
G	1.27 (typ)		0.05 (typ)	
K	0.10	0.25	0.004	0.009
M	0°	7°	0°	7°
P	5.80	6.20	0.229	0.244
R	0.25	0.50	0.010	0.019

DIP-8 Mechanical Drawing



DIM	MILLIMETERS		INCHES	
	MIN	MAX	MIN	MAX
A	9.07	9.32	0.357	0.367
B	6.22	6.48	0.245	0.255
C	3.18	4.45	0.125	0.135
D	0.35	0.55	0.019	0.020
G	2.54 (typ)		0.10 (typ)	
J	0.29	0.31	0.011	0.012
K	3.25	3.35	0.128	0.132
L	7.75	8.00	0.305	0.315
M	-	10°	-	10°