



TRANSDUCERS USA

1400 Howard St., Elk Grove Village, IL 60007
 Phone 847-956-1920 FAX 847-956-1950
 E-Mail info@Tusainc.com

Surface Mount Audio Transducer

TRSTE-8532A

■ FEATURES

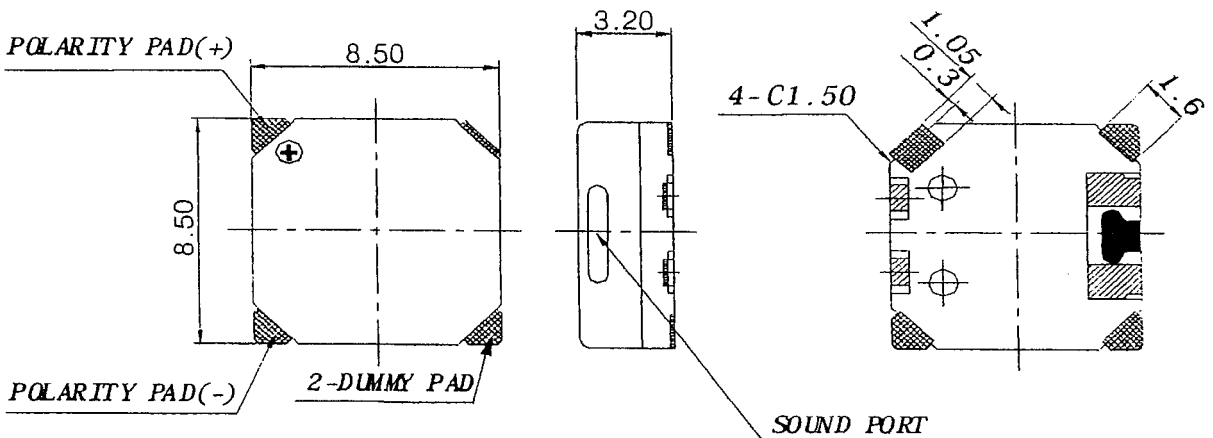
- Compact
Small and slim size of 8.5mmW × 8.5mmL × 3.2mmH
- Low profile design
- For reflow process
- Side sound port
- Tape and reel packing

■ SPECIFICATIONS

	UNIT	
Rated voltage	V P-P	3.6
Operating voltage	V P-P	2.5~ 4.5
● Rated current	mA	Max 100
Coil resistance	Ω	16 ± 3
● Sound output at 10cm	dBA	Min 85(Typ 91)
Resonant frequency	Hz	2730
Operating temperature	℃	-30 to +70
Storage temperature	℃	-40 to +85
Weight	g	0.5

- Value applying rated voltage(2730Hz, 1/2 duty, square wave)

■ DIMENSIONS



unit : mm