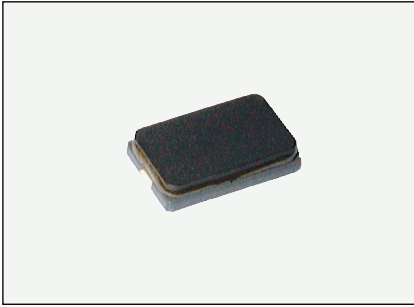


Crystal Units



TGX-8

Ceramic Glass Seal

Features

- Ultra miniature size low profile unit (5.0 X 3.2 X 1.2 mm max.)
- Excellent shock-proof characteristics (10,000 G min.)
- High reliable LCC package
- Glass seal package

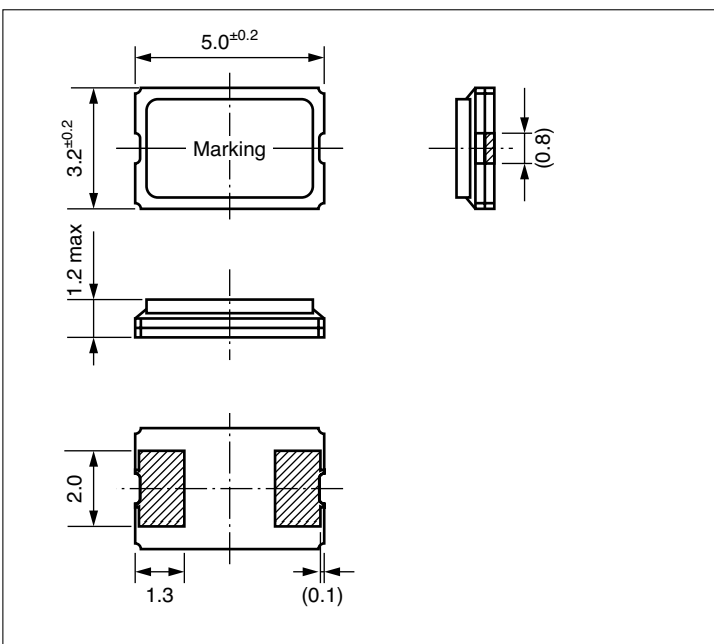
Application

- Digital still camera
- PC

Specifications

Type	TGX-8	
Frequency range	12.000MHz to 30.000MHz	Over 30.000MHz to 50.000MHz
Mode of vibration	Fundamental	
Frequency tolerance	±15 ppm ~ (at +25 °C ±2°C)	±100 ppm (-10 °C to +60 °C, inclusive of frequency tolerance at 25 °C)
Frequency stability	±15 ppm ~ (-10 °C to +60 °C, Ref. 25 °C)	
Load capacitance (CL)	Series 16 pF, 20 pF, 30 pF, etc.	
Resonance resistance (Rr)	100 Ω max.	
Drive level	100 μW max.	
Aging	±3.0 ppm max. / year	

Package Outlines [Dimensions in mm]



Footprint [Dimensions in mm]

