

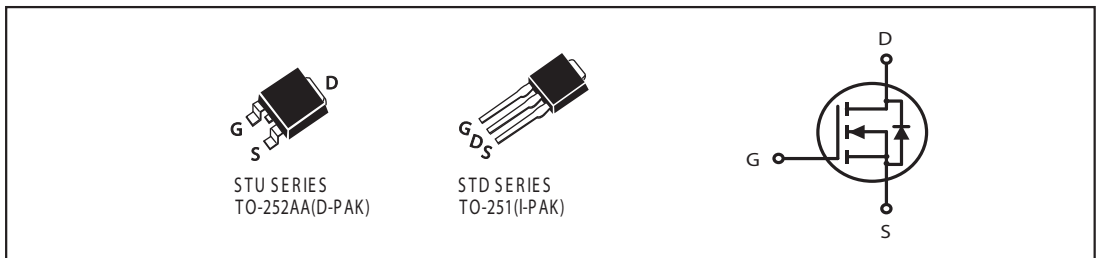


N-Channel Enhancement Mode Field Effect Transistor

| PRODUCT SUMMARY | | |
|------------------|----------------|------------------------------|
| V _{DSS} | I _D | R _{DS(ON)} (mΩ) Max |
| 55V | 10A | 55 @ V _{GS} = 10V |
| | | 80 @ V _{GS} = 4.5V |

FEATURES

- Super high dense cell design for low R_{DS(ON)}.
- Rugged and reliable.
- TO-252 and TO-251 Package.



ABSOLUTE MAXIMUM RATINGS (T_A=25°C unless otherwise noted)

| Parameter | | Symbol | Limit | Unit |
|--|----------------------|-----------------------------------|------------|------|
| Drain-Source Voltage Rating | | V _{spike} (d) | 60 | V |
| Drain-Source Voltage | | V _{DS} | 55 | V |
| Gate-Source Voltage | | V _{GS} | ±20 | V |
| Drain Current-Continuous ^a @ T _a | 25°C | I _D | 10 | A |
| | 70°C | | 8 | A |
| -Pulsed ^b | | I _{DM} | 23 | A |
| Drain-Source Diode Forward Current ^a | | I _S | 15 | A |
| Maximum Power Dissipation ^a | T _a =25°C | P _D | 50 | W |
| | T _a =70°C | | 35 | |
| Operating Junction and Storage Temperature Range | | T _J , T _{STG} | -55 to 175 | °C |

THERMAL CHARACTERISTICS

| | | | |
|---|------------------|----|------|
| Thermal Resistance, Junction-to-Case | R _{θJC} | 3 | °C/W |
| Thermal Resistance, Junction-to-Ambient | R _{θJA} | 50 | °C/W |

STU/D1955NL

N-Channel ELECTRICAL CHARACTERISTICS ($T_A = 25\text{ }^{\circ}\text{C}$ unless otherwise noted)

| Parameter | Symbol | Condition | Min | Typ ^c | Max | Unit |
|--|--------------|--|-----|------------------|-----------|---------|
| OFF CHARACTERISTICS | | | | | | |
| Drain-Source Breakdown Voltage | BV_{DSS} | $V_{GS}=0V, I_D=250\mu A$ | 55 | | | V |
| Zero Gate Voltage Drain Current | I_{DSS} | $V_{DS}=44V, V_{GS}=0V$ | | | 1 | μA |
| Gate-Body Leakage | I_{GSS} | $V_{GS}=\pm 20V, V_{DS}=0V$ | | | ± 100 | nA |
| ON CHARACTERISTICS^b | | | | | | |
| Gate Threshold Voltage | $V_{GS(th)}$ | $V_{DS}=V_{GS}, I_D=250\mu A$ | 1.0 | 1.9 | 3.0 | V |
| Drain-Source On-State Resistance | $R_{DS(ON)}$ | $V_{GS}=10V, I_D=8A$ | | 42 | 55 | m ohm |
| | | $V_{GS}=4.5V, I_D=4A$ | | 65 | 80 | m ohm |
| On-State Drain Current | $I_{D(ON)}$ | $V_{DS}=5V, V_{GS}=10V$ | 15 | | | A |
| Forward Transconductance | g_{FS} | $V_{DS}=10V, I_D=8A$ | | 10 | | S |
| DYNAMIC CHARACTERISTICS^c | | | | | | |
| Input Capacitance | C_{ISS} | $V_{DS}=30V, V_{GS}=0V$ $f=1.0MHz$ | | 635 | 718 | pF |
| Output Capacitance | C_{OSS} | | | 75 | 87 | pF |
| Reverse Transfer Capacitance | C_{RSS} | | | 50 | 57 | pF |
| Gate resistance | R_g | $V_{GS}=0V, V_{DS}=0V, f=1.0MHz$ | | 2.6 | | ohm |
| SWITCHING CHARACTERISTICS^c | | | | | | |
| Turn-On Delay Time | $t_{D(ON)}$ | $V_{DD}=30V$ $I_D=8A$ $V_{GS}=10V$ $R_{GEN}=6\text{ ohm}$ | | 10.6 | 13 | ns |
| Rise Time | t_r | | | 5.3 | 6 | ns |
| Turn-Off Delay Time | $t_{D(OFF)}$ | | | 14.5 | 17 | ns |
| Fall Time | t_f | | | 9.8 | 11 | ns |
| Total Gate Charge | Q_g | $V_{DS}=15V, I_D=8A, V_{GS}=10V$ | | 12.8 | 14 | nC |
| | | $V_{DS}=15V, I_D=8A, V_{GS}=5V$ | | 7.1 | 8 | nC |
| Gate-Source Charge | Q_{gs} | $V_{DS}=15V, I_D=8A$ | | 2.6 | 3 | nC |
| Gate-Drain Charge | Q_{gd} | $V_{GS}=10V$ | | 3.8 | 5 | nC |

STU/D1955NL

ELECTRICAL CHARACTERISTICS ($T_c=25^\circ\text{C}$ unless otherwise noted)

| Parameter | Symbol | Condition | Min | Typ | Max | Unit |
|--|----------|--------------------------|-----|-----|-----|------|
| DRAIN-SOURCE DIODE CHARACTERISTICS ^a | | | | | | |
| Diode Forward Voltage | V_{SD} | $V_{GS} = 0V, I_s = 15A$ | | 1 | 1.3 | V |

Notes

- a. Surface Mounted on FR4 Board, $t \leq 10\text{sec}$.
- b. Pulse Test: Pulse Width $\leq 300\mu\text{s}$, Duty Cycle $\leq 2\%$.
- c. Guaranteed by design, not subject to production testing.
- d. Guaranteed when external $R_g=6\ \text{ohm}$ and $t_f < t_{f\ \text{max}}$

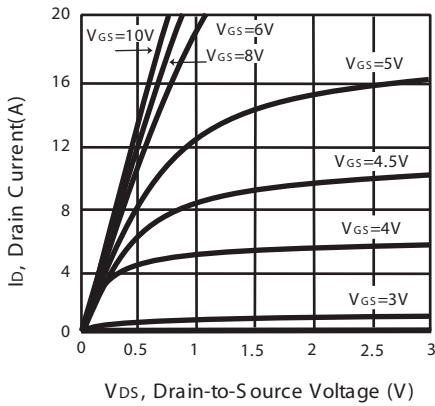


Figure 1. Output Characteristics

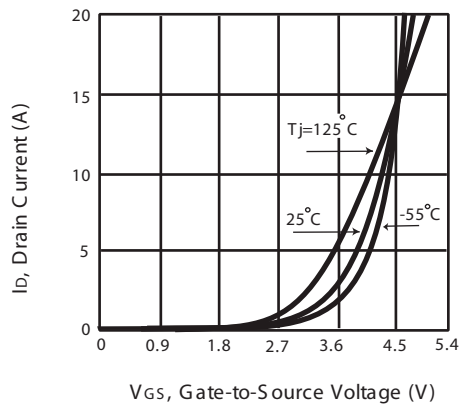


Figure 2. Transfer Characteristics

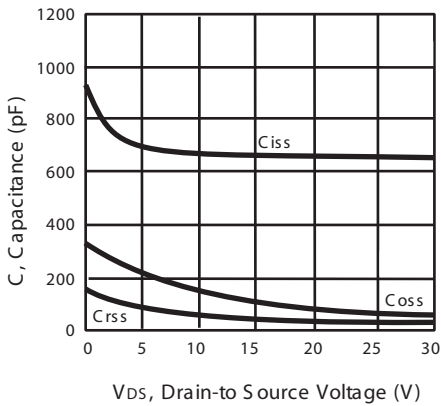


Figure 3. Capacitance

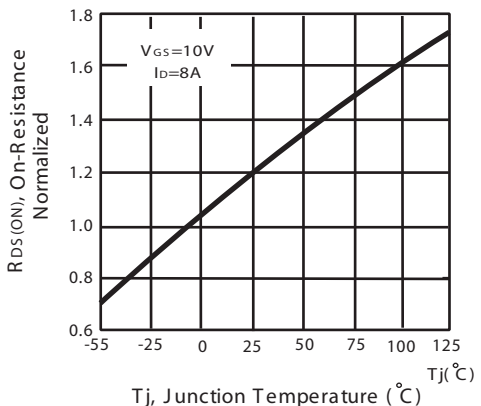


Figure 4. On-Resistance Variation with Drain Current and Temperature

STU/D1955NL

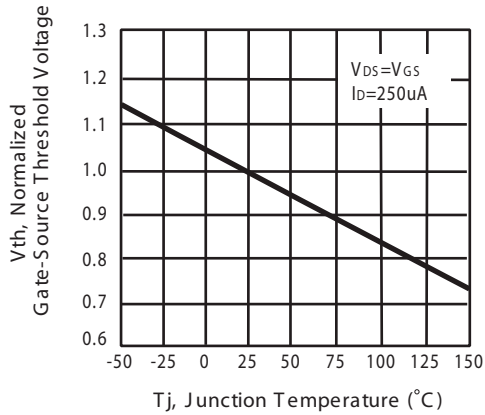


Figure 5. Gate Threshold Variation with Temperature

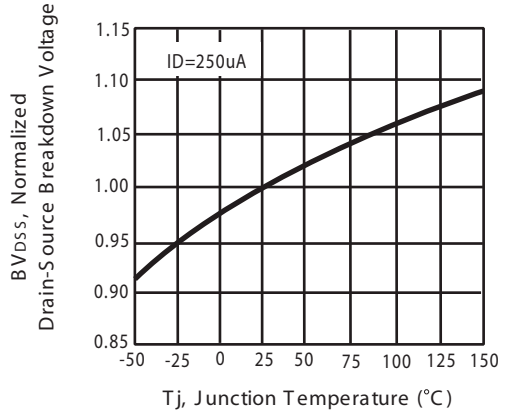


Figure 6. Breakdown Voltage Variation with Temperature

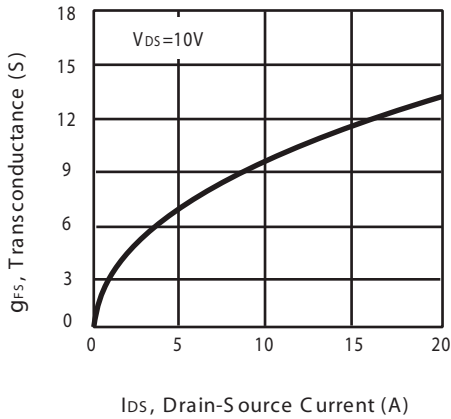


Figure 7. Transconductance Variation with Drain Current

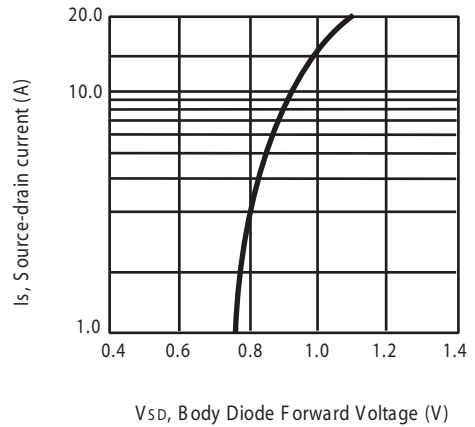


Figure 8. Body Diode Forward Voltage Variation with Source Current

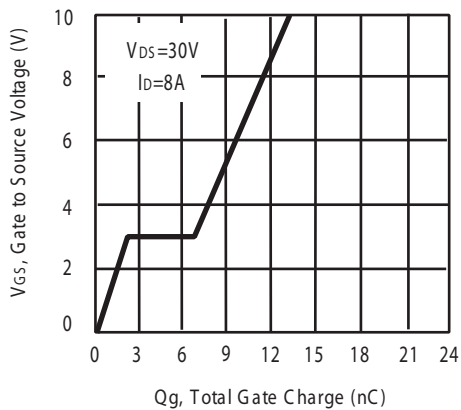


Figure 9. Gate Charge

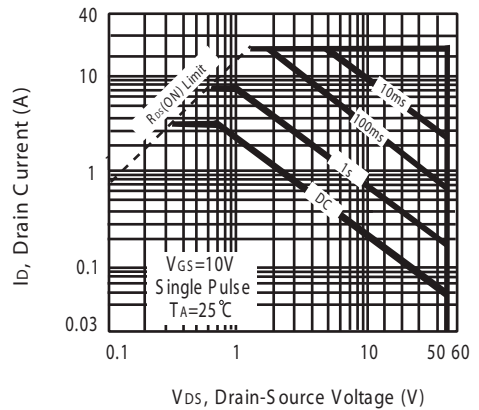


Figure 10. Maximum Safe Operating Area

STU/D1955NL

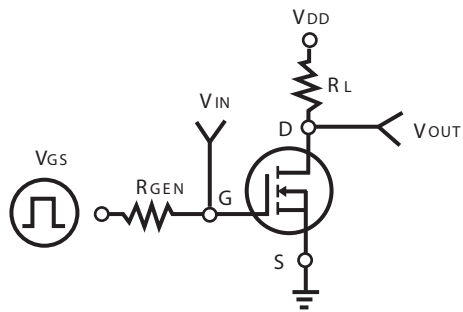


Figure 11. Switching Test Circuit

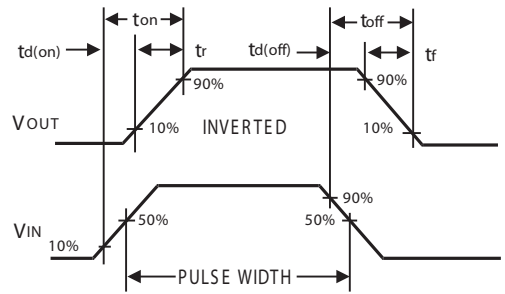
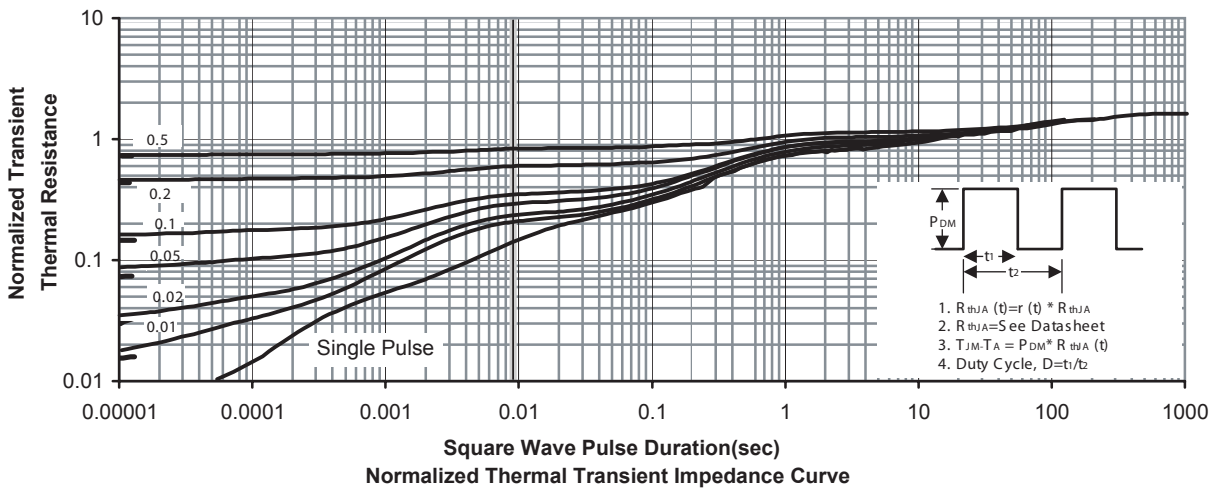


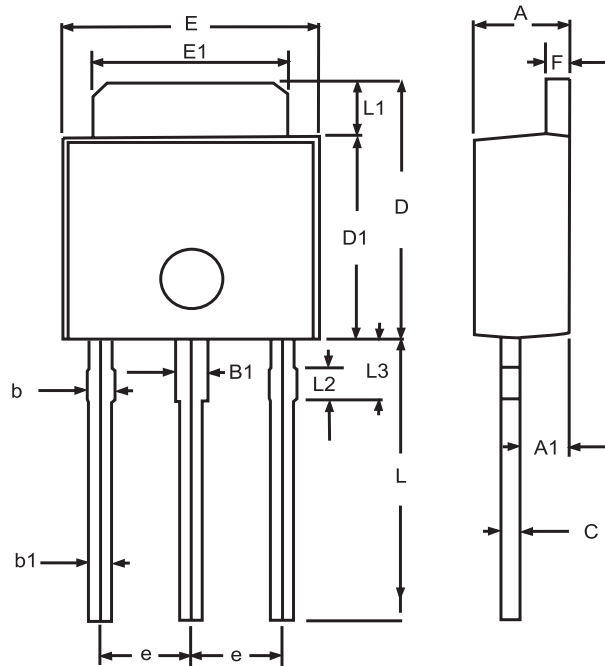
Figure 12. Switching Waveforms



STU/D1955NL

PACKAGE OUTLINE DIMENSIONS

TO-251

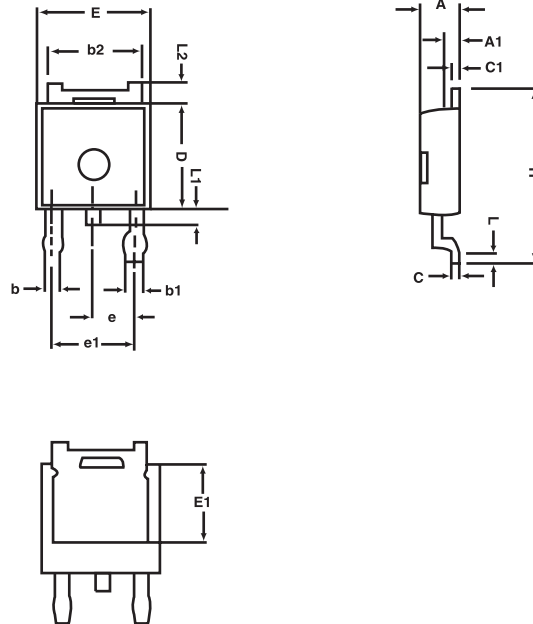


| SYMBOLS | MILLIMETERS | | INCHES | |
|---------|-------------|-------|--------|-------|
| | MIN | MAX | MIN | MAX |
| A | 2.20 | 2.40 | 0.087 | 0.095 |
| A1 | 1.100 | 1.300 | 0.043 | 0.051 |
| B1 | 0.650 | 1.050 | 0.026 | 0.041 |
| b | 0.500 | 0.900 | 0.020 | 0.035 |
| b1 | 0.400 | 0.800 | 0.016 | 0..32 |
| C | 0.400 | 0.600 | 0.016 | 0.024 |
| D | 6.700 | 7.300 | 0.264 | 0.287 |
| D1 | 5.400 | 5.650 | 0.213 | 0.222 |
| E | 6.40 | 6.650 | 0.252 | 0.262 |
| e | 2.100 | 2.500 | 0.083 | 0.098 |
| F | 0.400 | 0.600 | 0.016 | 0.024 |
| L | 7.000 | 8.000 | 0.276 | 0.315 |
| L1 | 1.300 | 1.700 | 0.051 | 0.067 |
| L2 | 0.700 | 0.900 | 0.028 | 0.035 |
| L3 | 1.400 | 1.800 | 0.055 | 0.071 |

STU/D1955NL

PACKAGE OUTLINE DIMENSIONS

TO-252



| SYMBOLS | MILLIMETERS | | INCHES | |
|---------|-------------|-------|--------|-------|
| | MIN | MAX | MIN | MAX |
| A | 2.25 | 2.35 | 0.089 | 0.093 |
| A1 | 0.95 | 1.05 | 0.037 | 0.041 |
| b | 0.77 | 0.85 | 0.030 | 0.033 |
| b1 | 0.84 | 0.94 | 0.033 | 0.037 |
| b2 | 5.30 | 5.45 | 0.209 | 0.215 |
| C | 0.49 | 0.53 | 0.019 | 0.021 |
| D | 6.00 | 6.20 | 0.236 | 0.244 |
| E | 6.40 | 6.60 | 0.252 | 0.260 |
| E1 | 3.18 | 3.67 | 0.125 | 0.145 |
| e | 2.29 | BSC | 0.090 | BSC |
| H | 9.70 | 10.10 | 0.382 | 0.398 |
| L | 1.425 | 1.625 | 0.056 | 0.064 |
| L1 | 0.650 | 0.850 | 0.026 | 0.033 |
| L2 | 0.600 | REF. | 0.024 | REF. |

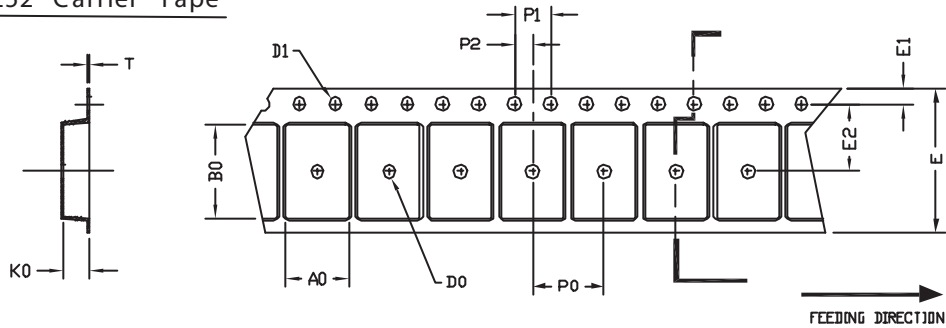
STU/D1955NL

T0251 Tube/TO-252 Tape and Reel data

TO-251 Tube



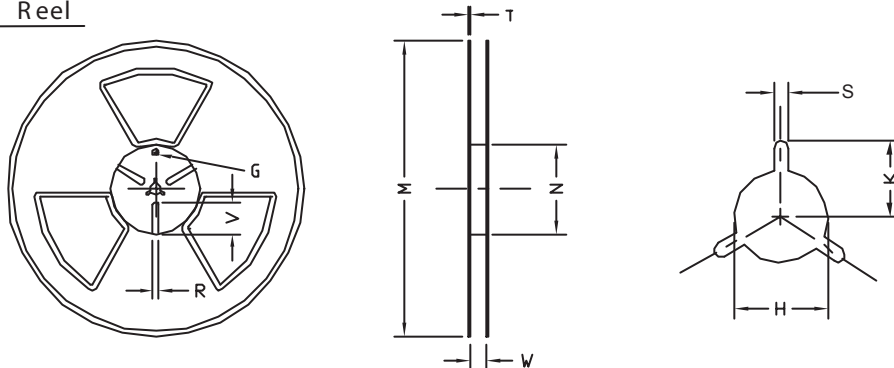
TO-252 Carrier Tape



UNIT:mm

| PACKAGE | A0 | B0 | K0 | D0 | D1 | E | E1 | E2 | P0 | P1 | P2 | T |
|-------------------|--------------|--------------|--------------|-----|-----------------------|--------------|--------------|--------------|-------------|-------------|--------------|--------------|
| TO-252 (16 mm) | 6.80 ±0.1 | 10.3 ±0.1 | 2.50 ±0.1 | φ 2 | φ 1.5 + 0.1 - 0 | 16.0 0.3± | 1.75 0.1± | 7.5 ±0.15 | 8.0 ±0.1 | 4.0 ±0.1 | 2.0 ±0.15 | 0.3 ±0.05 |

TO-252 Reel



UNIT:mm

| TAPE SIZE | REEL SIZE | M | N | W | T | H | K | S | G | R | V |
|-----------|-----------|----------------|---------------|----------------------|-----|--------------------------|------|-------------|-----|-----|-----|
| 16 mm | φ 330 | φ 330 ± 0.5 | φ 97 ± 1.0 | 17.0 + 1.5 - 0 | 2.2 | φ 13.0 + 0.5 - 0.2 | 10.6 | 2.0 ±0.5 | --- | --- | --- |