

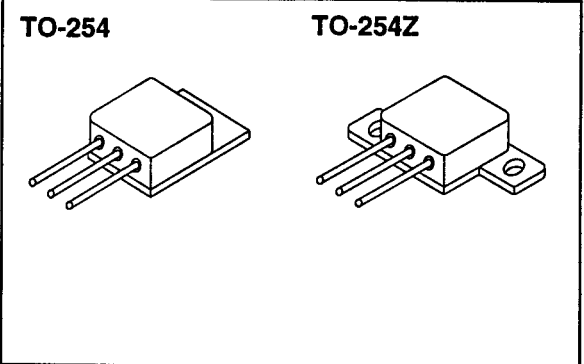
**SSR6010M**  
**SSR6010Z**

14849 Firestone Boulevard · La Mirada, CA 90638  
 Phone: (714) 670-SSDI (7734) · Fax: (714) 522-7424

**Designer's Data Sheet**

- FEATURES:**
- Low Reverse Leakage
  - Low Forward Voltage Drop
  - Guard Ring for Overvoltage protection
  - Isolated Hermetically Sealed Power Package
  - Ceramic Seals for Improved Hermeticity
  - Custom Lead Forming Available
  - Eutectic Die Attach
  - 175°C Operating Temperature
  
  - TX, TXV and Space Level Screening Available

**60 AMP**  
**100 VOLTS**  
**SCHOTTKY**  
**RECTIFIER**



**MAXIMUM RATINGS**

RATING	SYMBOL	VALUE	UNIT
Peak Repetitive Reverse and DC Blocking Voltage	VRRM VRWM VR	100	Volts
Average Rectified Forward Current (Resistive Load, 60Hz, Sine Wave, TA=25°C)	Io	60	Amps
Peak Surge Current (8.3 ms Pulse, Half Sine Wave Superimposed on Io, allow junction to reach equilibrium between pulses, TA=25°C)	IFSM	500	Amps
Operating and storage temperature	Top & Tstg	-55 to +175	°C
Maximum Thermal Resistance Junction to Case	RθJC	0.80	°C/W

Available with Glass or Ceramic Seals. Contact Factory for Details.

# SSR6010M SSR6010Z

PRELIMINARY

# SSDI

SOLID STATE DEVICES, INC

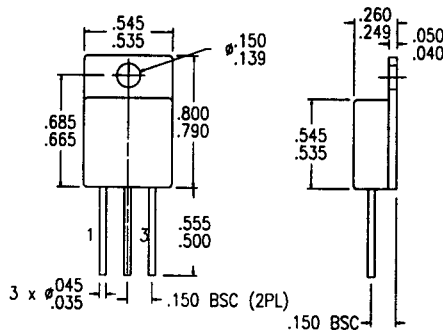
14849 Firestone Boulevard · La Mirada, CA 90638  
Phone: (714) 670-SSDI (7734) · Fax: (714) 522-7424

## ELECTRICAL CHARACTERISTICS

CHARACTERISTICS	SYMBOL	MAXIMUM	UNIT
<b>Instantaneous Forward Voltage Drop</b> (IF = 30 Adc, TA=25°C, 300µs Pulse) (IF = 60 Adc, TA=25°C, 300µs Pulse)	<b>VF1</b>	0.9 1.2	Vdc
<b>Instantaneous Forward Voltage Drop</b> (IF=30 Adc, TA= -125°C, 300µs Pulse)	<b>VF2</b>	0.75	Vdc
<b>Reverse Leakage Current</b> (Rated VR, TA=25°C, 300µs pulse minimum)	<b>IR1</b>	12	mA
<b>Reverse Leakage Current</b> (Rated VR, TA=125°C, 300µs pulse minimum)	<b>IR2</b>	30	mA
<b>Junction Capacitance</b> (VR = 5 Vdc, TA=25°C, f= 1 MHz )	<b>CJ</b>	1600	pf

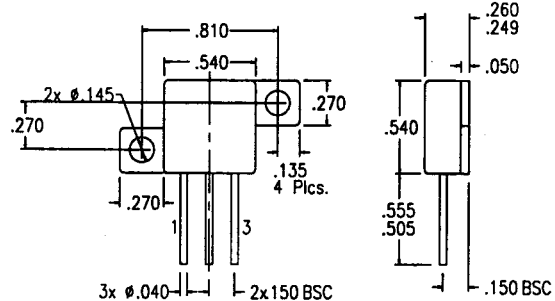
### CASE OUTLINE: TO-254

PIN OUT:  
PIN 1: CATHODE  
PIN 2: ANODE  
PIN 3: ANODE



### CASE OUTLINE: TO-254Z

PIN OUT:  
PIN 1: CATHODE  
PIN 2: ANODE  
PIN 3: ANODE



## TYPICAL OPERATING CURVES

(TA=25°C Unless otherwise specified)

