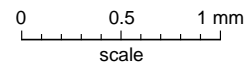
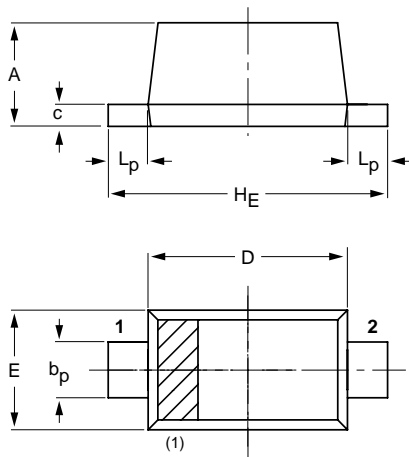


Plastic surface mounted package; 2 leads

SOD723



DIMENSIONS (mm are the original dimensions)

UNIT	A	bp	c	D	E	HE	Lp
mm	0.55 0.49	0.32 0.25	0.15 0.08	1.05 0.95	0.65 0.55	1.45 1.35	0.27 0.13

Note

1. The marking bar indicates the cathode.

OUTLINE VERSION	REFERENCES				EUROPEAN PROJECTION	ISSUE DATE
	IEC	JEDEC	JEITA			
SOD723						02-07-05