

SHINDENGEN

Schottky Rectifiers (SBD)

Dual

SF20SC6

60V 20A

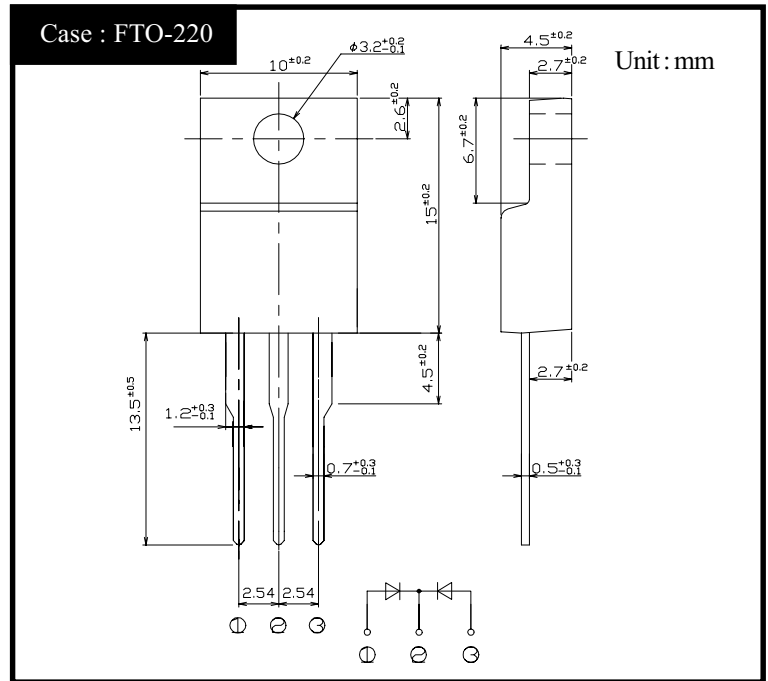
FEATURES

- Tj150°C
- P_{RRSM} avalanche guaranteed
- Fully Isolated Molding
- High current capacity with Small Package
- Dielectric strength 2kV guaranteed

APPLICATION

- Switching power supply
- DC/DC converter
- Home Appliances, Office Equipment
- Telecommunication

OUTLINE DIMENSIONS



RATINGS

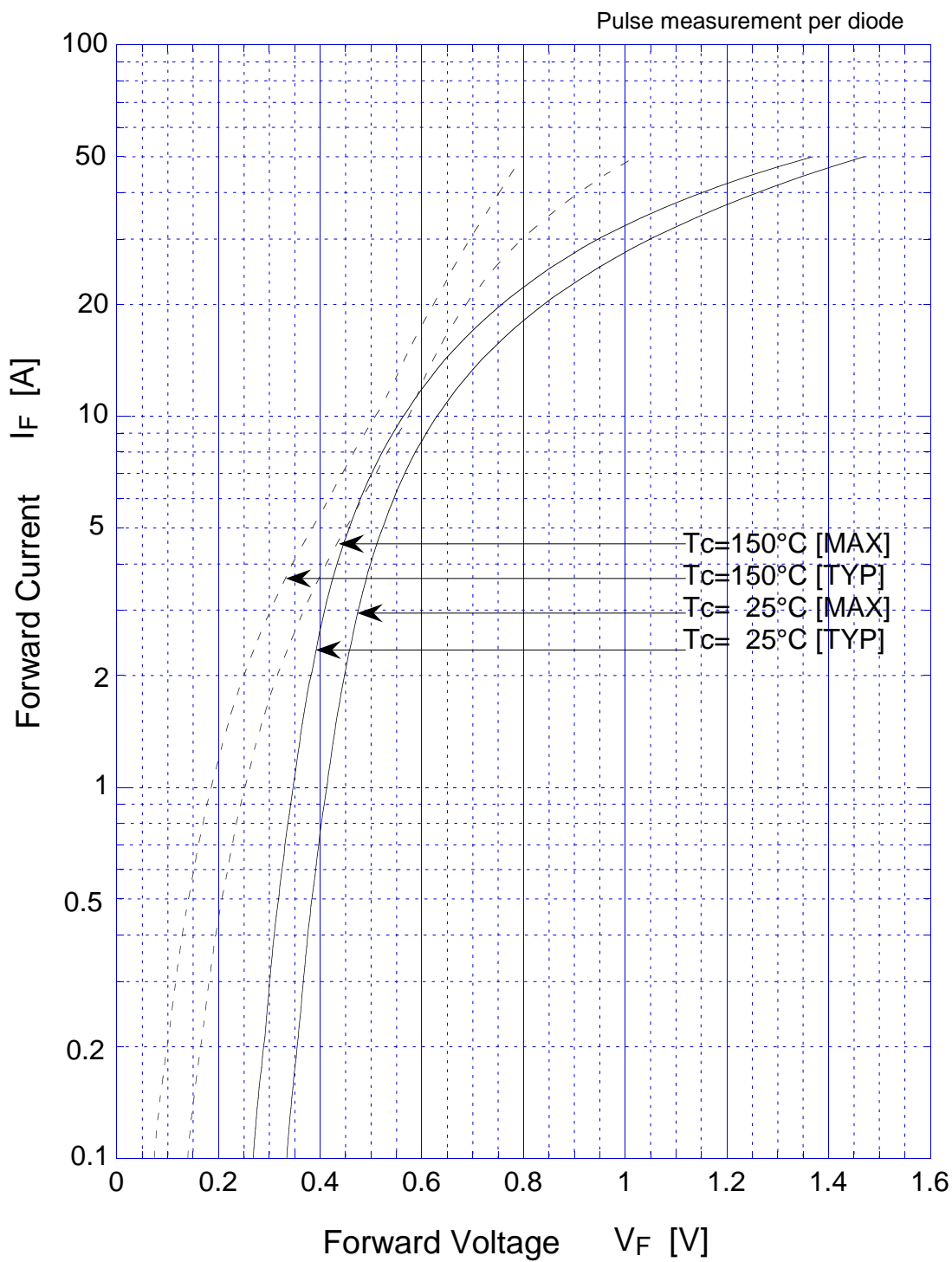
● Absolute Maximum Ratings (If not specified, T_c=25°C)

Item	Symbol	Conditions	Ratings	Unit
Storage Temperature	T _{stg}		-55~150	°C
Operating Junction Temperature	T _j		150	°C
Maximum Reverse Voltage	V _{RM}		60	V
Repetitive Peak Surge Reverse Voltage	V _{RRSM}	Pulse width 0.5ms, duty 1/40	65	V
Average Rectified Forward Current	I _O	50Hz sine wave, R-load, Rating for each diode I _O /2, T _c =118°C	20	A
Peak Surge Forward Current	I _{FSM}	50Hz sine wave, Non-repetitive 1 cycle peak value, T _j =25°C	230	A
Repetitive Peak Surge Reverse Power	P _{RRSM}	Pulse width 10 μs, Rating of per diode, T _j =25°C	660	W
Dielectric Strength	V _{dis}	Terminals to case, AC 1 minute	2	kV
Mounting Torque	TOR	(Recommended torque : 0.3N·m)	0.5	N·m

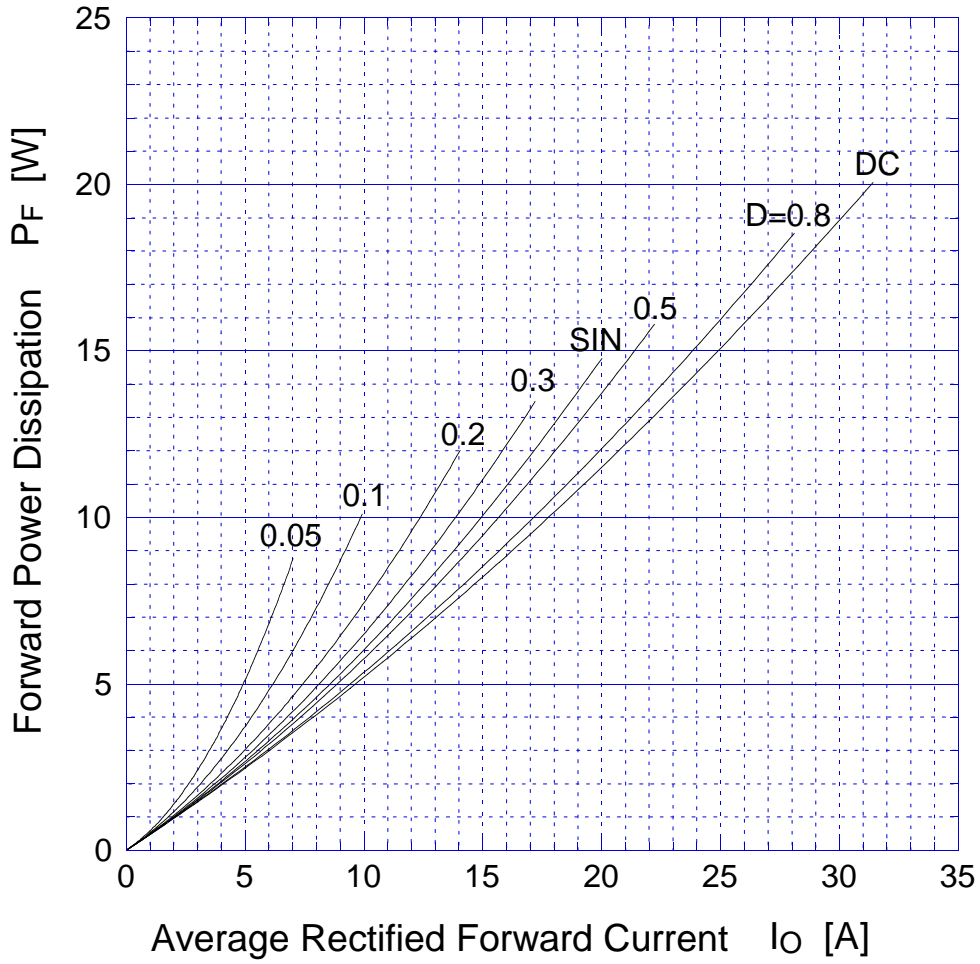
● Electrical Characteristics (If not specified, T_c=25°C)

Item	Symbol	Conditions	Ratings	Unit
Forward Voltage	V _F	I _F =10A, Pulse measurement, Rating of per diode	Max.0.63	V
Reverse Current	I _R	V _R =V _{RM} , Pulse measurement, Rating of per diode	Max.8	mA
Junction Capacitance	C _j	f=1MHz, V _R =10V Rating of per diode	Typ.370	pF
Thermal Resistance	θ _{jc}	junction to case	Max.1.8	°C/W
	θ _{jf}	junction to heatsink	Max.4.3	
	θ _{cf}	case to heatsink	Max.2.5	

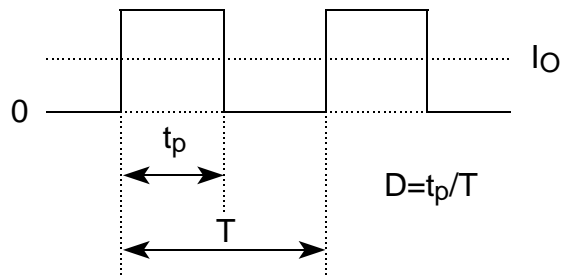
SF20SC6 Forward Voltage



SF20SC6 Forward Power Dissipation

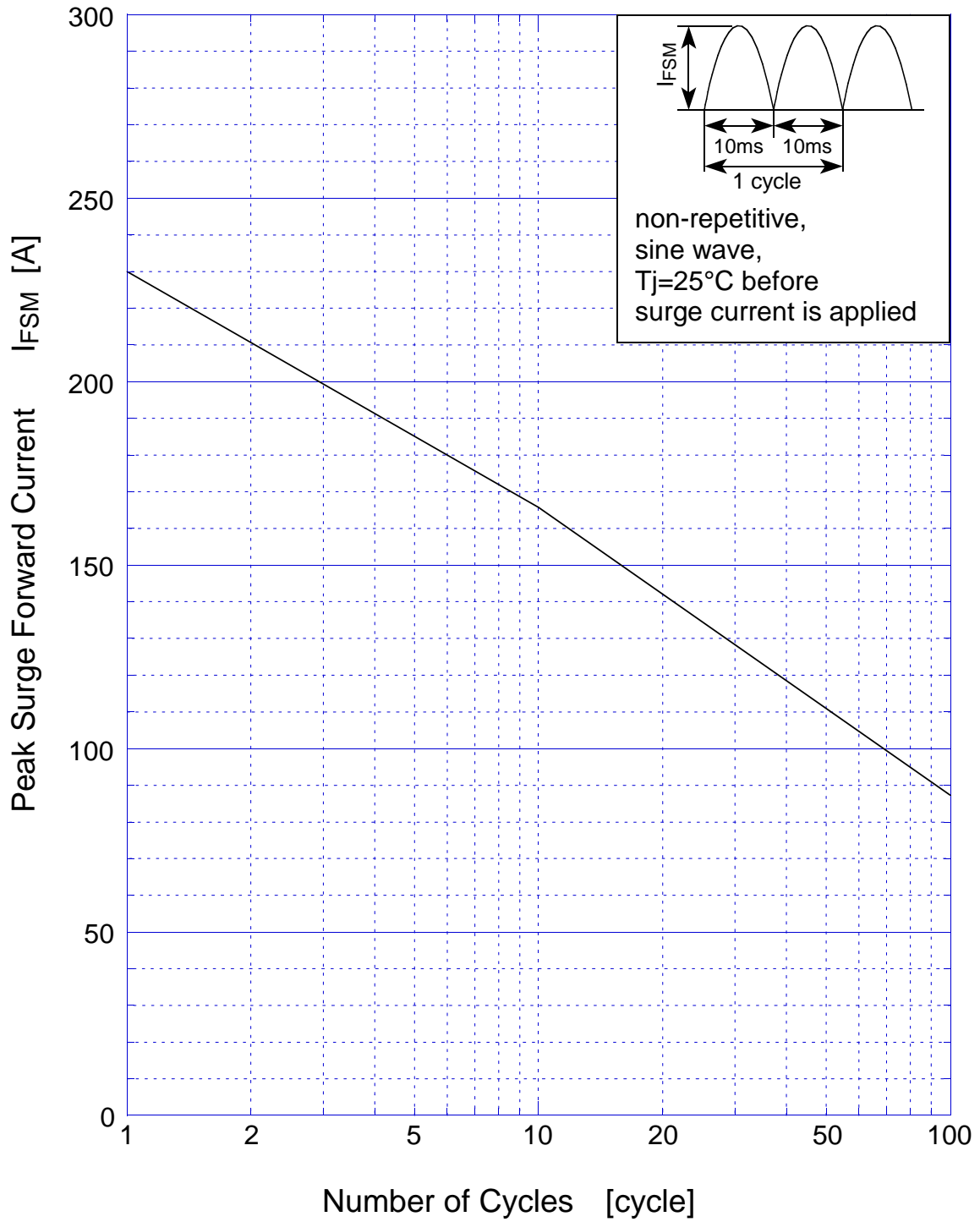


$T_j = 150^\circ\text{C}$

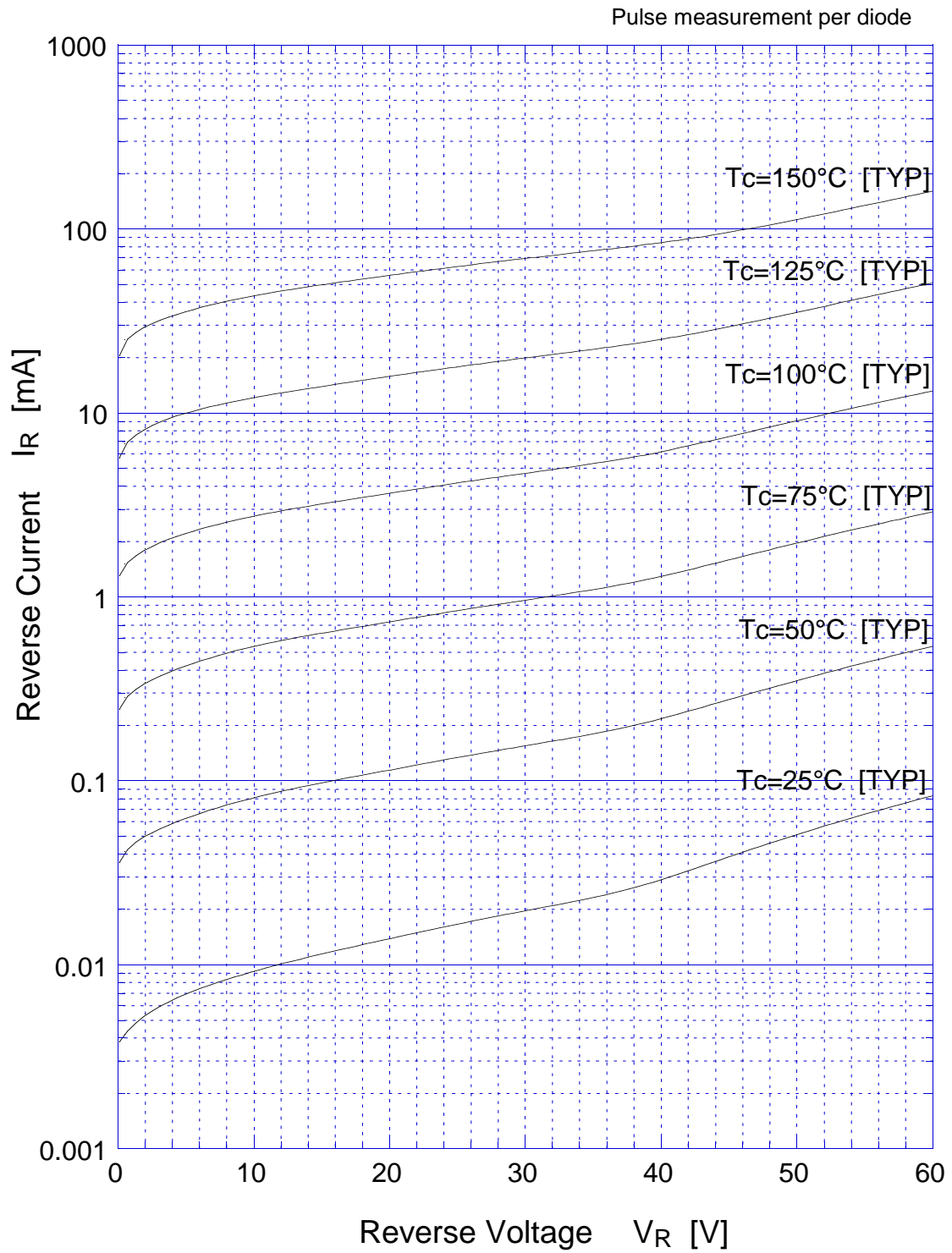


SF20SC6

Peak Surge Forward Capability

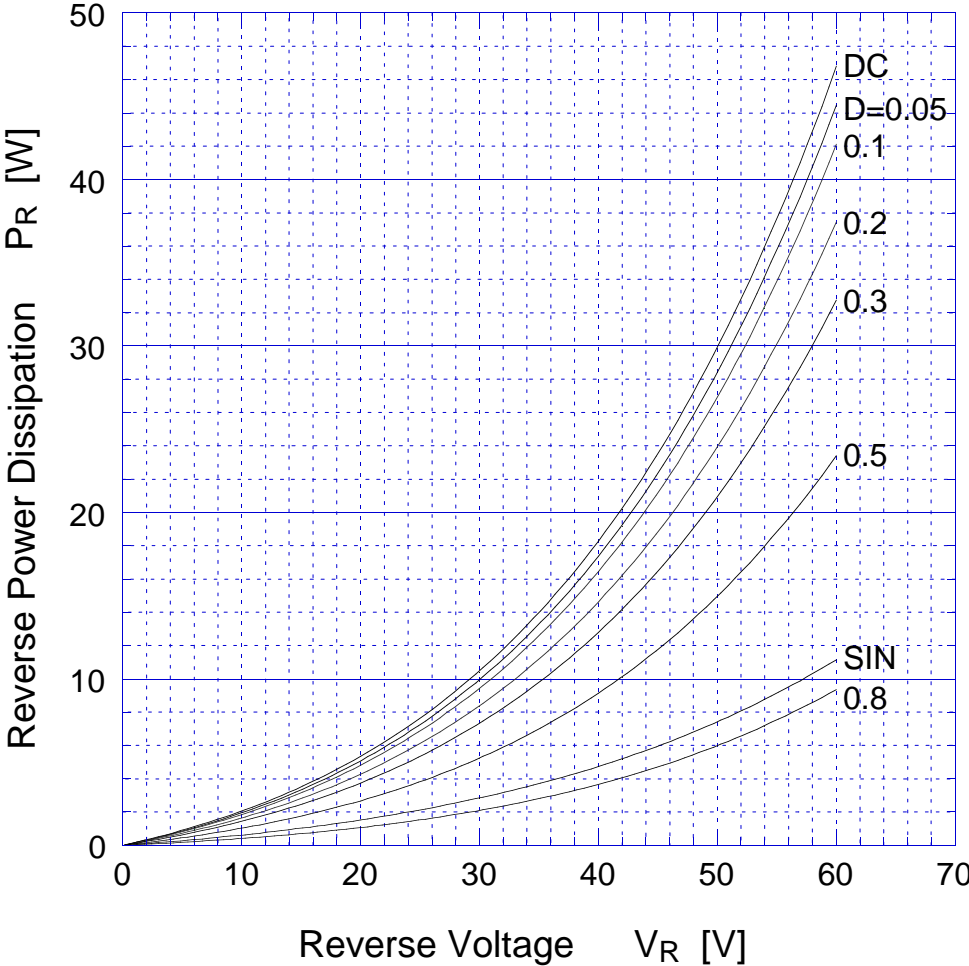


SF20SC6 Reverse Current

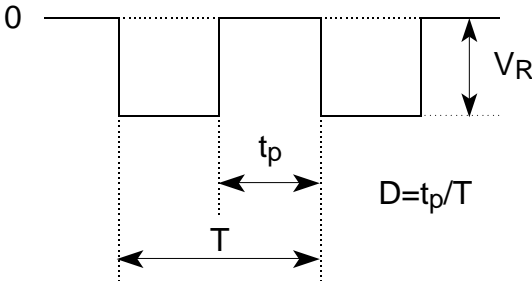


SF20SC6

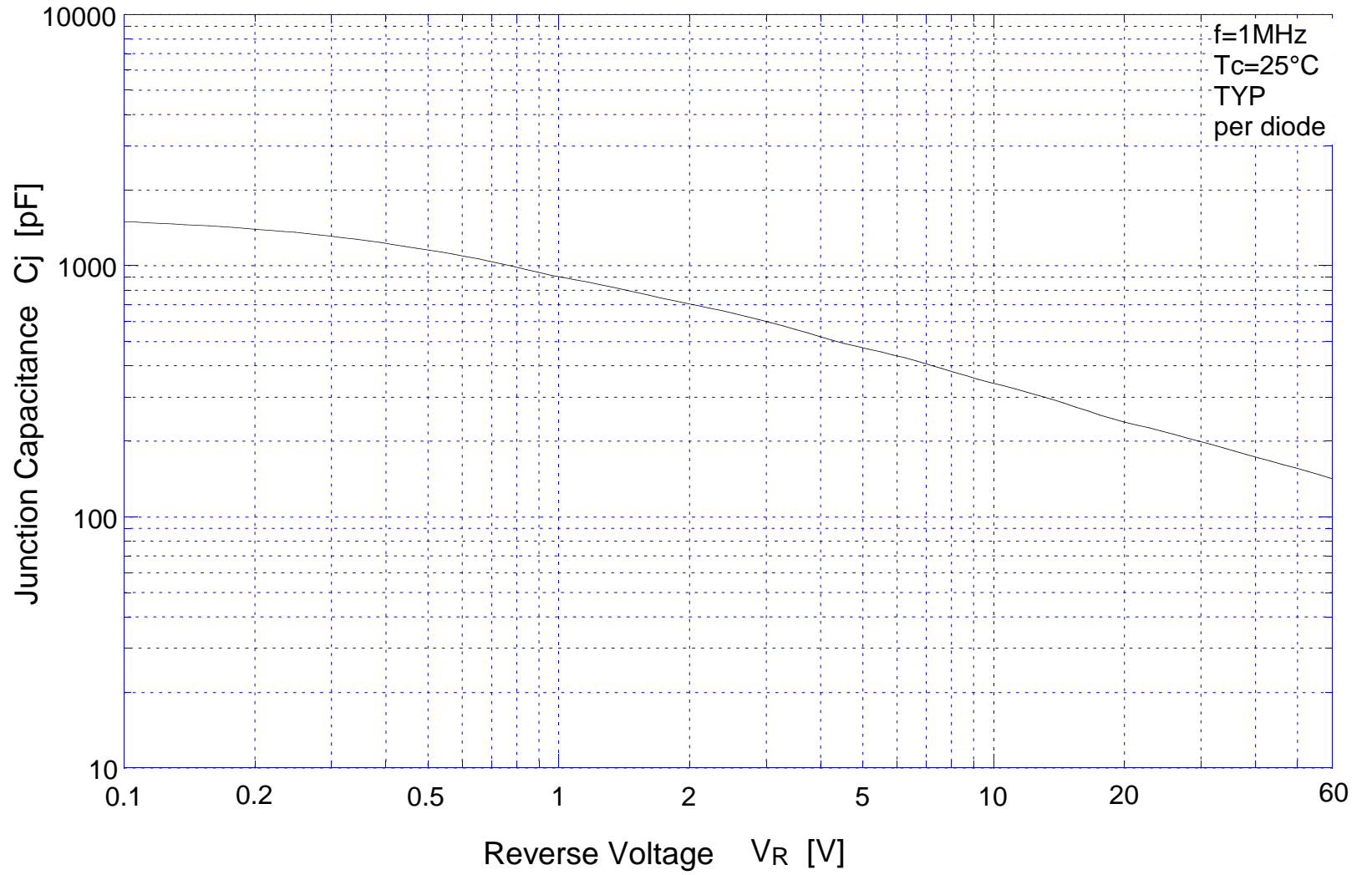
Reverse Power Dissipation



$T_j = 150^\circ\text{C}$

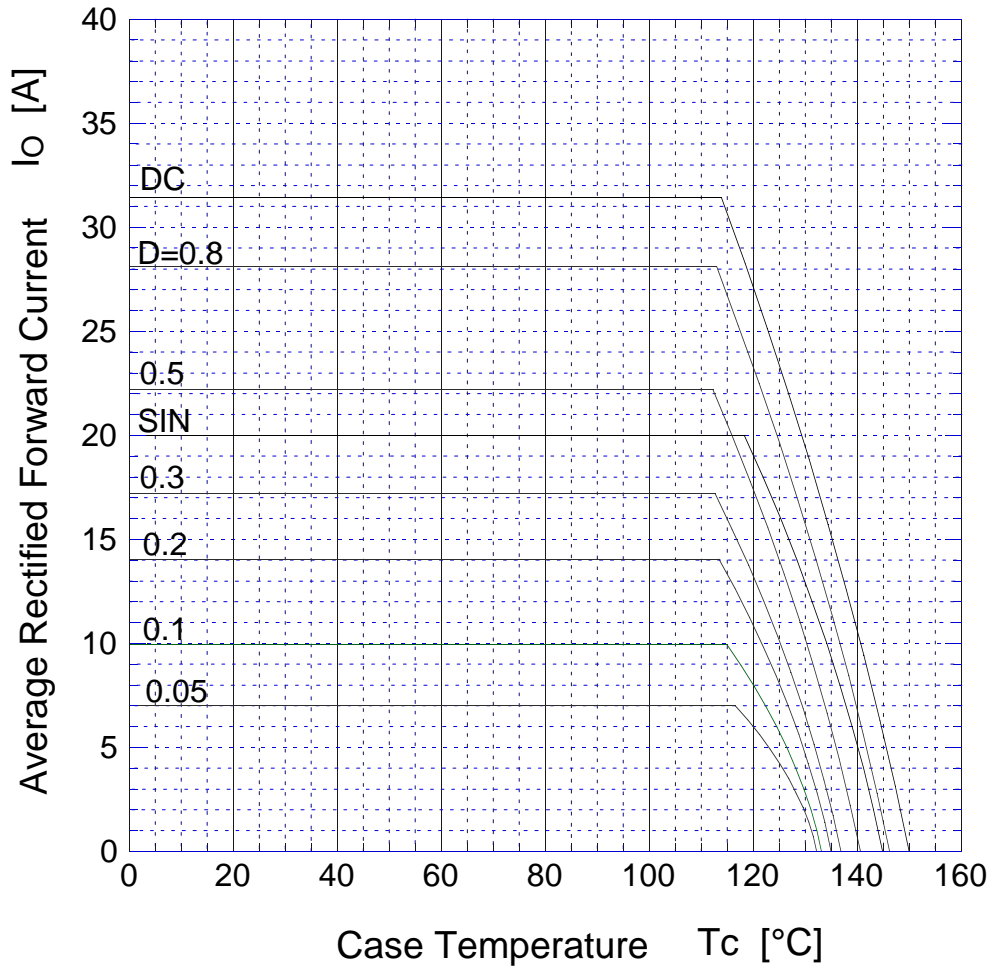


SF20SC6 Junction Capacitance

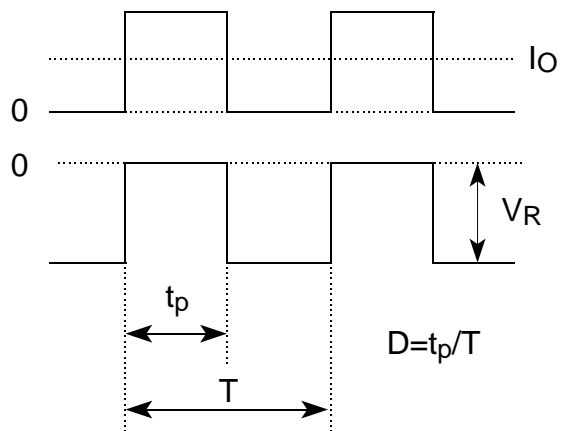


SF20SC6

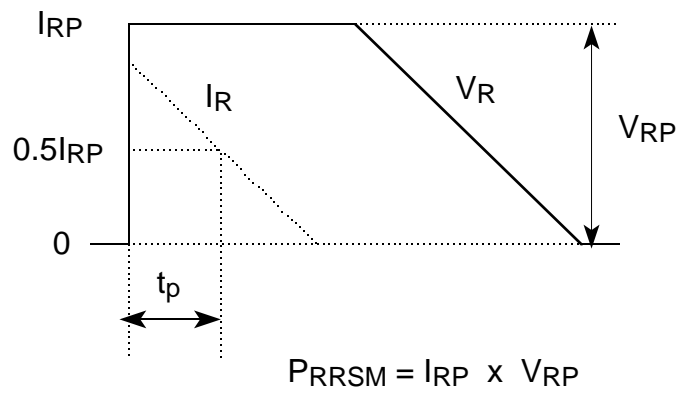
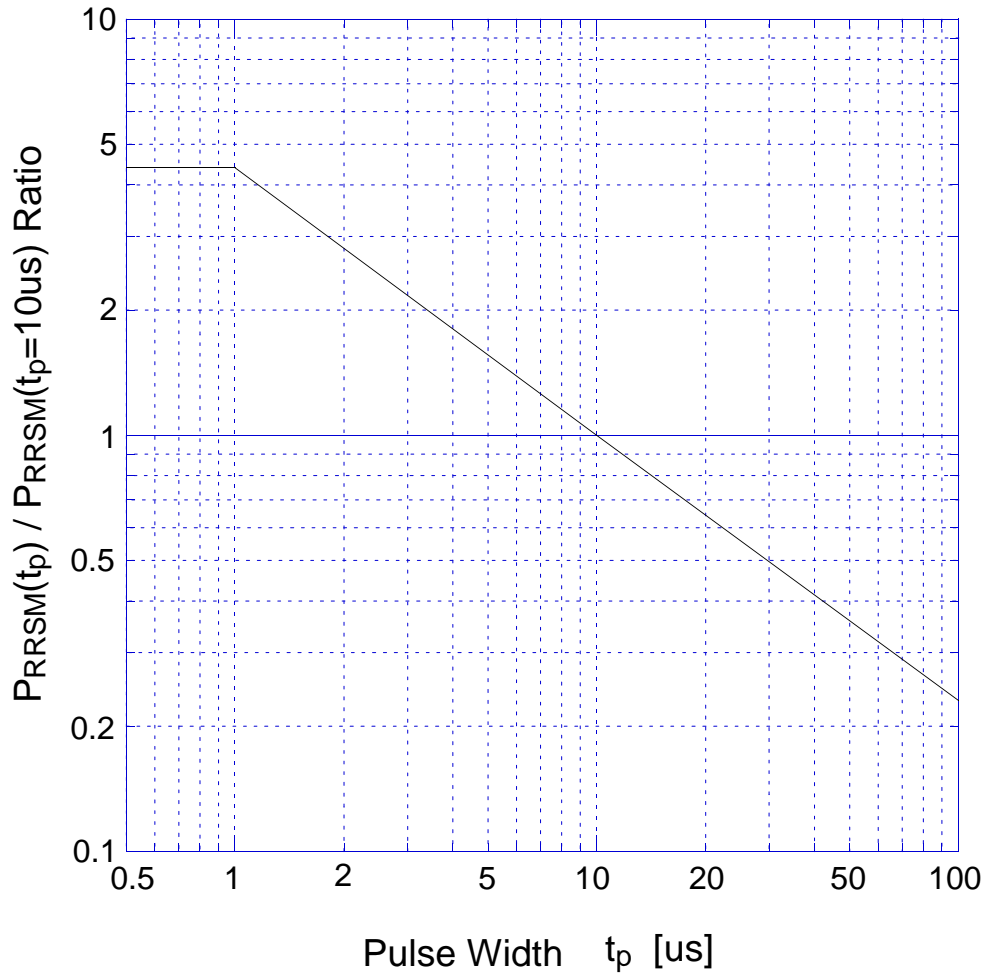
Derating Curve



$V_R = 30V$



SF20SC6 Repetitive Surge Reverse Power Capability



SF20SC6 Repetitive Surge Reverse Power Derating Curve

