

DATE : 2000. 05. 23.

---

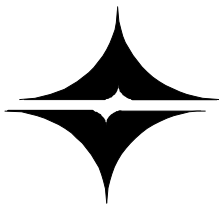
# **SPECIFICATION**

**PRODUCT : LED DISPLAY**

---

**MODEL : ODC - O204ADM3**

---



**OPTO ELECTRONICS CO., LTD.**

1066-12 YOUNJANG-RI, JINAN-UP, JINAN-GUN

JEON-BUK, KOREA.

TEL : (063) 433-4566 ~ 8

FAX : (063) 433-4569

Home page : [www.e-oec.com](http://www.e-oec.com)

## 1. GENERAL DESCRIPTION

The ODC-O204 series of two digit consisted seven segments are designed to be used eve nin bright location.

The character height is 0.40inch (approximately 10.16mm) and a choice of four emitting colors(RED, GREEN, ORANGE, YELLOW) and two configurations (common ANODE, common CATHODE) are possible.

## 2. FEATURES

- High brightness with high contrast
- Wide angle viewing
- Low power consumption
- Solid state reliability
- Long operation life time

## 3. ABSOLUTE MAXIMUM RATINGS.

(Ta=25℃)

Parameter	Symbol	Rating	Unit
Power Dissipation	P <sub>D</sub>	832	mW
Power Dissipation	P <sub>D</sub> /seg	52	mW
Forward Current	I <sub>F</sub>	20	mA
Peak Forward Current	I <sub>FP</sub> *1	50	mA
Reverse Voltage	V <sub>R</sub> /seg	5	V
Operating Temperature	T <sub>opr</sub>	-25 ~ +70	℃
Storage Temperature	T <sub>stg</sub>	-30 ~ +80	℃
Soldering Temperature	T <sub>sol</sub>	260℃ within 5 seconds	

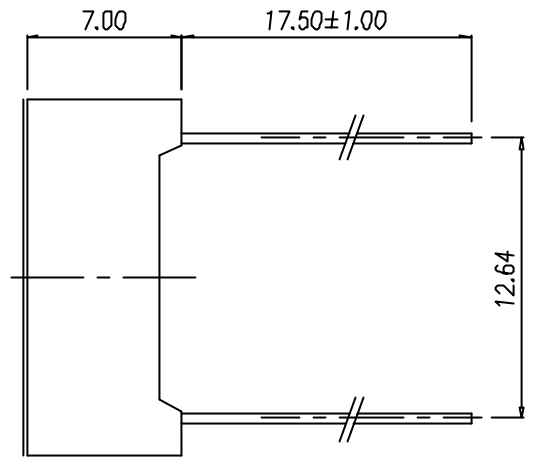
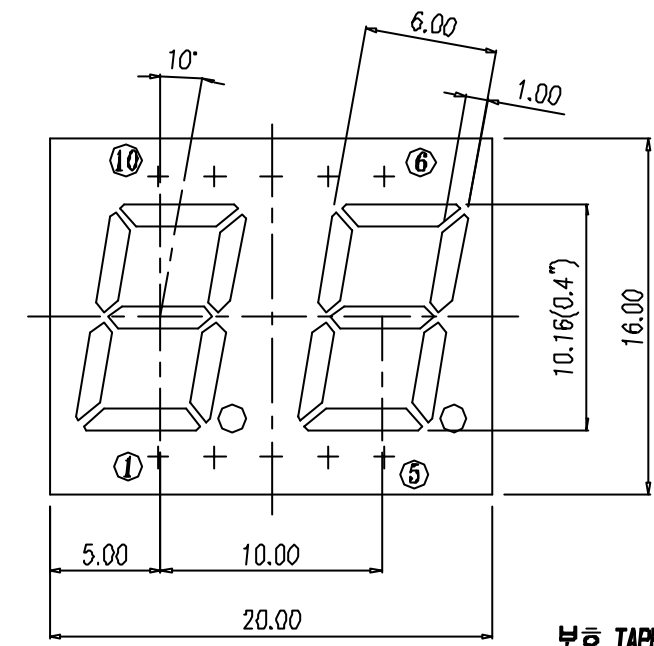
## 4. ELECTRO - OPTICAL CHARACTERISTICS

(Ta=25℃)

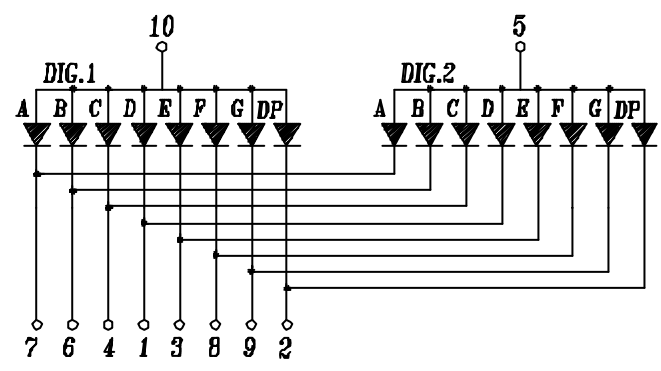
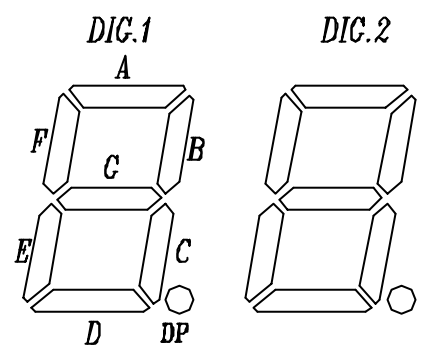
Parameter	Symbol	Condition	Min	Typ	Max	Unit
Forward Voltage	V <sub>F</sub>	I <sub>F</sub> =20mA	-	1.95	2.60	V
Luminous Intensity	I <sub>V</sub> *2	I <sub>F</sub> =20mA	250	-	350	med
Peak Emission Wavelength	λ <sub>p</sub>	I <sub>F</sub> =20mA	-	630	-	nm
Spectrum Radiation Bandwidth	Δλ	I <sub>F</sub> =20mA	-	40	-	nm
Reverse Current	I <sub>R</sub>	V <sub>R</sub> =5V	-	-	100	μA

**NOTE** \*1. Duty Ratio=¼

\*2. Assembled into T1¾ plastic package



보호 TAPE



<Common Anode>

DATE	2000. 07. 11.	UNLESS OTHERWISE SPECIFIED DIMENSIONS ARE IN MILLIMETERS AND TOLERANCES ARE AS FOLLOWS: <table border="1"> <tr> <td>0 - 6</td> <td>±0.1</td> </tr> <tr> <td>6 - 15</td> <td>±0.15</td> </tr> <tr> <td>15 - 60</td> <td>±0.2</td> </tr> <tr> <td>60 - 200</td> <td>±0.3</td> </tr> <tr> <td>200 - ∞</td> <td>±0.5</td> </tr> </table>	0 - 6	±0.1	6 - 15	±0.15	15 - 60	±0.2	60 - 200	±0.3	200 - ∞	±0.5	TITLE <b>ODC-0204ADM3</b>
0 - 6	±0.1												
6 - 15	±0.15												
15 - 60	±0.2												
60 - 200	±0.3												
200 - ∞	±0.5												
UNIT	mm	ANGULAR TOLERANCE ±0.5°											
SCALE	N/S												
MATERIAL													
<b>OPTO ELECTRONICS CO.,LTD</b>			D.W.G NO.	OD01-094-A									