

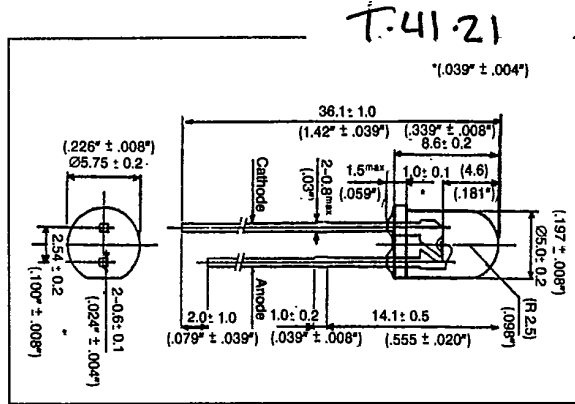
# STRAIGHT LEAD T-1 $\frac{3}{4}$ ULTRA BRIGHT LED LAMPS

## APPLICATIONS

- PANEL CIRCUIT INDICATOR
- LIGHTED SWITCHES
- BAR CODE SCANNER
- MEASURING EQUIPMENT

## FEATURES

- Ultra bright.
- All plastic mold type.
- Colorless clear lens.
- Low drive current, high intensity red light emission.
- Excellent on/off contrast ratio.
- Fast response time, capable of pulse operation.



## MAXIMUM RATINGS (Ta = 25°C)

PART NO.	FORWARD CURRENT (IF) (mA)	REVERSE VOLTAGE (VR) (V)	POWER DISSIPATION (PD) (mW)	OPERATING TEMPERATURE (Topr) (°C)	STORAGE TEMPERATURE (Tstg) (°C)
MT150F-URC	50	3	100	-20 ~ 80	-30 ~ 100
MT150F-URB	50	3	100	-20 ~ 80	-30 ~ 100
MT150F-URA	50	3	100	-20 ~ 80	-30 ~ 100

## OPTO-ELECTRICAL CHARACTERISTICS (Ta = 25°C)

PART NO.	MATERIAL	LENS COLOR	VIEWING ANGLE		LUMINOUS INTENSITY (mcd)				FORWARD VOLTAGE (v)			REVERSE CURRENT		PEAK WAVELENGTH (nm)	SPEC. LINE HALF WIDTH (nm)
			typ.	min.	typ.	max.	@mA	typ.	max.	@ mA	μA	Vr			
MT150F-URC	GaAlAs	Water/Clear	30°	3200	4000	5000	20	1.8	2.4	20	100	3	660	25	
MT150F-URB	GaAlAs	Water/Clear	30°	1600	2300	3200	20	1.8	2.4	20	100	3	660	25	
MT150F-URA	GaAlAs	Water/Clear	30°	800	1100	1800	20	1.8	2.4	20	100	3	660	25	