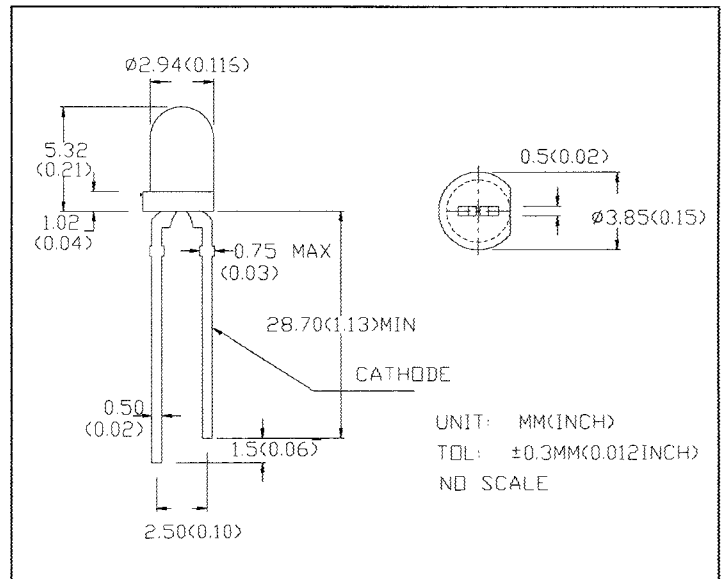


DESCRIPTION

MSC32 Series are red LED lamps with 3mm diameter epoxy package and long leads.
 MSC32C is red chip with red transparent lens.
 MSC32D is red chip with red diffused lens.
 MSC32T is red chip with clear transparent lens.
 MSC32W is red chip with clear diffused lens.



ABSOLUTE MAXIMUM RATINGS

Power Dissipation @ Ta=25°C	45mW
Forward Current, DC (IF)	15mA
Reverse Voltage	5V
Operating & Storage Temperature Range	-55 to +100°C
Lead Soldering Temperature (1/16" from body)	260°C for 5 sec.

ELECTRO-OPTICAL CHARACTERISTICS (Ta=25°C)

PARAMETER	SYMBOL	MSC32C	MSC32D	MSC32T	MSC32W	UNIT	CONDITIONS
Forward Voltage	MAX VF	3.0	3.0	3.0	3.0	V	IF=20mA
Reverse Breakdown Voltage	MIN BVR	5	5	5	5	V	IR=100 μ A
Luminous Intensity	MIN IV	5	1.8	5	1.8	mcd	IF=10mA
	TYP	7.5	2.5	7.5	2.5	mcd	
Peak Wavelength	TYP λ_p	700	700	700	700	nm	IF=20mA
Spectral Line Half Width	TYP $\Delta\lambda$	100	100	100	100	nm	IF=20mA
Viewing Angle	TYP 2 θ 1/2	30	50	30	50	degree	IF=10mA

