

Chip Beads(SMD Array) For Audio Signal Line

Conformity to RoHS Directive

MCZ Series MCZ1210-T Type(3-Line)

This is a common type bead product that removes the noise components in a signal line and includes beads for three lines in a single chip. The product exhibits substantial impedance characteristics in the high frequency range and is therefore capable of effectively removing differential mode noises.

Additionally, an appropriate amount of magnetic coupling is created between the beads of the three lines, giving the product the capability to remove not only differential mode noise but common mode noise as well. It is encased in a 1210 casing. This is an SMD product that allows for automatic mounting by taping.

FEATURES

- Compact size and for three lines
- Capable of removing both common and differential mode noises.
- Closed magnetic circuit structure allows high-density installation while preventing crosstalk between circuits.

APPLICATIONS

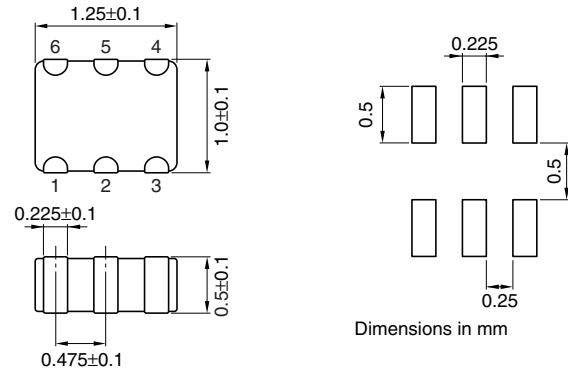
Audio signal lines used in cell phones and mobile audio devices.

PRODUCT IDENTIFICATION

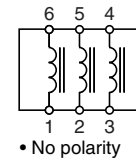
MCZ	1210	C	T	201	T
(1)	(2)	(3)	(4)	(5)	(6)

- (1) Series name
- (2) Dimensions L×W
- (3) Material code
- (4) Number of line
- (5) Impedance
201: 200Ω at 100MHz
- (6) Packaging style
T:Taping

SHAPES AND DIMENSIONS/RECOMMENDED PC BOARD PATTERN



CIRCUIT DIAGRAM



TEMPERATURE RANGES

Operating/Storage	-40 to +85°C
-------------------	--------------

PACKAGING STYLE AND QUANTITIES

Packaging style	Quantity
Taping	4000 pieces/reel

HANDLING AND PRECAUTIONS

- Before soldering, be sure to preheat components. The preheating temperature should be set so that the temperature difference between the solder temperature and product temperature does not exceed 150°C.
- After mounting components onto the printed circuit board, do not apply stress through board bending or mishandling.
- The inductance value may change due to magnetic saturation if the current exceeds the rated maximum.
- Do not expose the inductors to stray magnetic fields.
- Avoid static electricity discharge during handling.
- When hand soldering, apply the soldering iron to the printed circuit board only. Temperature of the iron tip should not exceed 350°C. Soldering time should not exceed 3 seconds.

• Conformity to RoHS Directive: This means that, in conformity with EU Directive 2002/95/EC, lead, cadmium, mercury, hexavalent chromium, and specific bromine-based flame retardants, PBB and PBDE, have not been used, except for exempted applications.

• Please contact our Sales office when your application are considered the following:
The device's failure or malfunction may directly endanger human life (e.g. application for automobile/aircraft/medical/nuclear power devices, etc.)

• All specifications are subject to change without notice.

ELECTRICAL CHARACTERISTICS

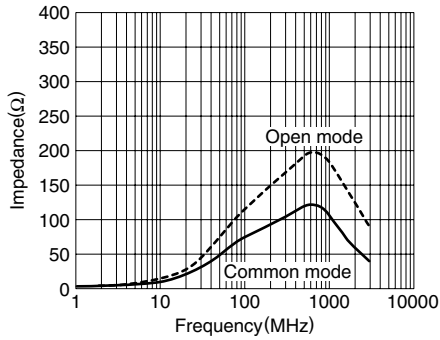
Part No.	Open mode impedance (Ω)[at 100MHz]*	DC resistance (Ω)max.	Insulation resistance (M Ω)min.	Rated voltage (V)max.	Rated current (mA)max.	Thickness T (mm)
MCZ1210CT121T	120 \pm 25%	0.6	1	5	100	0.5
MCZ1210CT201T	200 \pm 25%	0.8	1	5	100	0.5

* Test equipment: E4991A or equivalent
 Test tool: 16192A or equivalent

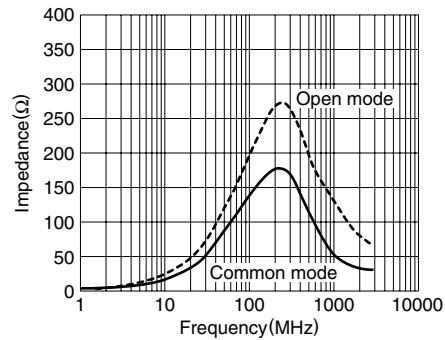
TYPICAL ELECTRICAL CHARACTERISTICS

IMPEDANCE vs. FREQUENCY CHARACTERISTICS

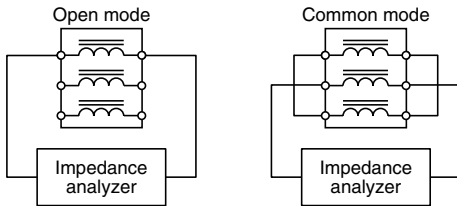
MCZ1210CT121T



MCZ1210CT201T

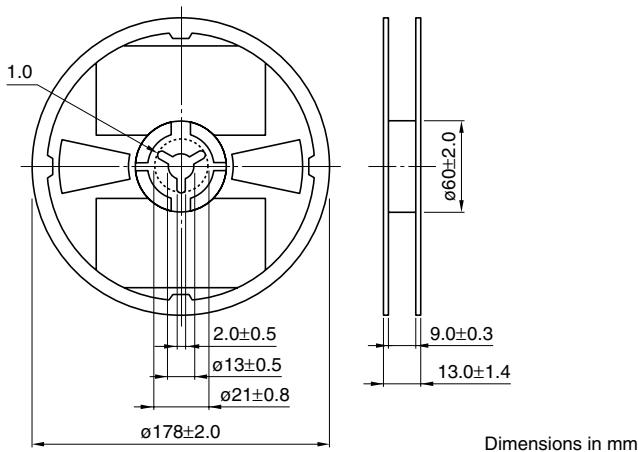


MEASURING CIRCUITS



PACKAGING STYLES

REEL DIMENSIONS



TAPE DIMENSIONS

