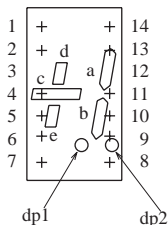


Numeric Display

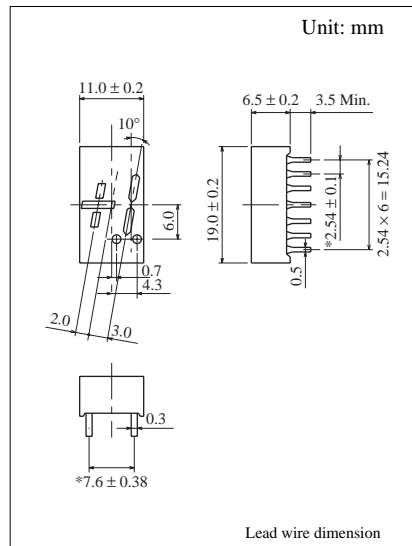
11.0 mm (.4") Series

Conventional Part No. Global Part No. Lighting Color
 LN504R LNM274ZA01 Red
 LN504G LNM374ZA01 Green
 LN504Y LNM474ZA01 Amber

Terminal Connection



Pin No.	Assignment
1	Cathode d
2	Anode d
3	—
4	Cathode c
5	Cathode e
6	Anode e
7	Anode c
8	Anode ^{dp1}
9	Cathode ^{dp2}
10	Cathode b
11	Cathode a
12	—
13	Anode a
14	Anode b



■ Absolute Maximum Ratings (T_a = 25°C)

Lighting Color	P _D (mW)	I _F (mA)	I _{FP} (mA)*	V _R (V)	T _{opr} (°C)	T _{stg} (°C)
Red	60	20	100	5	-25 ~ +80	-30 ~ +85
Green	60	20	100	5	-25 ~ +80	-30 ~ +85
Amber	60	20	100	5	-25 ~ +80	-30 ~ +85

I_{FP}の条件は μ duty 10% ,Pulse width 1 msec. The condition of I_{FP} is duty 10%, Pulse width 1 msec

■ Electro-Optical Characteristics (T_a = 25°C)

Conventional Part No.	Lighting Color	Common	I _O / seg		I _F	V _F		λ_P	$\Delta\lambda$	I _F	I _R		
			Typ	Min		Typ	Typ				Max	V _R	
LN504R	Red	—	450	150	150	5	2.2	2.8	700	100	20	10	5
LN504G	Green	—	1500	500	500	10	2.2	2.8	565	30	20	10	5
LN504Y	Amber	—	600	200	200	10	2.2	2.8	590	30	20	10	5
Unit	—	—	μ cd	μ cd	μ cd	mA	V	V	nm	nm	mA	μ A	V

