



KBPC15, 25, 35 SERIES

HIGH CURRENT 15, 25, 35 AMPS SINGLE PHASE GLASS PASSIVATED BRIDGE RECTIFIERS



FEATURES

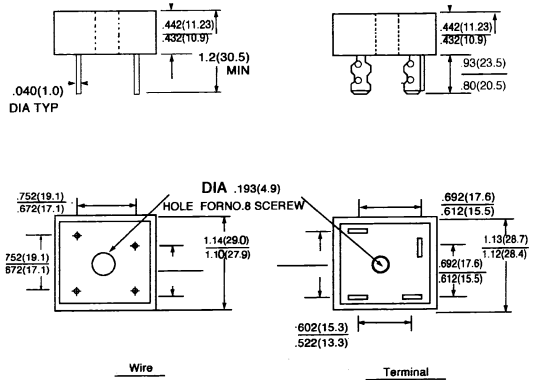
- * Metal case with an electrically isolated mylar
- * Rating to 1,000V PRV
- * High efficiency
- * Mounting: thru hole for # 10 screw
- * High temperature soldering guaranteed: 260°C/10 seconds at 5 lbs., (2.3 kg) tension
- * Terminals solderables per MIL – STD – 202. method 208
- * Isolated voltage from case to lead over 2000 volts

VOLTAGE RANGE

50 to 1000 Volts
CURRENT
15.0/25.0/35.0 Amperes

KBPC-W

KBPC



Dimensions in inches and (millimeters)

MAXIMUM RATINGS AND ELECTRICAL CHARACTERISTICS

Rating at 25°C ambient temperature unless otherwise specified.
60 Hz, resistive or inductive load. For capacitive load, derate current by 20%

TYPE NUMBER	SYMBOLS	-00G	-01G	-02G	-04G	-06G	-08G	-10G	UNITS
Maximum Recurrent Peak Reverse Voltage	V_{RRM}	50	100	200	400	600	800	1000	V
Maximum RMS Voltage	V_{RMS}	35	70	140	280	420	560	700	V
Maximum D. C Blocking Voltage	V_{DC}	50	100	200	400	600	800	1000	V
Maximum Average Forward Rectified Output Current @ $T_C = 55^\circ\text{C}$ (See Fig. 1)	$I_{F(AV)}$	KBPC15 15.0 KBPC25 25.0 KBPC35 35.0							A
Peak Forward Surge Current single sine-wave superimposed on rated load (JEDEC method)	I_{FSM}	KBPC15 200 KBPC25 300 KBPC35 400							A
Maximum Instantaneous Forward Voltage Drop per Element at Specified Current	V_F	KBPC15 7.5A KBPC25 12.5A KBPC35 17.5A						1.10	V
Maximum Reverse DC Current at Rated D. C Blocking Voltage per Element	I_R							10.0	μA
Typical Thermal Resistance <1>	$R_{\theta JC}$							2.0	$^\circ\text{C}/\text{W}$
Operating and Storage Temperature Range	T_J, T_{STG}							-50 to +150	$^\circ\text{C}$

Notes: 1. Thermal Resistance from Junction to Case Per leg.

2. Bolt down on heatsink with silicone thermal compound between bridge and mounting surface for maximum heat transfer with # 10 screw

3. Suffix "W" – Wire Lead Structure.

RATINGS AND CHARACTERISTIC CURVES

KBPC1500G **KBPC1510G**
(KMPC2500G THRU KBPC2510G)
KBPC3500G **KBPC3510G**

FIG. 1 - TYPICAL FORWARD OUTPUT CURRENT DERATING CURVE

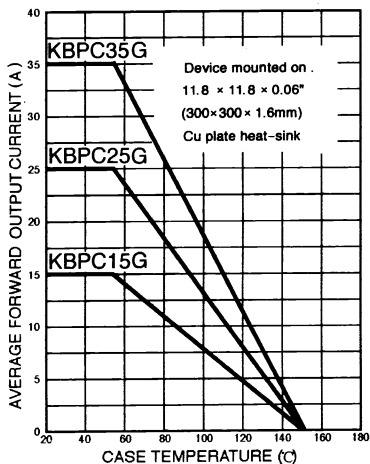


FIG. 2 - MAXIMUM NON-REPETITIVE SURGE CURRENT - PER ELEMENT

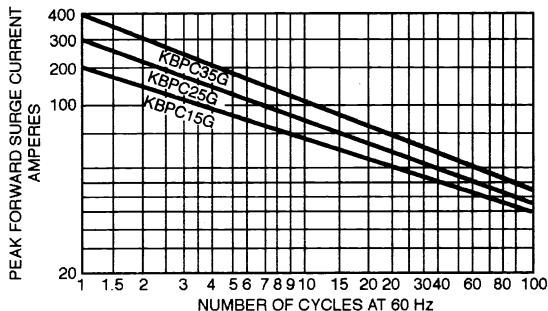


FIG. 3 - TYPICAL REVERSE CHARACTERISTICS PER ELEMENT

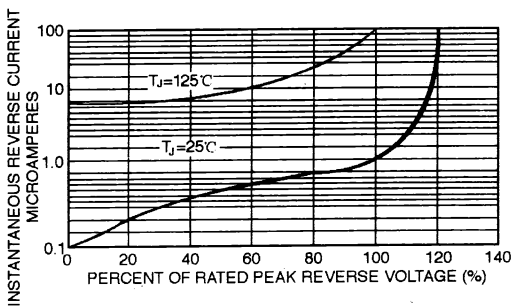


FIG. 4 - TYPICAL FORWARD CHARACTERISTICS - PER ELEMENT

