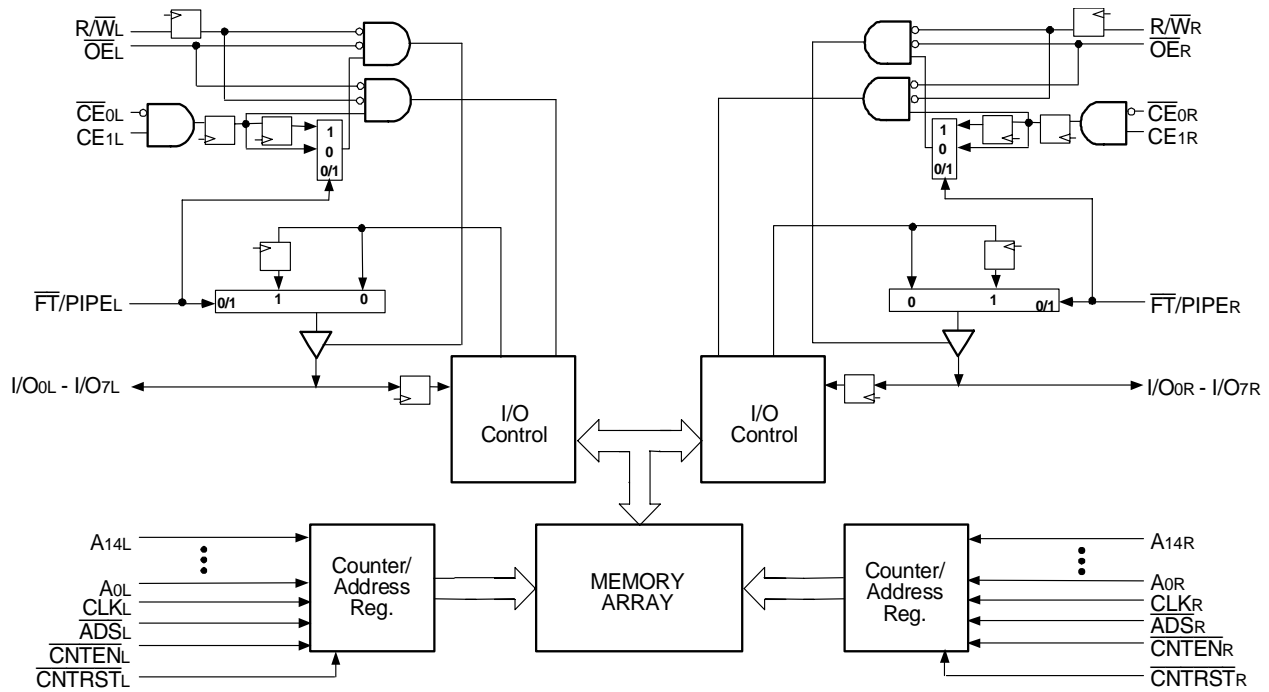


## Features:

- ◆ True Dual-Ported memory cells which allow simultaneous access of the same memory location
- ◆ High-speed clock to data access
  - Commercial: 9/12/15ns (max.)
  - Industrial: 12ns (max.)
- ◆ Low-power operation
  - IDT709079S  
Active: 950mW (typ.)  
Standby: 5mW (typ.)
  - IDT709079L  
Active: 950mW (typ.)  
Standby: 1mW (typ.)
- ◆ Flow-Through or Pipelined output mode on either port via the  $\overline{\text{FT}}/\text{PIPER}$  pin
- ◆ Counter enable and reset features
- ◆ Dual chip enables allow for depth expansion without additional logic
- ◆ Full synchronous operation on both ports
  - 4ns setup to clock and 1ns hold on all control, data, and address inputs
  - Data input, address, and control registers
  - Fast 9ns clock to data out in the Pipelined output mode
  - Self-timed write allows fast cycle time
  - 15ns cycle time, 66MHz operation in the Pipelined output mode
- ◆ TTL-compatible, single 5V ( $\pm 10\%$ ) power supply
- ◆ Industrial temperature range ( $-40^{\circ}\text{C}$  to  $+85^{\circ}\text{C}$ ) is available for selected speeds
- ◆ Available in a 100 pin Thin Quad Flatpack (TQFP)

## Functional Block Diagram



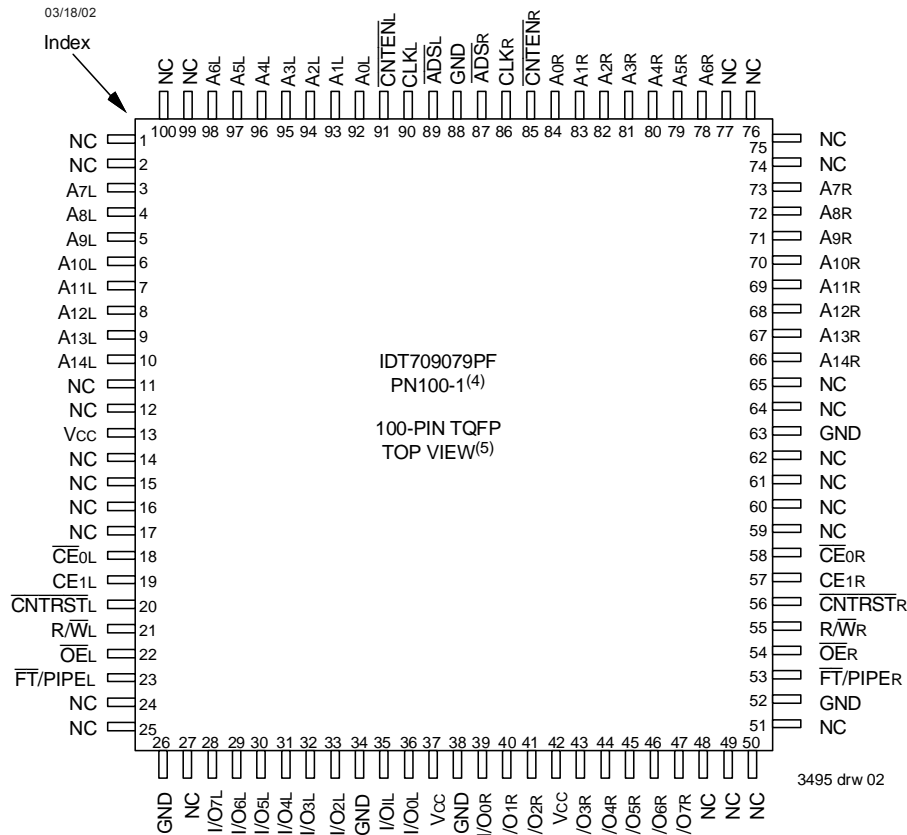
3495 drw 01

### Description:

The IDT709079 is a high-speed 32K x 8 bit synchronous Dual-Port RAM. The memory array utilizes Dual-Port memory cells to allow simultaneous access of any address from both ports. Registers on control, data, and address inputs provide minimal setup and hold times. The timing latitude provided by this approach allows systems to be designed with very short cycle times.

With an input data register, the IDT709079 has been optimized for applications having unidirectional or bidirectional data flow in bursts. An automatic power down feature, controlled by  $\overline{CE0}$  and  $CE1$ , permits the on-chip circuitry of each port to enter a very low standby power mode. Fabricated using IDT's CMOS high-performance technology, these devices typically operate on only 950mW of power.

### Pin Configurations<sup>(1,2,3)</sup>



**NOTES:**

1. All Vcc pins must be connected to power supply.
2. All GND pins must be connected to ground supply.
3. Package body is approximately 14mm x 14mm x 1.4mm.
4. This package code is used to reference the package diagram.
5. This text does not indicate orientation of the actual part-marking.

## Pin Names

Left Port	Right Port	Names
$\overline{CE}_{0L}$ , CE <sub>1L</sub>	$\overline{CE}_{0R}$ , CE <sub>1R</sub>	Chip Enables
R/ $\overline{WL}$	R/ $\overline{WR}$	Read/Write Enable
$\overline{OE}_L$	$\overline{OE}_R$	Output Enable
A <sub>0L</sub> - A <sub>14L</sub>	A <sub>0R</sub> - A <sub>14R</sub>	Address
I/O <sub>0L</sub> - I/O <sub>7L</sub>	I/O <sub>0R</sub> - I/O <sub>7R</sub>	Data Input/Output
CLK <sub>L</sub>	CLK <sub>R</sub>	Clock
$\overline{ADS}_L$	$\overline{ADS}_R$	Address Strobe
$\overline{CNTEN}_L$	$\overline{CNTEN}_R$	Counter Enable
$\overline{CNTRST}_L$	$\overline{CNTRST}_R$	Counter Reset
$\overline{FT/PIPE}_L$	$\overline{FT/PIPE}_R$	Flow-Through/Pipeline
VCC		Power
GND		Ground

3495 tbl 01

## Truth Table I—Read/Write and Enable Control<sup>(1,2,3)</sup>

$\overline{OE}$	CLK	$\overline{CE}_0$	CE <sub>1</sub>	R/ $\overline{W}$	I/O <sub>0-7</sub>	Mode
X	↑	H	X	X	High-Z	Deselected
X	↑	X	L	X	High-Z	Deselected
X	↑	L	H	L	D <sub>IN</sub>	Write
L	↑	L	H	H	D <sub>OUT</sub>	Read
H	X	L	H	X	High-Z	Outputs Disabled

3495 tbl 02

### NOTES:

- "H" = V<sub>IH</sub>, "L" = V<sub>IL</sub>, "X" = Don't Care.
- $\overline{ADS}$ ,  $\overline{CNTEN}$ ,  $\overline{CNTRST}$  = X.
- $\overline{OE}$  is an asynchronous input signal.

## Truth Table II—Address Counter Control<sup>(1,2)</sup>

Address	Previous Address	Addr Used	CLK	$\overline{ADS}$	$\overline{CNTEN}$	$\overline{CNTRST}$	I/O <sup>(3)</sup>	MODE
X	X	0	↑	X	X	L <sup>(4)</sup>	D <sub>IO</sub> (0)	Counter Reset to Address 0
An	X	An	↑	L <sup>(4)</sup>	X	H	D <sub>IO</sub> (n)	External Address Used
An	Ap	Ap	↑	H	H	H	D <sub>IO</sub> (p)	External Address Blocked—Counter disabled (Ap reused)
X	Ap	Ap + 1	↑	H	L <sup>(5)</sup>	H	D <sub>IO</sub> (p+1)	Counter Enabled—Internal Address generation

3495 tbl 03

### NOTES:

- "H" = V<sub>IH</sub>, "L" = V<sub>IL</sub>, "X" = Don't Care.
- $\overline{CE}_0$  and  $\overline{OE}$  = V<sub>IL</sub>; CE<sub>1</sub> and R/ $\overline{W}$  = V<sub>IH</sub>.
- Outputs configured in Flow-Through Output mode; if outputs are in Pipelined mode the data out will be delayed by one cycle.
- $\overline{ADS}$  is independent of all other signals including  $\overline{CE}_0$  and CE<sub>1</sub>.
- The address counter advances if  $\overline{CNTEN}$  = V<sub>IL</sub> on the rising edge of CLK, regardless of all other signals including  $\overline{CE}_0$  and CE<sub>1</sub>.

## Recommended Operating Temperature and Supply Voltage<sup>(1)</sup>

Grade	Ambient Temperature <sup>(1)</sup>	GND	V <sub>CC</sub>
Commercial	0°C to +70°C	0V	5.0V ± 10%
Industrial	-40°C to +85°C	0V	5.0V ± 10%

3495 tbl 04

**NOTES:**

1. This is the parameter T<sub>A</sub>. This is the "instant on" case temperature.

## Recommended DC Operating Conditions

Symbol	Parameter	Min.	Typ.	Max.	Unit
V <sub>CC</sub>	Supply Voltage	4.5	5.0	5.5	V
GND	Ground	0	0	0	V
V <sub>IH</sub>	Input High Voltage	2.2	—	6.0 <sup>(1)</sup>	V
V <sub>IL</sub>	Input Low Voltage	-0.5 <sup>(2)</sup>	—	0.8	V

3495 tbl 05

**NOTES:**

1. V<sub>TERM</sub> must not exceed V<sub>CC</sub> +10%.
2. V<sub>IL</sub> ≥ -1.5V for pulse width less than 10ns.

## Absolute Maximum Ratings<sup>(1)</sup>

Symbol	Rating	Commercial & Industrial	Unit
V <sub>TERM</sub> <sup>(2)</sup>	Terminal Voltage with Respect to GND	-0.5 to +7.0	V
T <sub>BIAS</sub>	Temperature Under Bias	-55 to +125	°C
T <sub>STG</sub>	Storage Temperature	-65 to +150	°C
I <sub>OUT</sub>	DC Output Current	50	mA

3495 tbl 06

**NOTES:**

1. Stresses greater than those listed under ABSOLUTE MAXIMUM RATINGS may cause permanent damage to the device. This is a stress rating only and functional operation of the device at these or any other conditions above those indicated in the operational sections of this specification is not implied. Exposure to absolute maximum rating conditions for extended periods may affect reliability.
2. V<sub>TERM</sub> must not exceed V<sub>CC</sub> +10% for more than 25% of the cycle time or 10ns maximum, and is limited to ≤ 20mA for the period of V<sub>TERM</sub> ≥ V<sub>CC</sub> + 10%.

## Capacitance (T<sub>A</sub> = +25°C, f = 1.0MHz)

Symbol	Parameter <sup>(1)</sup>	Conditions <sup>(2)</sup>	Max.	Unit
C <sub>IN</sub>	Input Capacitance	V <sub>IN</sub> = 3dV	9	pF
C <sub>OUT</sub> <sup>(3)</sup>	Output Capacitance	V <sub>OUT</sub> = 3dV	10	pF

3495 tbl 07

**NOTES:**

1. These parameters are determined by device characterization, but are not production tested.
2. 3dV references the interpolated capacitance when the input and output switch from 0V to 3V or from 3V to 0V.
3. C<sub>OUT</sub> also references C<sub>I/O</sub>.

### DC Electrical Characteristics Over the Operating Temperature and Supply Voltage Range ( $V_{CC} = 5.0V \pm 10\%$ )

Symbol	Parameter	Test Conditions	709079S/L		Unit
			Min.	Max.	
$ I_{LI} $	Input Leakage Current <sup>(1)</sup>	$V_{CC} = 5.5V, V_{IN} = 0V \text{ to } V_{CC}$	—	10	$\mu A$
$ I_{LO} $	Output Leakage Current	$\overline{CE}_0 = V_{IH} \text{ or } CE_1 = V_{IL}, V_{OUT} = 0V \text{ to } V_{CC}$	—	10	$\mu A$
$V_{OL}$	Output Low Voltage	$I_{OL} = +4mA$	—	0.4	V
$V_{OH}$	Output High Voltage	$I_{OH} = -4mA$	2.4	—	V

3495 tbl 08

**NOTE:**

- At  $V_{CC} \leq 2.0V$  input leakages are undefined.

### DC Electrical Characteristics Over the Operating Temperature and Supply Voltage Range<sup>(6)</sup> ( $V_{CC} = 5V \pm 10\%$ )

Symbol	Parameter	Test Condition	Version	709079X9 Com'l Only		709079X12 Com'l & Ind		709079X15 Com'l Only		Unit	
				Typ. <sup>(4)</sup>	Max.	Typ. <sup>(4)</sup>	Max.	Typ. <sup>(4)</sup>	Max.		
I <sub>CC</sub>	Dynamic Operating Current (Both Ports Active)	$\overline{CE}_L \text{ and } \overline{CE}_R = V_{IH},$ Outputs Disabled $f = f_{MAX}^{(1)}$	COM'L	S	210	390	200	345	190	325	mA
				L	210	350	200	305	190	285	
I <sub>SB1</sub>	Standby Current (Both Ports - TTL Level Inputs)	$\overline{CE}_L \text{ and } \overline{CE}_R = V_{IH}$  $f = f_{MAX}^{(1)}$	IND	S	—	—	200	380	—	—	mA
				L	—	—	200	340	—	—	
I <sub>SB2</sub>	Standby Current (One Port - TTL Level Inputs)	$\overline{CE}_A^* = V_{IL} \text{ and } \overline{CE}_B^* = V_{IH}^{(3)}$ Active Port Outputs Disabled, $f = f_{MAX}^{(1)}$	COM'L	S	140	270	130	230	120	220	mA
				L	140	240	130	200	120	190	
I <sub>SB3</sub>	Full Standby Current (Both Ports - CMOS Level Inputs)	Both Ports $\overline{CE}_R$ and $\overline{CE}_L \geq V_{CC} - 0.2V$ $V_{IN} \geq V_{CC} - 0.2V$ or $V_{IN} \leq 0.2V, f = 0^{(2)}$	COM'L	S	1.0	15	1.0	15	1.0	15	mA
				L	0.2	5	0.2	5	0.2	5	
I <sub>SB4</sub>	Full Standby Current (One Port - CMOS Level Inputs)	$\overline{CE}_A^* < 0.2V$ and $\overline{CE}_B^* \geq V_{CC} - 0.2V^{(5)}$ $V_{IN} \geq V_{CC} - 0.2V$ or $V_{IN} \leq 0.2V$ Active Port Outputs Disabled $f = f_{MAX}^{(1)}$	COM'L	S	130	245	120	205	110	195	mA
				L	130	225	120	185	110	175	
			IND	S	—	—	120	220	—	—	
				L	—	—	120	200	—	—	

3495 tbl 09

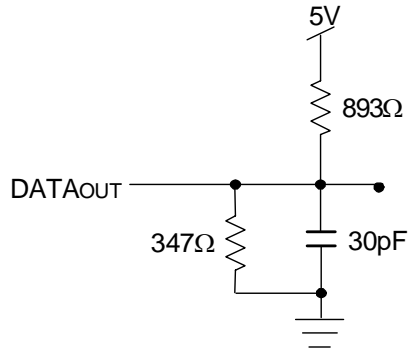
**NOTES:**

- At  $f = f_{MAX}$ , address and control lines (except Output Enable) are cycling at the maximum frequency clock cycle of  $1/t_{cyc}$ , using "AC TEST CONDITIONS" at input levels of GND to 3V.
- $f = 0$  means no address, clock, or control lines change. Applies only to input at CMOS level standby.
- Port "A" may be either left or right port. Port "B" is the opposite from port "A".
- $V_{CC} = 5V, T_A = 25^\circ C$  for Typ, and are not production tested.  $I_{CC DC}(f=0) = 150mA$  (Typ).
- $\overline{CE}_X = V_{IL}$  means  $\overline{CE}_{0X} = V_{IL}$  and  $CE_{1X} = V_{IH}$   
 $\overline{CE}_X = V_{IH}$  means  $\overline{CE}_{0X} = V_{IH}$  or  $CE_{1X} = V_{IL}$   
 $\overline{CE}_X \leq 0.2V$  means  $\overline{CE}_{0X} \leq 0.2V$  and  $CE_{1X} \geq V_{CC} - 0.2V$   
 $\overline{CE}_X \geq V_{CC} - 0.2V$  means  $\overline{CE}_{0X} \geq V_{CC} - 0.2V$  or  $CE_{1X} \leq 0.2V$   
 "X" represents "L" for left port or "R" for right port.
- 'X' in part number indicates power rating (S or L).

### AC Test Conditions

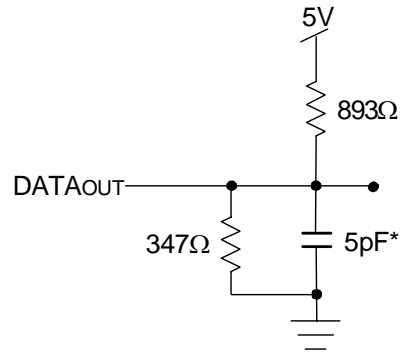
Input Pulse Levels	GND to 3.0V
Input Rise/Fall Times	3ns Max.
Input Timing Reference Levels	1.5V
Output Reference Levels	1.5V
Output Load	Figures 1,2 and 3

3495 tbl 10



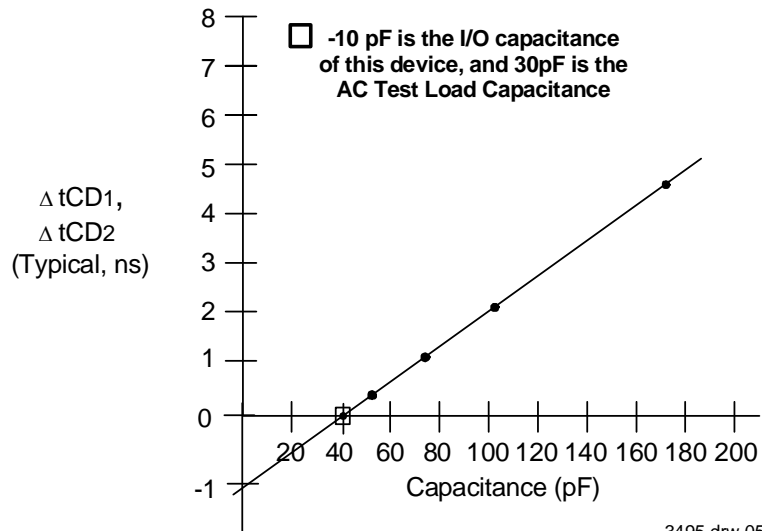
3495 drw 03

Figure 1. AC Output Test load.



3495 drw 04

Figure 2. Output Test Load  
(For t<sub>CKLZ</sub>, t<sub>CKHZ</sub>, t<sub>OLZ</sub>, and t<sub>OHZ</sub>).  
\*Including scope and jig.



3495 drw 05

Figure 3. Typical Output Derating (Lumped Capacitive Load).

## AC Electrical Characteristics Over the Operating Temperature Range (Read and Write Cycle Timing)<sup>(3,4)</sup> (V<sub>CC</sub> = 5V ± 10%, T<sub>A</sub> = 0°C to +70°C)

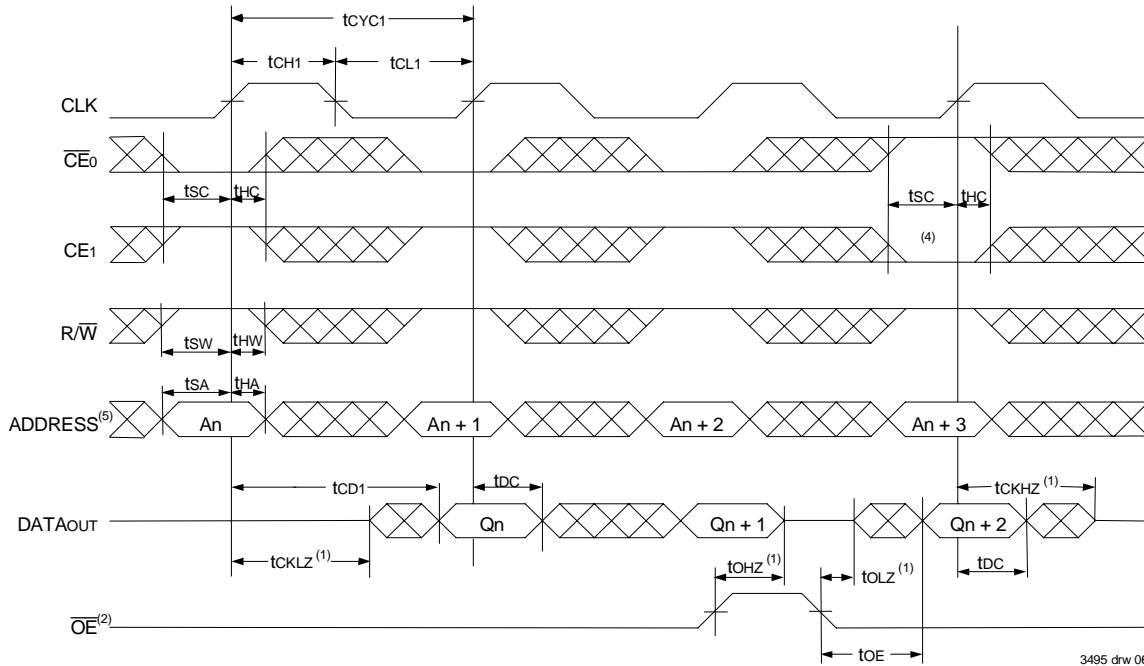
Symbol	Parameter	709079X9 Com'l Only		709079X12 Com'l & Ind		709079X15 Com'l Only		Unit
		Min.	Max.	Min.	Max.	Min.	Max.	
t <sub>CYC1</sub>	Clock Cycle Time (Flow-Through) <sup>(2)</sup>	25	—	30	—	35	—	ns
t <sub>CYC2</sub>	Clock Cycle Time (Pipelined) <sup>(2)</sup>	15	—	20	—	25	—	ns
t <sub>CH1</sub>	Clock High Time (Flow-Through) <sup>(2)</sup>	12	—	12	—	12	—	ns
t <sub>CL1</sub>	Clock Low Time (Flow-Through) <sup>(2)</sup>	12	—	12	—	12	—	ns
t <sub>CH2</sub>	Clock High Time (Pipelined) <sup>(2)</sup>	6	—	8	—	10	—	ns
t <sub>CL2</sub>	Clock Low Time (Pipelined) <sup>(2)</sup>	6	—	8	—	10	—	ns
t <sub>R</sub>	Clock Rise Time	—	3	—	3	—	3	ns
t <sub>F</sub>	Clock Fall Time	—	3	—	3	—	3	ns
t <sub>SA</sub>	Address Setup Time	4	—	4	—	4	—	ns
t <sub>HA</sub>	Address Hold Time	1	—	1	—	1	—	ns
t <sub>SC</sub>	Chip Enable Setup Time	4	—	4	—	4	—	ns
t <sub>HC</sub>	Chip Enable Hold Time	1	—	1	—	1	—	ns
t <sub>SW</sub>	R/W Setup Time	4	—	4	—	4	—	ns
t <sub>HW</sub>	R/W Hold Time	1	—	1	—	1	—	ns
t <sub>SD</sub>	Input Data Setup Time	4	—	4	—	4	—	ns
t <sub>HD</sub>	Input Data Hold Time	1	—	1	—	1	—	ns
t <sub>SAD</sub>	$\overline{ADS}$ Setup Time	4	—	4	—	4	—	ns
t <sub>HAD</sub>	$\overline{ADS}$ Hold Time	1	—	1	—	1	—	ns
t <sub>SCN</sub>	$\overline{CNTEN}$ Setup Time	4	—	4	—	4	—	ns
t <sub>HCN</sub>	$\overline{CNTEN}$ Hold Time	1	—	1	—	1	—	ns
t <sub>SRST</sub>	$\overline{CNTRST}$ Setup Time	4	—	4	—	4	—	ns
t <sub>HRST</sub>	$\overline{CNTRST}$ Hold Time	1	—	1	—	1	—	ns
t <sub>OE</sub>	Output Enable to Data Valid	—	12	—	12	—	15	ns
t <sub>OLZ</sub>	Output Enable to Output Low-Z <sup>(1)</sup>	2	—	2	—	2	—	ns
t <sub>OHZ</sub>	Output Enable to Output High-Z <sup>(1)</sup>	1	7	1	7	1	7	ns
t <sub>CD1</sub>	Clock to Data Valid (Flow-Through) <sup>(2)</sup>	—	20	—	25	—	30	ns
t <sub>CD2</sub>	Clock to Data Valid (Pipelined) <sup>(2)</sup>	—	9	—	12	—	15	ns
t <sub>DC</sub>	Data Output Hold After Clock High	2	—	2	—	2	—	ns
t <sub>CKHZ</sub>	Clock High to Output High-Z <sup>(1)</sup>	2	9	2	9	2	9	ns
t <sub>CKLZ</sub>	Clock High to Output Low-Z <sup>(1)</sup>	2	—	2	—	2	—	ns
<b>Port-to-Port Delay</b>								
t <sub>CWDD</sub>	Write Port Clock High to Read Data Delay	—	40	—	40	—	50	ns
t <sub>CCS</sub>	Clock-to-Clock Setup Time	—	15	—	15	—	20	ns

**NOTES:**

3495 bl 11

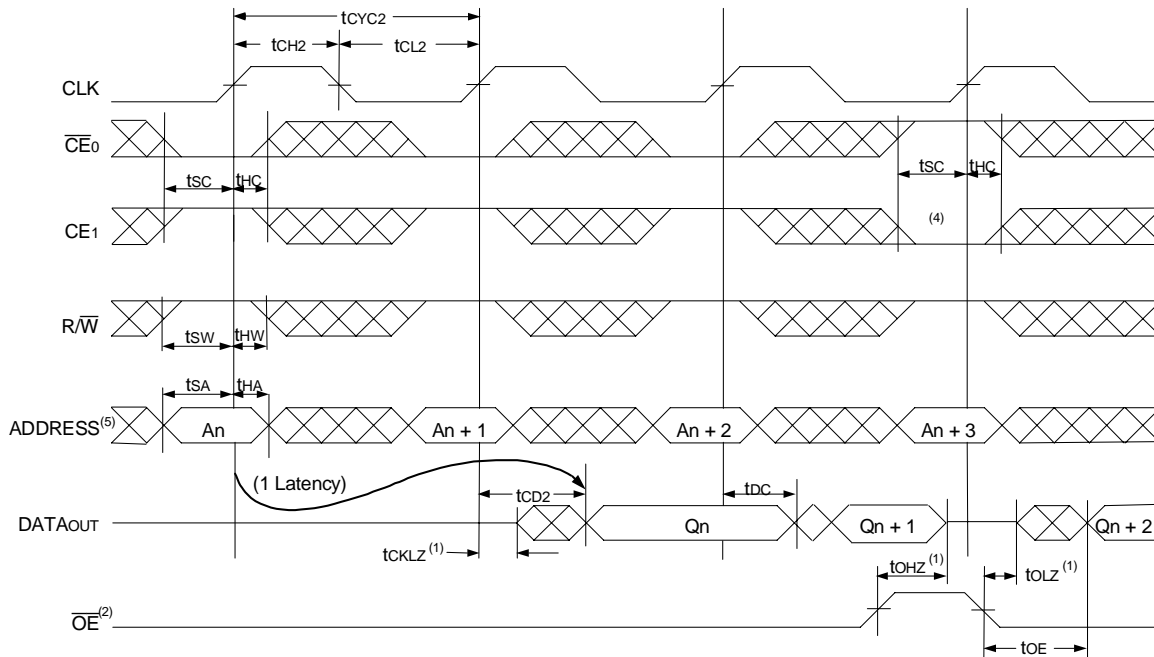
- Transition is measured 0mV from Low or High-impedance voltage with the Output Test Load (Figure 2).  
This parameter is guaranteed by device characterization, but is not production tested.
- The Pipelined output parameters (t<sub>CYC2</sub>, t<sub>CD2</sub>) apply to either port. The Right Port uses the Pipelined t<sub>CYC2</sub> and t<sub>CD2</sub> when  $\overline{FT}/PIPE^{\ast X} = V_{IH}$  and the Flow-Through parameters (t<sub>CYC1</sub>, t<sub>CD1</sub>) when  $\overline{FT}/PIPE^{\ast X} = V_{IL}$ .
- All input signals are synchronous with respect to the clock except for the asynchronous Output Enable (OE) and  $\overline{FT}/PIPE^{\ast X}$ .  $\overline{FT}/PIPE^{\ast X}$  should be treated as a DC signal, i.e. steady state during operation.
- 'X' in part number indicates power rating (S or L).

### Timing Waveform of Read Cycle for Flow-Through Output on Right Port ( $\overline{FT}/\text{PIPE}^{\text{X}} = V_{IL}$ )<sup>(3)</sup>



3495 drw 06

### Timing Waveform of Read Cycle for Pipelined Operation ( $\overline{FT}/\text{PIPE}^{\text{X}} = V_{IH}$ )<sup>(3,6)</sup>



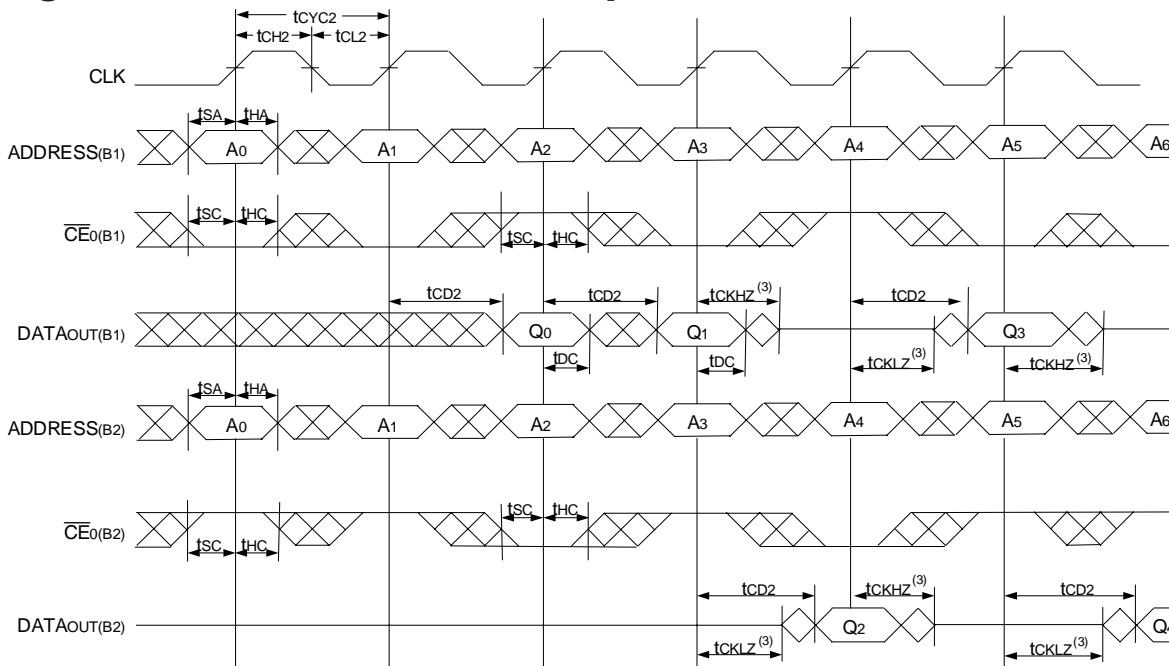
3495 drw 07

**NOTES:**

1. Transition is measured 0mV from Low or High-impedance voltage with the Output Test Load (Figure 2).
2.  $\overline{OE}$  is asynchronously controlled; all other inputs are synchronous to the rising clock edge.
3.  $\overline{ADS} = V_{IL}$ ,  $\overline{CNTEN}$  and  $\overline{CNRST} = V_{IH}$ .
4. The output is disabled (High-impedance state) by  $\overline{CE0} = V_{IH}$  or  $CE1 = V_{IL}$  following the next rising edge of clock. Refer to Truth Table 1.
5. Addresses do not have to be accessed sequentially since  $\overline{ADS} = V_{IL}$  constantly loads the address on the rising edge of the CLK; numbers are for reference use only.
6. "x" denotes Left or Right port. The diagram is with respect to that port.

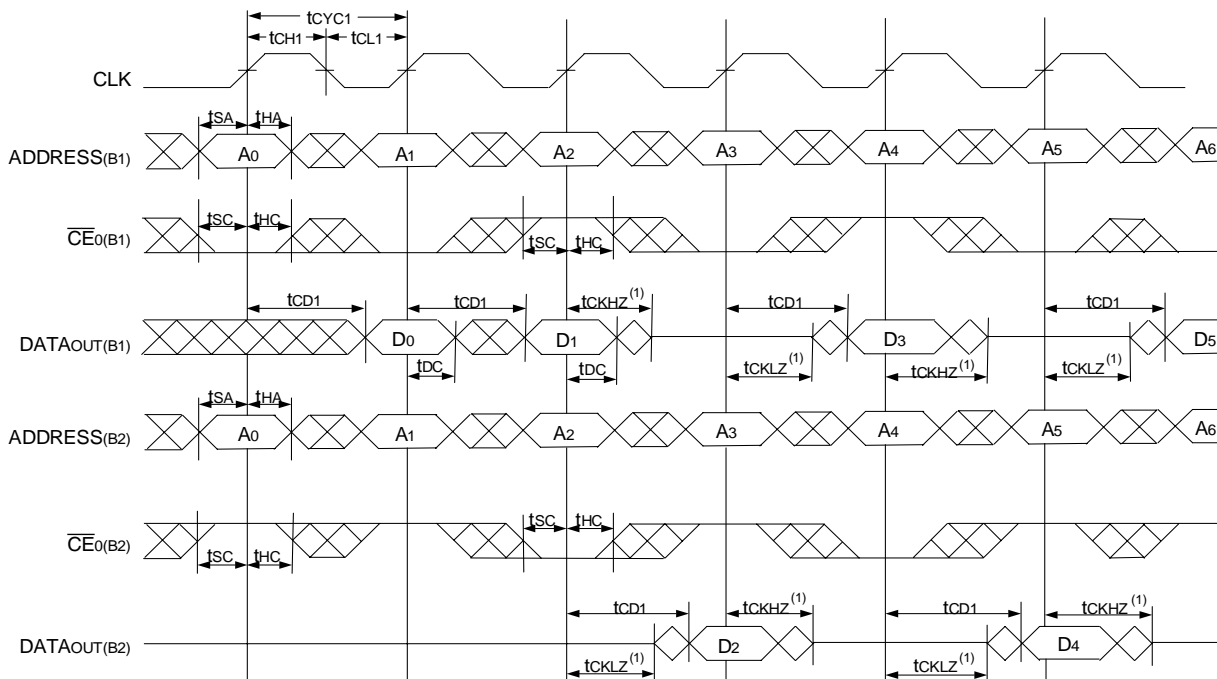


### Timing Waveform of a Bank Select Pipelined Read<sup>(1,2)</sup>



3495 drw 08

### Timing Waveform of a Bank Select Flow-Through Read<sup>(6)</sup>

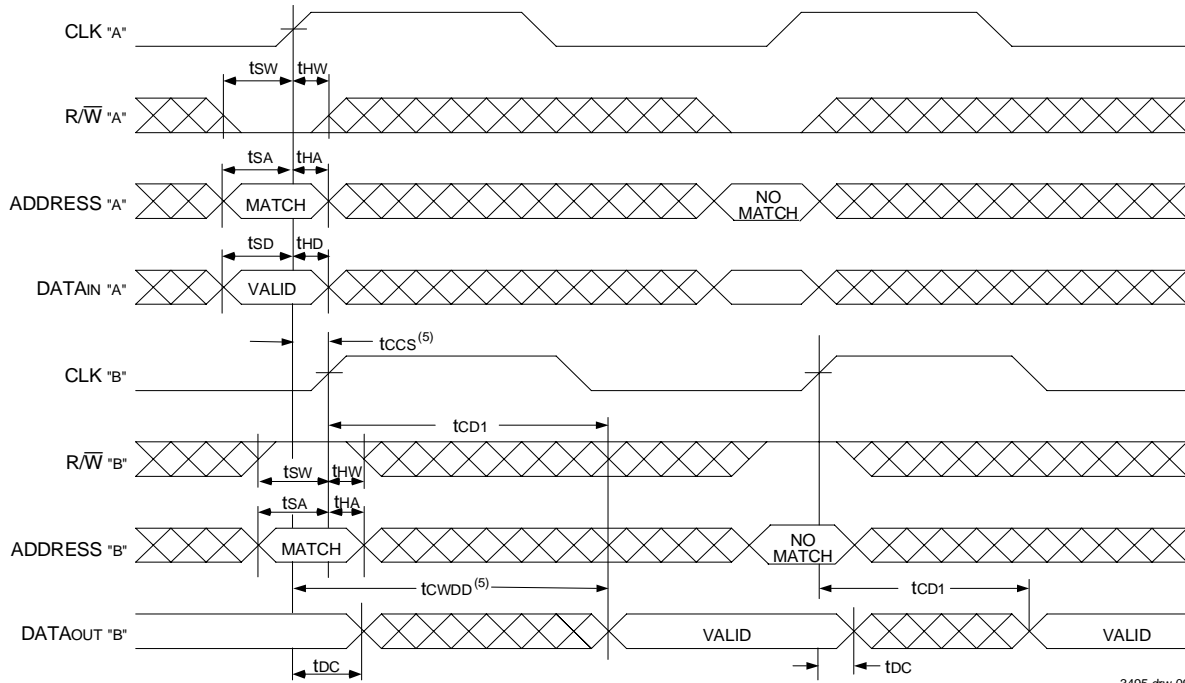


3495 drw 08a

**NOTES:**

1. B1 Represents Bank #1; B2 Represents Bank #2. Each Bank consists of one IDT709079 for this waveform, and are setup for depth expansion in this example. ADDRESS<sub>(B1)</sub> = ADDRESS<sub>(B2)</sub> in this situation.
2.  $\overline{OE}$  and  $\overline{ADS} = V_{IL}$ ;  $CE_{1(B1)}$ ,  $CE_{1(B2)}$ ,  $\overline{RW}$ ,  $\overline{CNTEN}$ , and  $\overline{CNTRST} = V_{IH}$ .
3. Transition is measured 0mV from Low or High-impedance voltage with the Output Test Load (Figure 2).
4.  $\overline{CE}_0$  and  $\overline{ADS} = V_{IL}$ ;  $CE_1$ ,  $\overline{CNTEN}$ , and  $\overline{CNTRST} = V_{IH}$ .
5.  $\overline{OE} = V_{IL}$  for the Right Port, which is being read from.  $\overline{OE} = V_{IH}$  for the Left Port, which is being written to.
6. If  $t_{CCS} \leq$  maximum specified, then data from right port READ is not valid until the maximum specified for  $t_{CWDD}$ .  
If  $t_{CCS} >$  maximum specified, then data from right port READ is not valid until  $t_{CCS} + t_{CD1}$ .  $t_{CWDD}$  does not apply in this case.

## Timing Waveform of a Left Port Write Flow-Through Right Port Read<sup>(1,2,3,4)</sup>



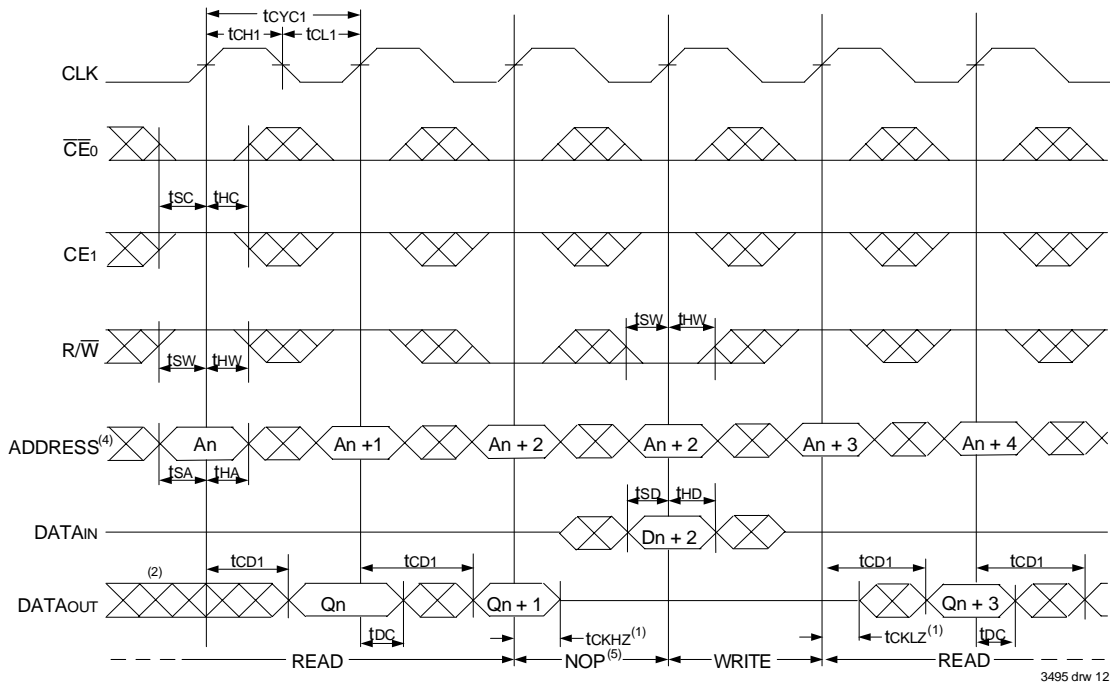
3495 drw 09

### NOTES:

1.  $\overline{OE}$  and  $\overline{ADS} = V_{IL}$ ;  $CE_{1(B1)}$ ,  $CE_{1(B2)}$ ,  $R\overline{W}$ ,  $\overline{CNTEN}$ , and  $\overline{CNTRST} = V_{IH}$ .
2. Transition is measured 0mV from Low or High-impedance voltage with the Output Test Load (Figure 2).
3.  $\overline{CE_0}$  and  $\overline{ADS} = V_{IL}$ ;  $CE_1$ ,  $\overline{CNTEN}$ , and  $\overline{CNTRST} = V_{IH}$ .
4.  $\overline{OE} = V_{IL}$  for the Right Port, which is being read from.  $\overline{OE} = V_{IH}$  for the Left Port, which is being written to.
5. If  $t_{CCS} \leq$  maximum specified, then data from right port READ is not valid until the maximum specified for  $t_{CWD}$ .  
If  $t_{CCS} >$  maximum specified, then data from right port READ is not valid until  $t_{CCS} + t_{CD1}$ .  $t_{CWD}$  does not apply in this case.

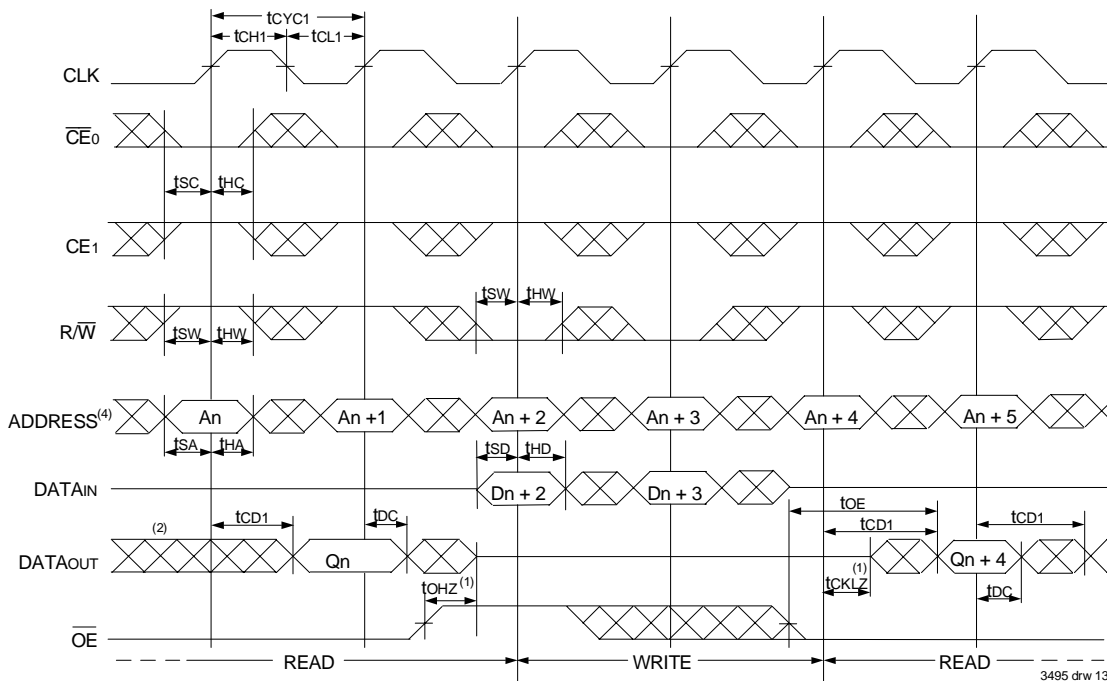


### Timing Waveform of Flow-Through Read-to-Write-to-Read ( $\overline{OE} = V_{IL}$ )<sup>(3)</sup>



3495 drw 12

### Timing Waveform of Flow-Through Read-to-Write-to-Read ( $\overline{OE}$ Controlled)<sup>(3)</sup>

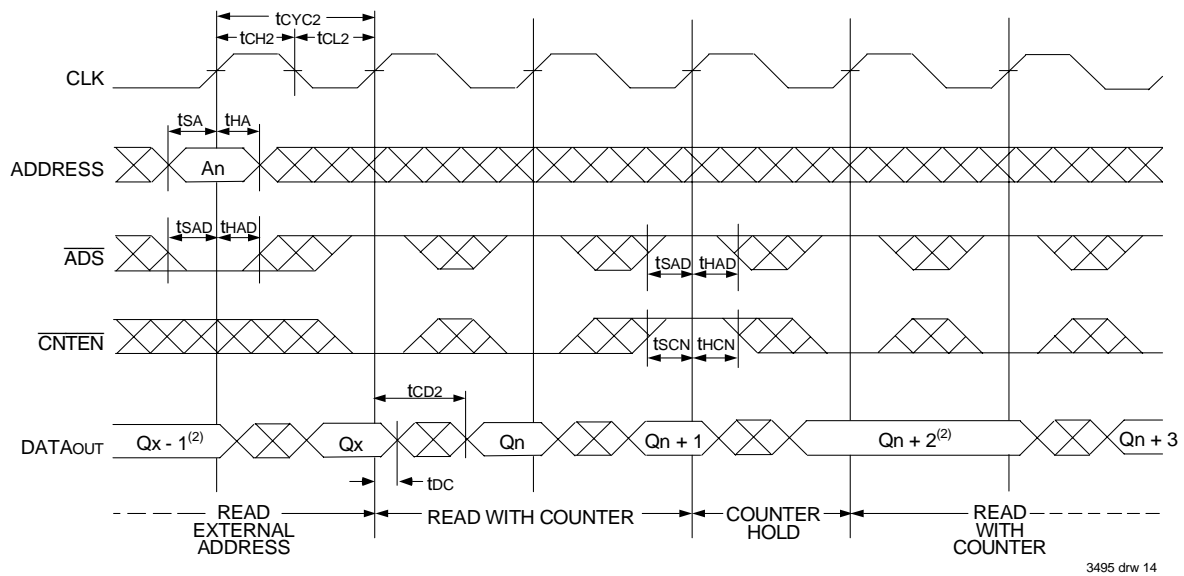


3495 drw 13

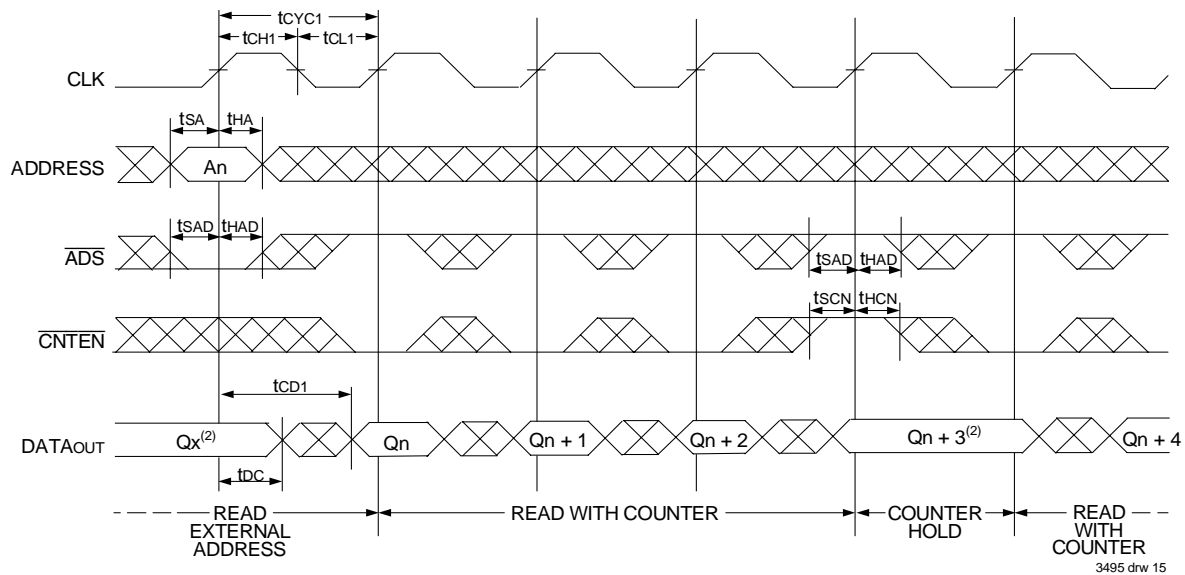
**NOTES:**

1. Transition is measured 0mV from Low or High-impedance voltage with the Output Test Load (Figure 2).
2. Output state (High, Low, or High-impedance) is determined by the previous cycle control signals.
3.  $\overline{CE}_0$  and  $\overline{ADS} = V_{IL}$ ;  $CE_1$ ,  $CNTEN$ , and  $CNTRST = V_{IH}$ .
4. Addresses do not have to be accessed sequentially since  $\overline{ADS} = V_{IL}$  constantly loads the address on the rising edge of the CLK; numbers are for reference use only.
5. "NOP" is "No Operation." Data in memory at the selected address may be corrupted and should be re-written to guarantee data integrity.

## Timing Waveform of Pipelined Read with Address Counter Advance<sup>(1)</sup>



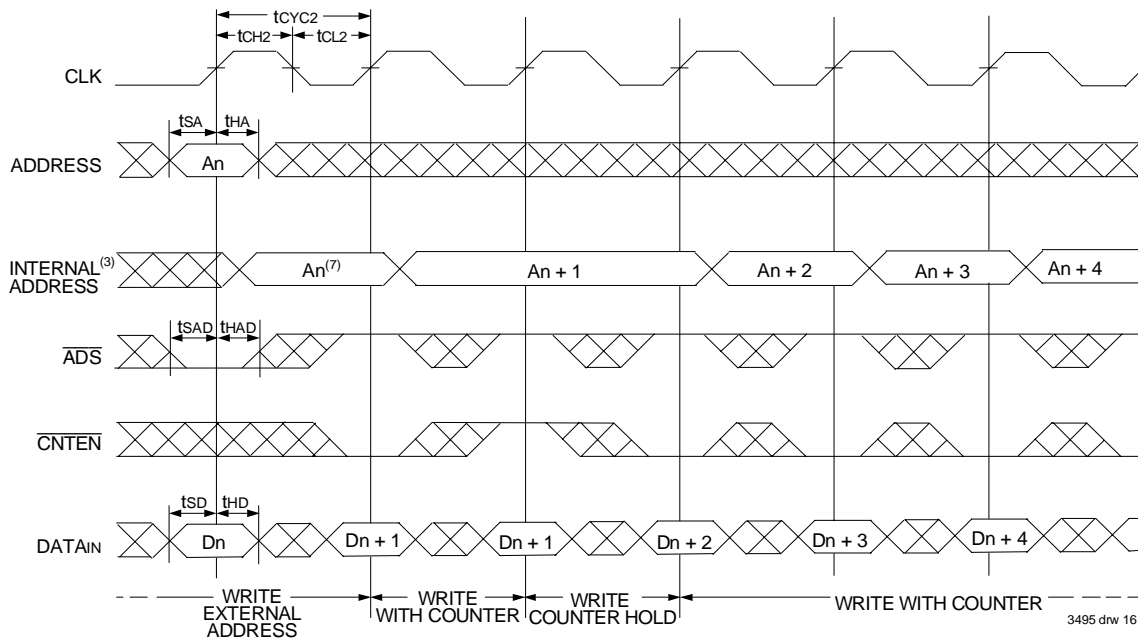
## Timing Waveform of Flow-Through Read with Address Counter Advance<sup>(1)</sup>



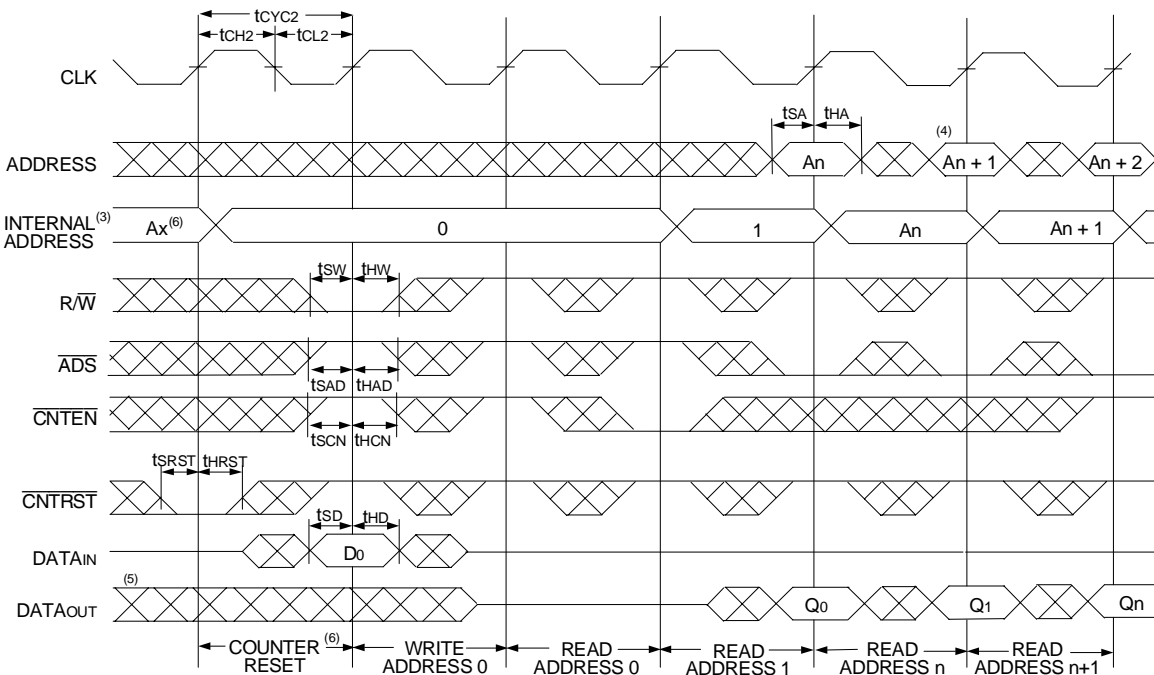
### NOTES:

- $\overline{CE}_0$  and  $\overline{OE} = V_{IL}$ ;  $CE_1$ ,  $\overline{RW}$ , and  $\overline{CNTRST} = V_{IH}$ .
- If there is no address change via  $\overline{ADS} = V_{IL}$  (loading a new address) or  $\overline{CNTEN} = V_{IL}$  (advancing the address), i.e.  $\overline{ADS} = V_{IH}$  and  $\overline{CNTEN} = V_{IH}$ , then the data output remains constant for subsequent clocks.

## Timing Waveform of Write with Address Counter Advance (Flow-Through or Pipelined Outputs)<sup>(1)</sup>



## Timing Waveform of Counter Reset (Pipelined Outputs)<sup>(2)</sup>



**NOTES:**

1.  $\overline{CE}_0$  and  $R/\overline{W} = V_{IL}$ ;  $CE_1$  and  $\overline{CNTRST} = V_{IH}$ .
2.  $\overline{CE}_0 = V_{IL}$ ;  $CE_1 = V_{IH}$ .
3. The "Internal Address" is equal to the "External Address" when  $\overline{ADS} = V_{IL}$  and equals the counter output when  $\overline{ADS} = V_{IH}$ .
4. Addresses do not have to be accessed sequentially since  $\overline{ADS} = V_{IL}$  constantly loads the address on the rising edge of the CLK; numbers are for reference use only.
5. Output state (High, Low, or High-impedance) is determined by the previous cycle control signals.
6. No dead cycle exists during counter reset. A READ or WRITE cycle may be coincidental with the counter reset. ADDR<sub>0</sub> will be accessed. Extra cycles are shown here simply for clarification.
7.  $\overline{CNTEN} = V_{IL}$  advances Internal Address from 'An' to 'An +1'. The transition shown indicates the time required for the counter to advance. The 'An +1' Address is written to during this cycle.

## Functional Description

The IDT709079 provides a true synchronous Dual-Port Static RAM interface. Registered inputs provide minimal set-up and hold times on address, data, and all critical control inputs. All internal registers are clocked on the rising edge of the clock signal, however, the self-timed internal write pulse is independent of the LOW to HIGH transition of the clock signal.

An asynchronous output enable is provided to ease asynchronous bus interfacing. Counter enable inputs are also provided to stall the operation of the counter registers for fast interleaved memory applications.

A HIGH on  $\overline{CE_0}$  or a LOW on  $CE_1$  for one clock cycle will power down the internal circuitry to reduce static power consumption. Multiple chip enables allow easier banking of multiple IDT709079's for depth expansion configurations. When the Pipelined output mode is enabled, two cycles are required with  $\overline{CE_0}$  LOW and  $CE_1$  HIGH to re-activate the outputs.

## Depth and Width Expansion

The IDT709079 features dual chip enables (refer to Truth Table I) in order to facilitate rapid and simple depth expansion with no requirements for external logic. Figure 4 illustrates how to control the various chip enables in order to expand two devices in depth.

The 709079 can also be used in applications requiring expanded width, as indicated in Figure 4. Since the banks are allocated at the discretion of the user, the external controller can be set up to drive the input signals for the various devices as required to allow for 16-bit or wider applications.

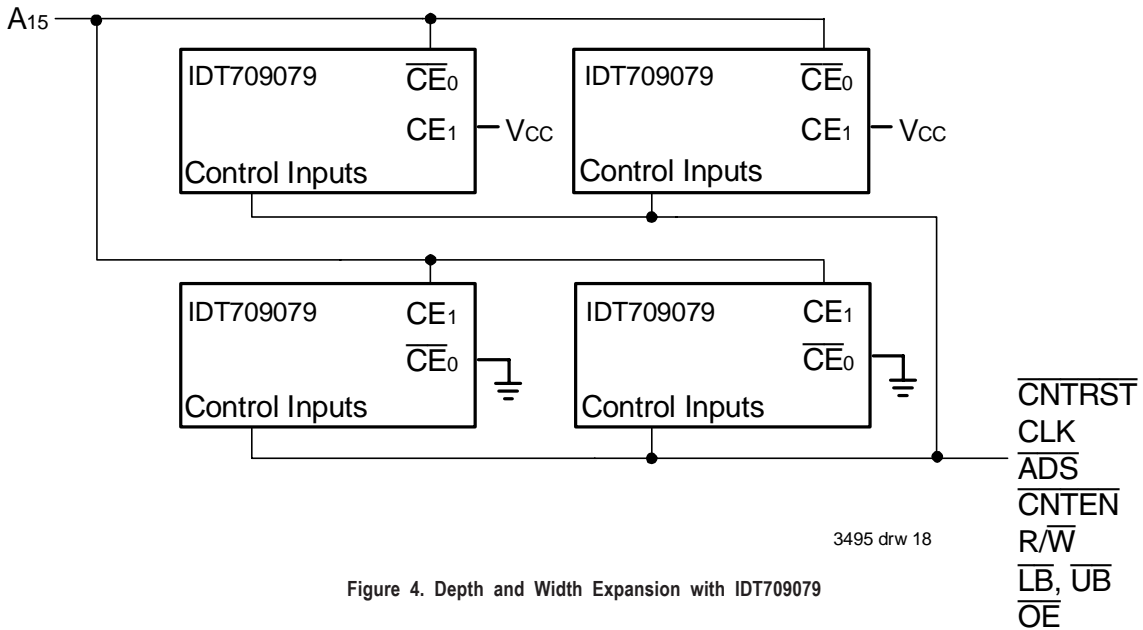
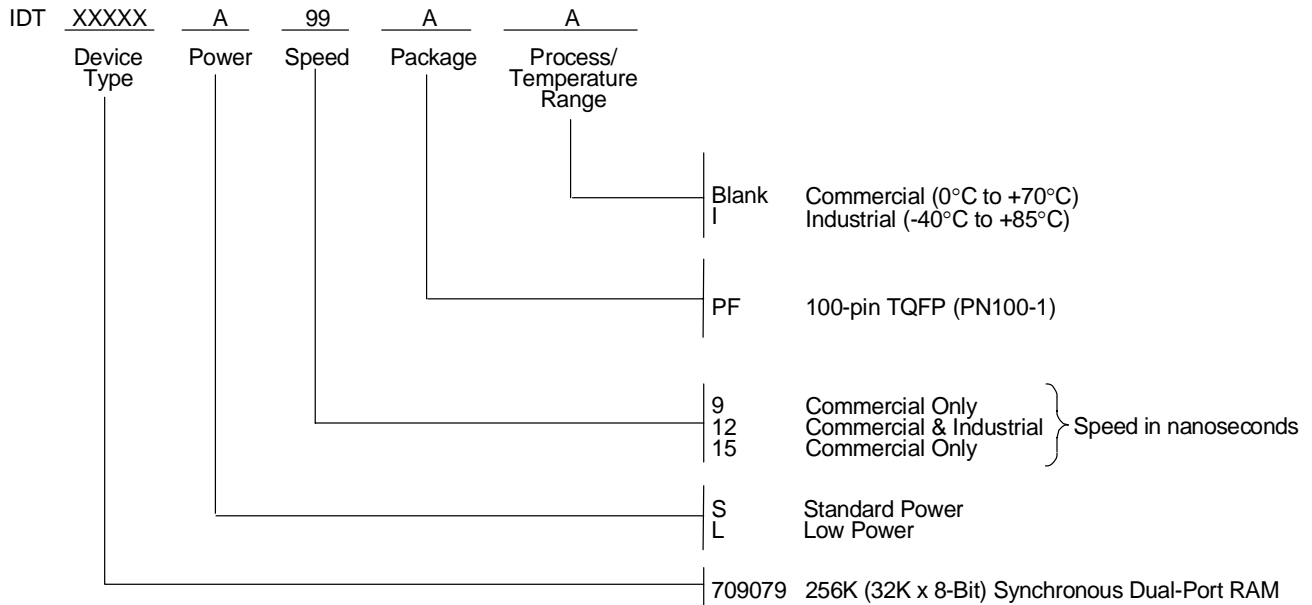


Figure 4. Depth and Width Expansion with IDT709079

## Ordering Information



### NOTES:

- Contact your local sales office for industrial temp range for other speeds, packages and powers.

## Preliminary Datasheet: Definition

"PRELIMINARY" datasheets contain descriptions for products that are in early release.

## Datasheet Document History

- 1/12/99: Initiated datasheet document history  
Converted to new format  
Cosmetic and typographical corrections  
Added additional notes to pin configurations  
Page 14 Added Depth & Width section
  - 6/7/99: Changed drawing format  
Page 3 Deleted note 6 for Table II
  - 12/08/02: Combined Pipelined 70V9079 family and Flow-through 70V907 family offerings into one data sheet  
Page 2 Added date revision to pin configurations  
Page 3 Changed information in Truth Table II  
Page 4 Increased storage temperature parameter, clarified TA parameter  
Page 5 Changed DC Electrical parameters—changed wording from "Open" to "Disabled"
- Continued on page 17**



## Datasheet Document History (cont'd)

12/08/02: Page 4, 5 & 7 Removed industrial temp footnote from all tables  
Page 5 & 7 Added 12ns industrial temp to DC & AC Electrical Characteristics  
Page 7, 8, 11 & 12 Changed  $\pm 200\text{mV}$  in waveform notes to  $0\text{mV}$   
Page 16 Added 12ns industrial temp and industrial temp offering footnote to ordering information  
Page 1 & 17 Replaced  $\text{TM}$  logo with  $\text{®}$  logo



**CORPORATE HEADQUARTERS**  
2975 Stender Way  
Santa Clara, CA 95054

**for SALES:**  
800-345-7015 or 408-727-6116  
fax: 408-492-8674  
[www.idt.com](http://www.idt.com)

**for Tech Support:**  
831-754-4613  
[DualPortHelp@idt.com](mailto:DualPortHelp@idt.com)

The IDT logo is a registered trademark of Integrated Device Technology, Inc.