



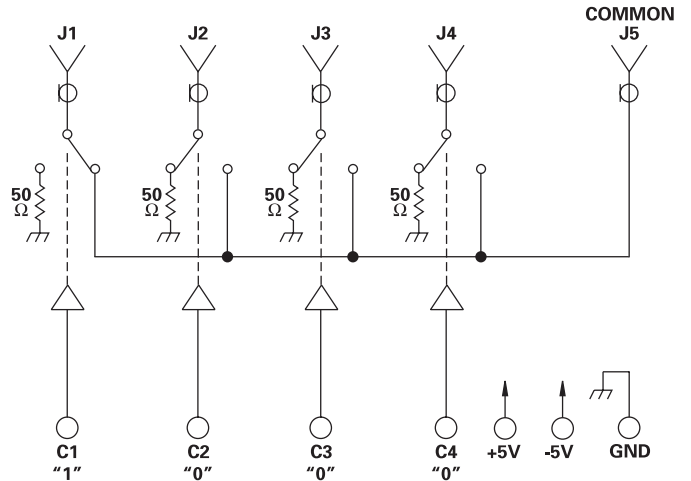
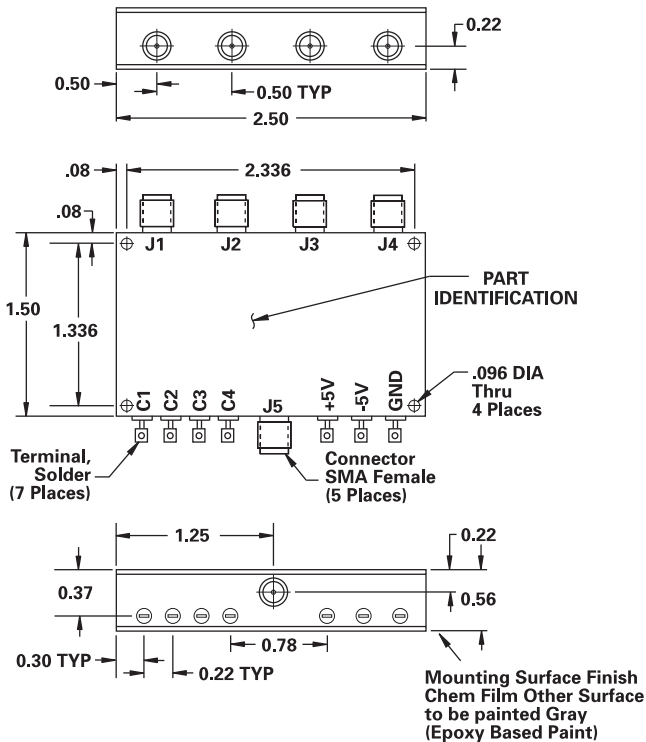
MODEL NUMBER DSW49068

Switch SP4T

FEATURES

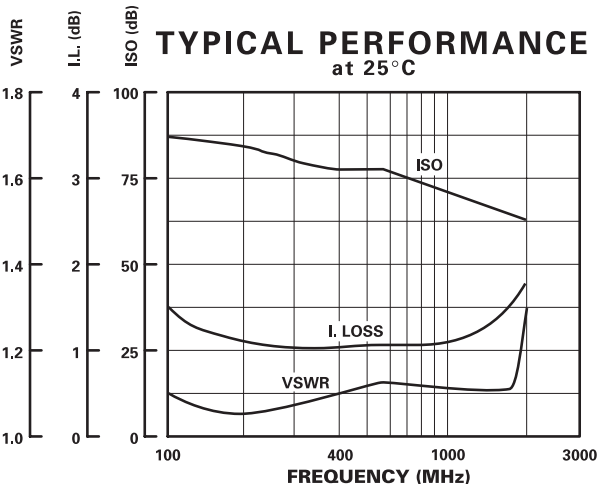
- 830-930 MHz
- High Isolation
- High Intercept Points
- Small Size
- SMA Connectorized

SP4T



GUARANTEED PERFORMANCE

Parameter	Min	Typ	Max	Units	Conditions
Operating Frequency	830		930	MHz	
DC Current		15	30	mA	At +5 VDC Supply
		15	30	mA	At -5 VDC Supply
Control Type		TTL			4 Line "1" = Thru
Isolation	70	71		dB	
Insertion Loss		1.23	2.0	dB	
VSWR		1.16/1	1.6/1		
		1.23/1	1.6/1		
Impedance		50		OHMS	
Switching Speed		0.2	1	μSEC	50% TTL to 90% / 10% RF
Transition (Rise/Fall) Time		65		nSEC	10% / 90% to 90% / 10% RF
Switching (Video) Transients		200		mV	Peak Value
Intercept Points		2nd	+74	dBm	800 MHz / 970 MHz
		3rd	+45	dBm	900 MHz / 970 MHz
RF Power		Operate	+25	dBm	0.1 dB Compression
		No Damage	+30	dBm	
Operating Temperature	-55	+25	+85	°C	TA



DAICO Industries

310.507.3242 • FAX 310.507.5701 • www.daico.com