

# DN68

## ZXSC310 High power torch reference design

### Description

This design note shows a typical ZXSC310 LED driver circuit for a high powered LED torch. The input voltage ranges from 0.7V to 1.6V with a maximum output current of 335mA at 1.4V input.

A typical schematic diagram is shown in Figure 1.

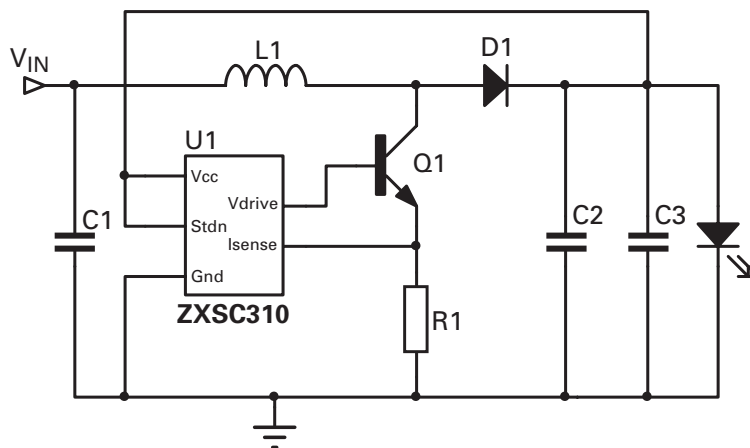
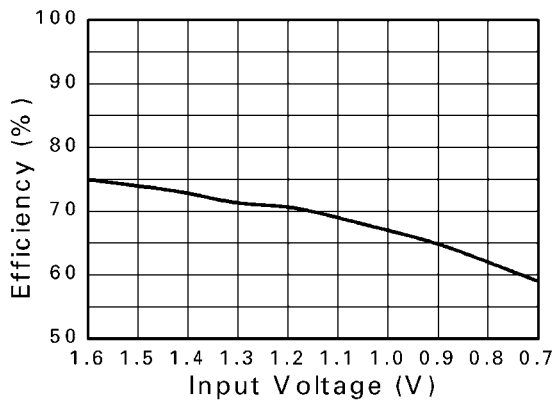


Figure 1 Schematic diagram

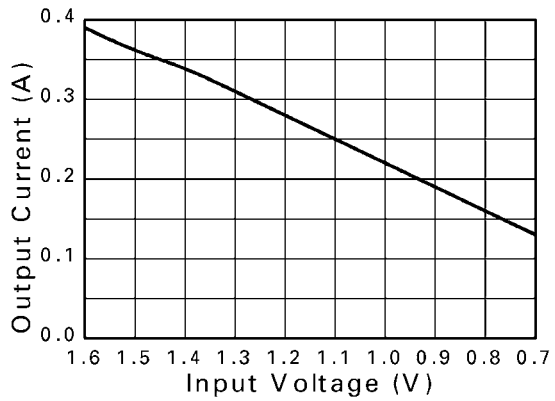
Reference	Value	Part number	Manufacturer	Contact details	Comments
U1		ZXSC310E5	Zetex	www.zetex.com	LED driver in SOT23-5
Q1		FMMT617	Zetex	www.zetex.com	Low sat. NPN in SOT23
D1	2A	ZHCS2000	Zetex	www.zetex.com	2A Schottky in SOT23
L1	7.5 $\mu$ H	DO3316P-153x2	Coilcraft	www.coilcraft.com	$I_{SAT} = 3A$
R1	19.5m $\Omega$	Generic	Generic	NA	0805 size
C1	1 $\mu$ F	Generic	Generic	NA	
C2	220 $\mu$ F	Generic	Generic	NA	
C3	100 $\mu$ F	Generic	Generic	NA	

Table 1 Bill of materials

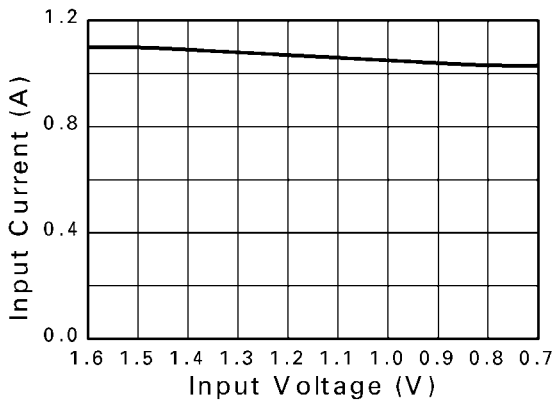
# DN68



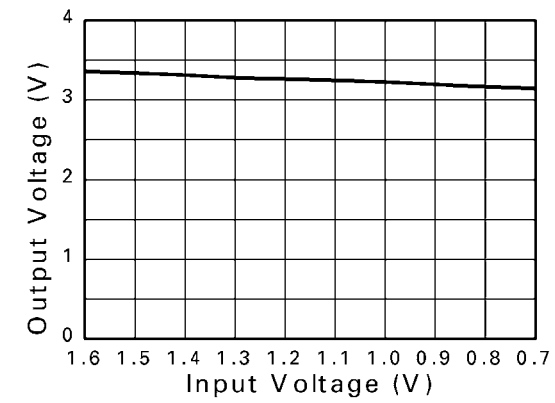
**Input Voltage vs Efficiency**



**Input Voltage vs Output Current**



**Input Voltage vs Input Current**



**Input Voltage vs Output Voltage**

**Figure 2 Performance graphs**

## Europe

Zetex GmbH  
Streitfeldstraße 19  
D-81673 München  
Germany

Telefon: (49) 89 45 49 49 0  
Fax: (49) 89 45 49 49 49  
europe.sales@zetex.com

## Americas

Zetex Inc  
700 Veterans Memorial Highway  
Hauppauge, NY 11788  
USA

Telephone: (1) 631 360 2222  
Fax: (1) 631 360 8222  
usa.sales@zetex.com

## Asia Pacific

Zetex (Asia Ltd)  
3701-04 Metroplaza Tower 1  
Hing Fong Road, Kwai Fong  
Hong Kong

Telephone: (852) 26100 611  
Fax: (852) 24250 494  
asia.sales@zetex.com

## Corporate Headquarters

Zetex Semiconductors plc  
Zetex Technology Park, Chadderton  
Oldham, OL9 9LL  
United Kingdom

Telephone: (44) 161 622 4444  
Fax: (44) 161 622 4446  
hq@zetex.com

For international sales offices visit [www.zetex.com/offices](http://www.zetex.com/offices)

Zetex products are distributed worldwide. For details, see [www.zetex.com/salesnetwork](http://www.zetex.com/salesnetwork)

This publication is issued to provide outline information only which (unless agreed by the company in writing) may not be used, applied or reproduced for any purpose or form part of any order or contact or be regarded as a representation relating to the products or services concerned. The company reserves the right to alter without notice the specification, design, price or conditions of supply of any product or service.