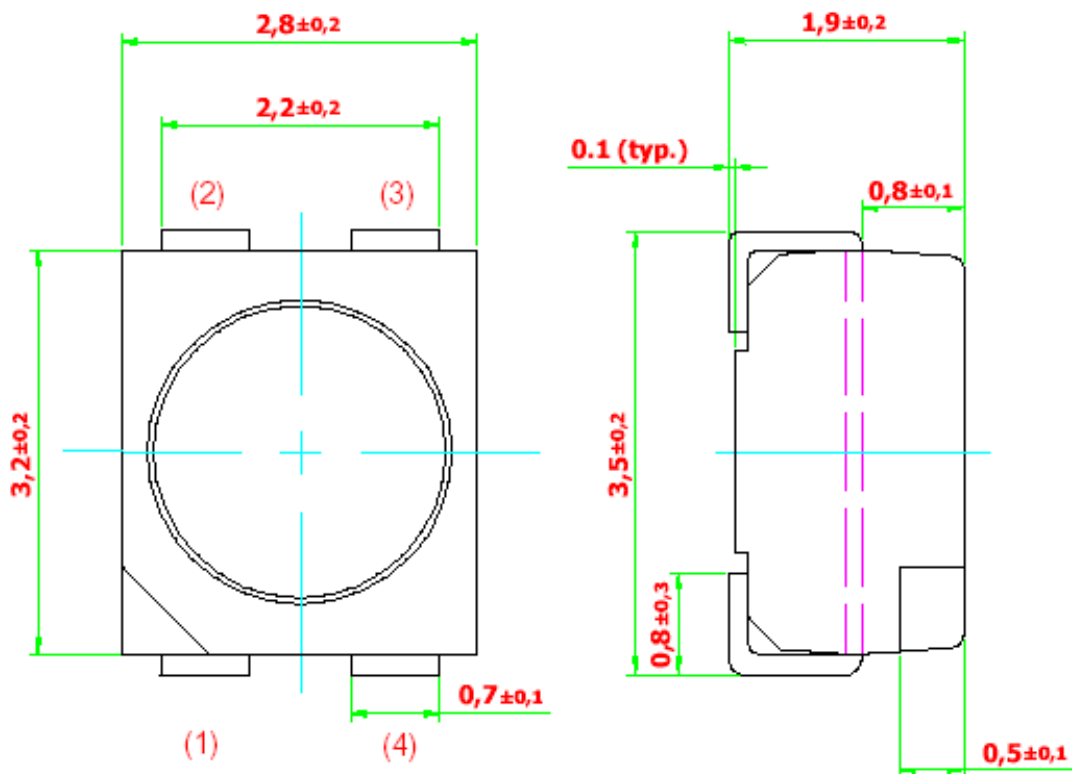


**Multi DomiLED White – DM3W-DJD**



- (1) Common anode**
- (2) Cathode**
- (3) Cathode**
- (4) Cathode**

- High brightness surface mount LED.
- Based on InGaN technology.
- 120° viewing angle.
- Small package outline (LxWxH) of 2.8 x 3.2 x 1.9 mm.
- Qualified according to JEDEC moisture sensitivity Level 2.
- Compatible to both IR reflow soldering and TTW soldering.

Part Ordering Number	Color	Luminous Intensity @ If = 60mA; Iv (mcd) / 20mA per chip
----------------------	-------	----------------------------------------------------------

<b>DM3W-DJD-X2Y1-1</b> <ul style="list-style-type: none"> <li>• DM3W-DJD-X2</li> <li>• DM3W-DJD-Y1</li> </ul>	White	<b>2240.0 ... 3550.0</b>  2240.0 ... 2850.0 2850.0 ... 3550.0
---------------------------------------------------------------------------------------------------------------	-------	------------------------------------------------------------------------

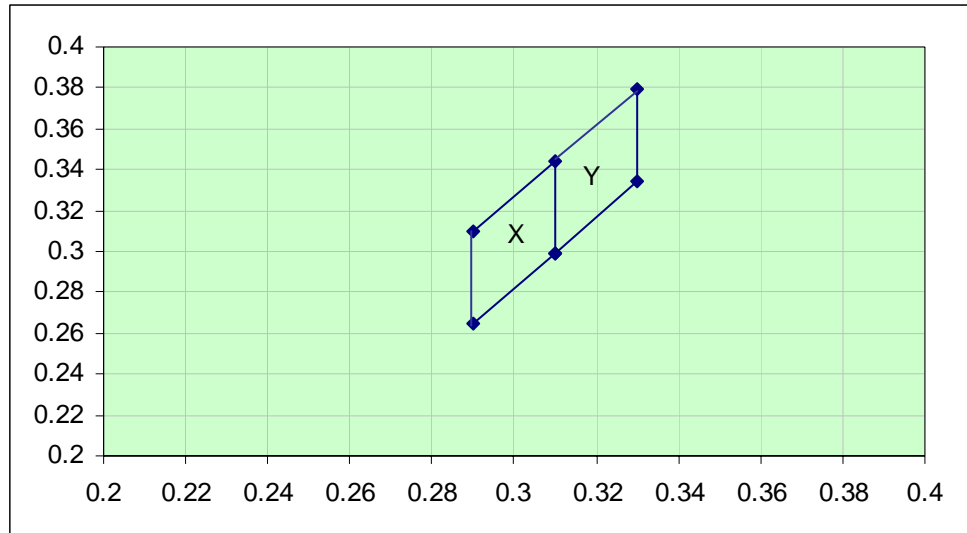
1. DM3W comes in a quantity of 2000 units per reel.
2. Luminous intensity is measured with an accuracy of  $\pm 11\%$ .

### Material

	Material
Lead-frame	Copper alloy.
Housing	High temperature resistant plastic, PPA.
Epoxy	Diffused epoxy resin.
Lead-finishing	Pure tin plating, Sn.

**Color Grouping.**

If color binning is required, only one color group is allowed for each chip within a reel.



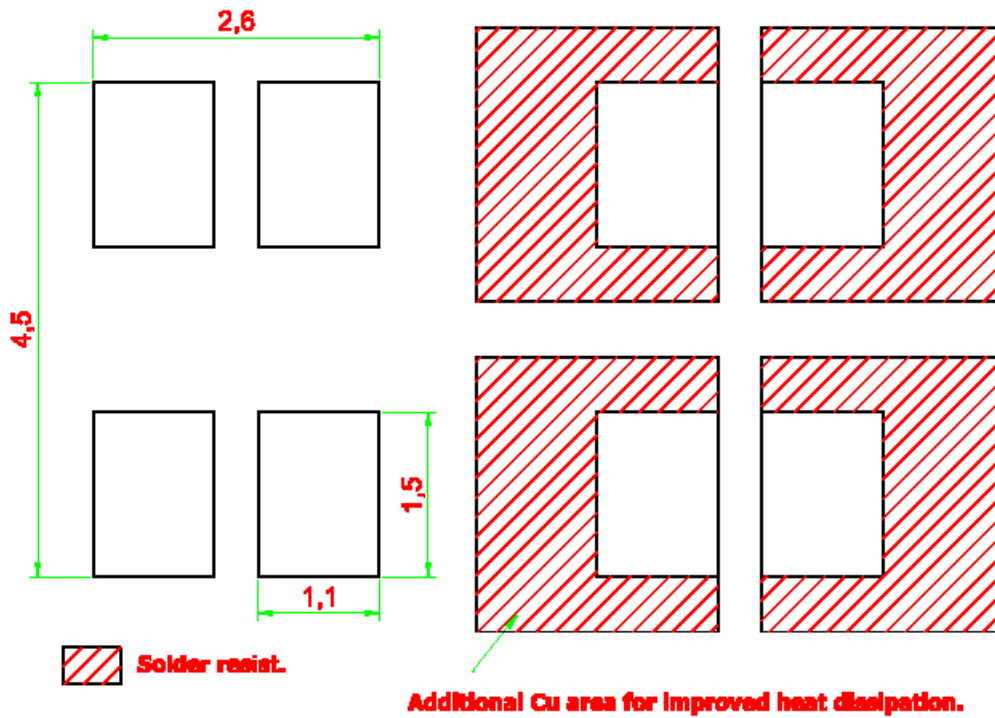
Chromaticity coordinate groups are measured with an accuracy of  $\pm 0.01$ .

X	0.290	0.310	0.310	0.290
	0.265	0.299	0.344	0.310
Y	0.310	0.330	0.330	0.310
	0.299	0.334	0.379	0.344

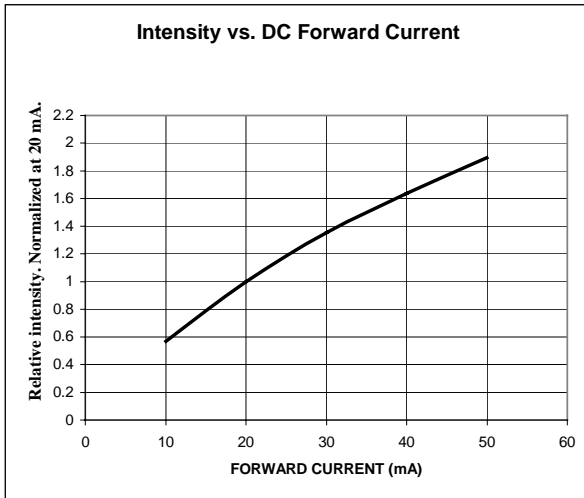
**Absolute Maximum Ratings.**

	Maximum Value	Unit
DC forward current per chip	20	mA
Peak pulse current; ( $t_p \leq 10 \mu s$ , Duty cycle = 0.005)	100	mA
Reverse voltage.	5	V
ESD Threshold	2	kV
LED junction temperature.	125	$^{\circ}C$
Operating temperature.	-40 ... +100	$^{\circ}C$
Storage temperature.	-40 ... +100	$^{\circ}C$
Power dissipation ( at room temperature )	80	mW

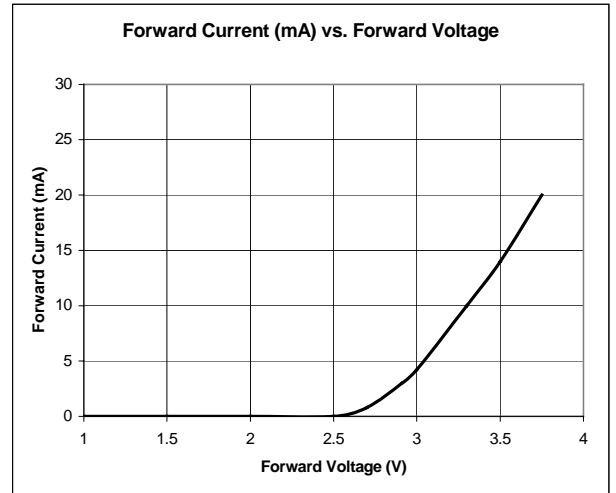
**Recommended Solder Pad**



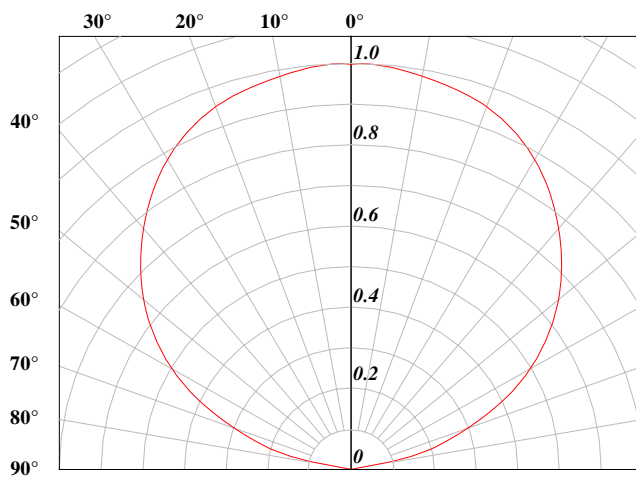
**Relative luminous intensity vs. forward current.**



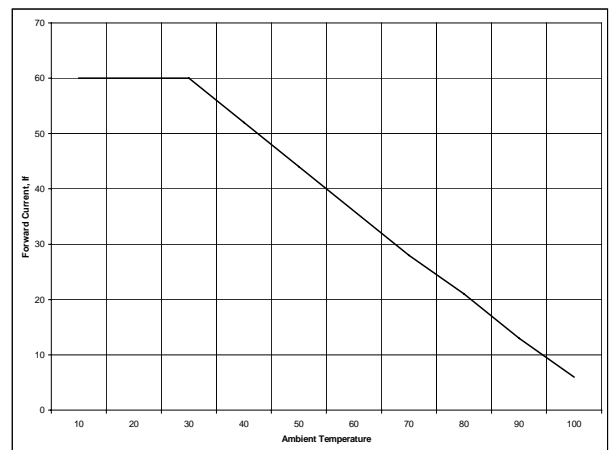
**Forward current vs. forward voltage.**



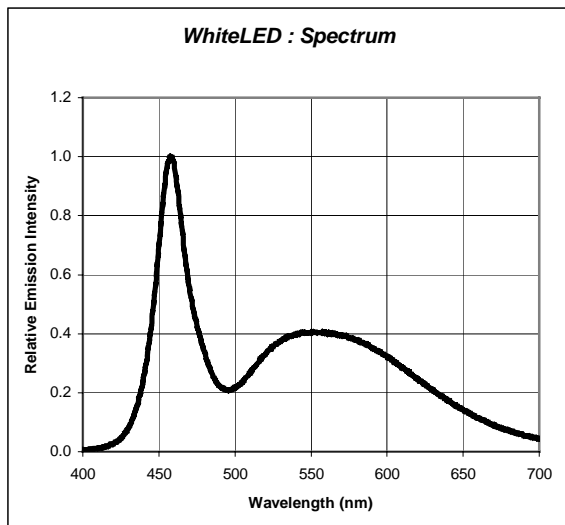
**Radiation pattern.**



**Maximum forward current vs. temperature.**

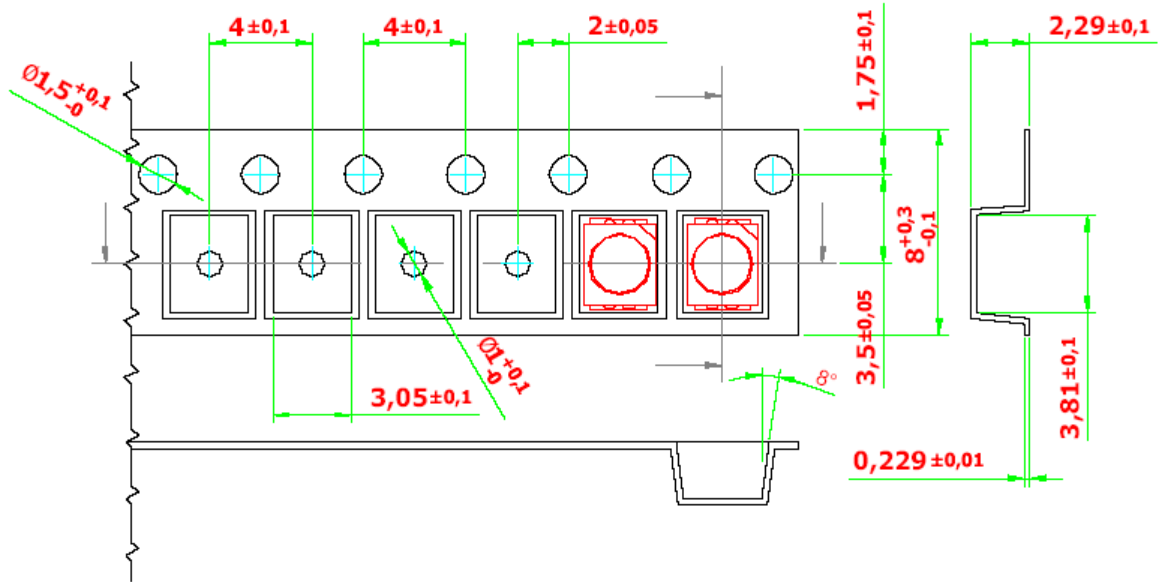


**Color Spectrum**



**Taping And Orientation.**

Reels come in quantity of 2000 units.  
Reel diameter is 180 mm.

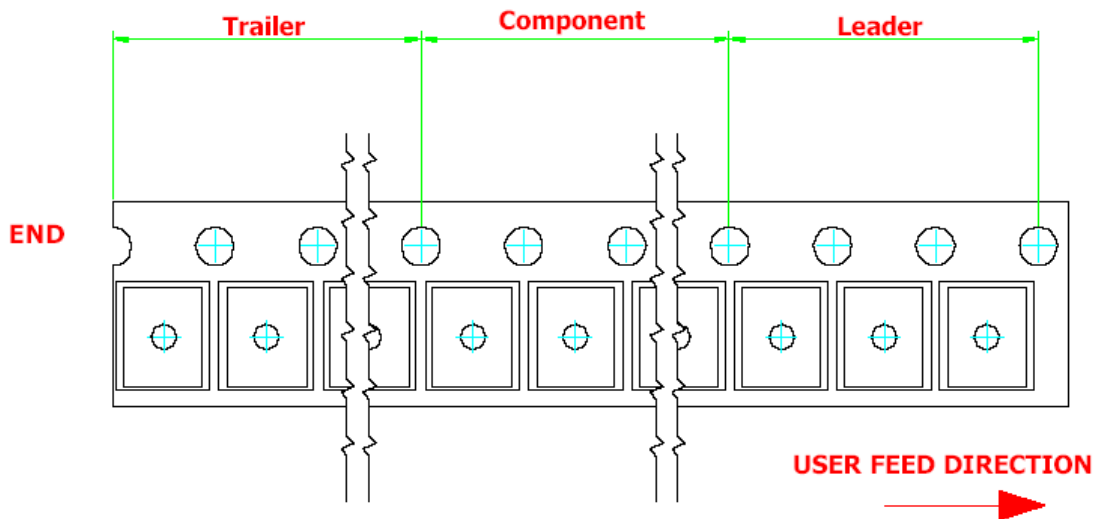


200 mm min. for Ø180 reel.

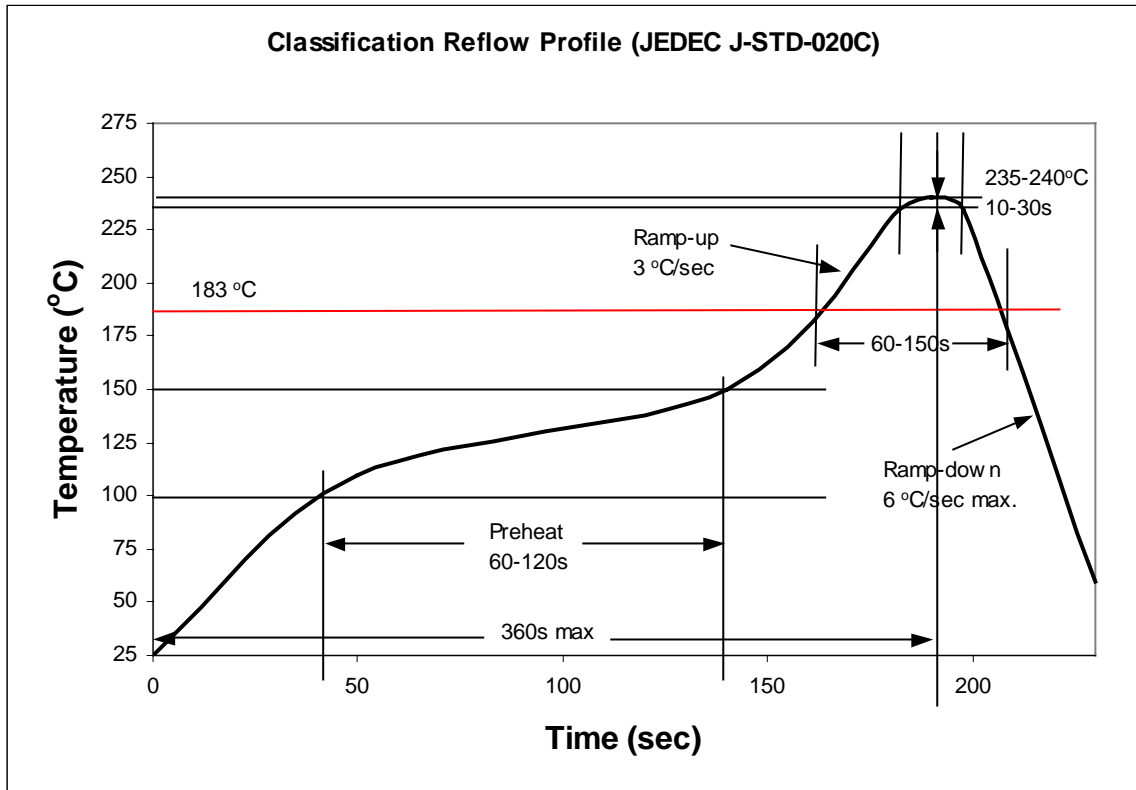
480 mm min. for Ø180 reel.

200 mm min. for Ø330 reel.

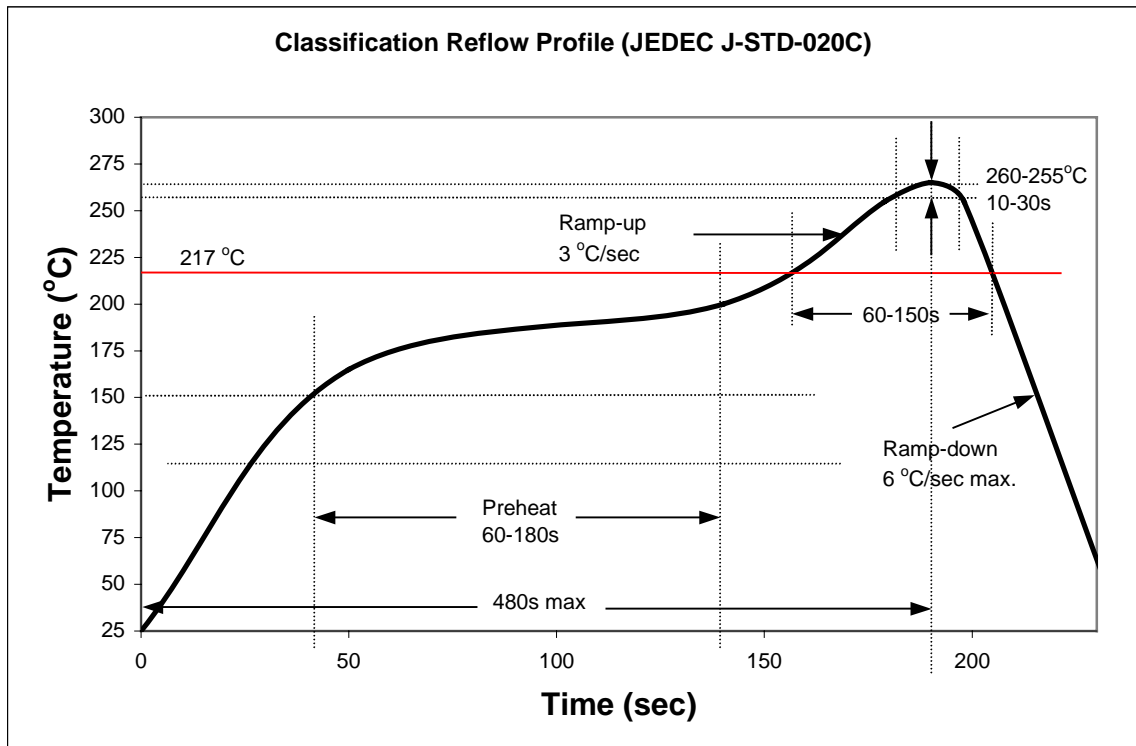
960 mm min. for Ø330 reel.



**Recommended Sn-Pb IR-Reflow Soldering Profile.**



**Recommended Pb Free IR-Reflow Soldering Profile.**



---

**NOTE.**

---

All the information published is considered to be reliable. However, DOMINANT Semiconductors does not assume any liability arising out of the application or use of any product described herein.

DOMINANT Semiconductors reserves the right to make changes at any time without notice to any products in order to improve reliability, function or design.

DOMINANT Semiconductors products are not authorized for use as critical components in life support devices or systems without the express written approval from the managing director of DOMINANT Semiconductors.