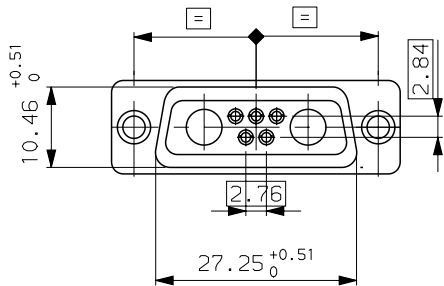
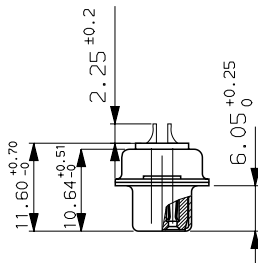
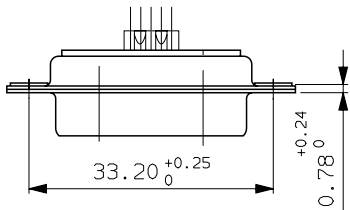
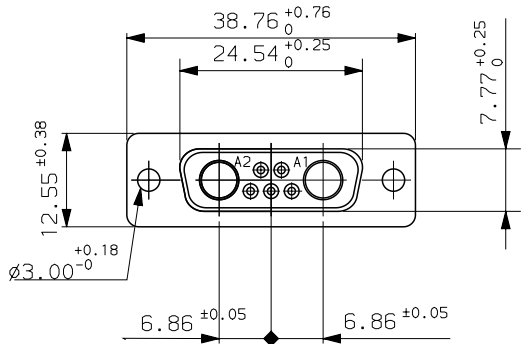


GENERAL CHARACTERISTICS : SEE DRAWING C01-8639-0000



Core range
DA7W2SA00
PART NUMBER

d	28/10/03	update	
ISS	DATE	Lastest modification by : BART.S	MOD N°
Designed by: JARRY date 26/01/95		Type of drawing: CLIENT	
Checked by : FONTENEAU date: __		Released by: __	
TITLE : SOCKET CONNECTOR MARK 1 FOR POWERS CONTACTS .			
SCALE	Special mfg:--	MATERIAL:--	N°: --
1.5	item list n°: --	--	
	General Linear Tolerances: --	General machining surface texture: -- <input checked="" type="checkbox"/>	Geometrical Tolerances see NF E 04-552
			SHEET 1/1
	FRAMATOME CONNECTORS FRANCE Rue Louis Breguet - BP 05 72024 LE MANS Cedex Tel. 33 (16) 43.84.08.43		This document is the property of FRAMATOME CONNECTORS FRANCE It must not be reproduced or communicated without permission in writing flow the owners
	FORMAT A3	SOURIAU DRG N° C01-8639-0572-1	PROJECT M94D001