

NPN SILICON RF POWER TRANSISTOR

DESCRIPTION:

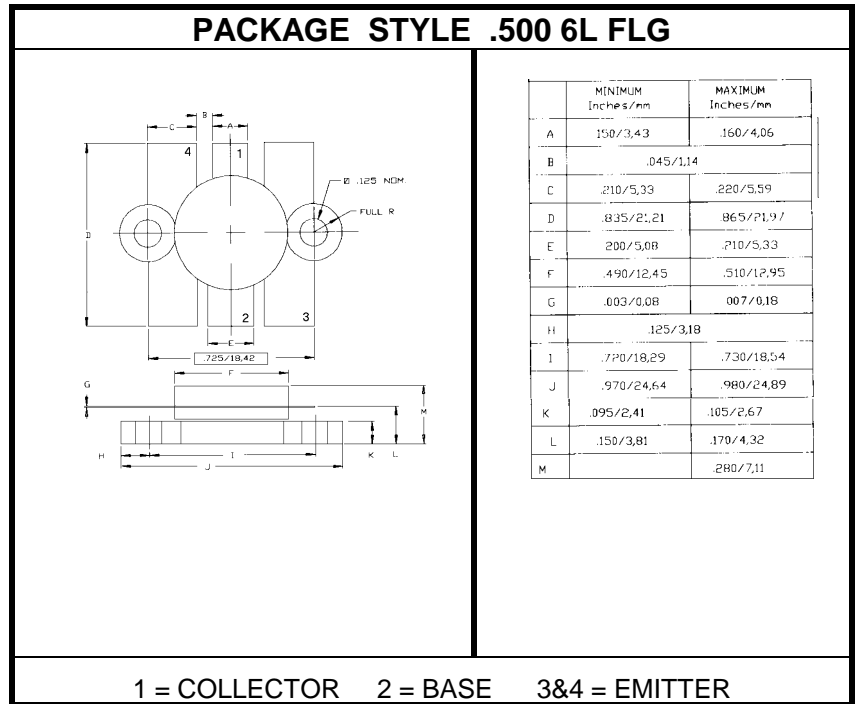
The **ASI BM100-28** is Designed for high power VHF Applications up to 200 MHz.

FEATURES:

- Common Emitter
- $P_G = 8.5$ dB at 20 W/175 MHz
- **Omnigold™** Metalization System

MAXIMUM RATINGS

I_C	20 A
V_{CEO}	33 V
V_{CES}	65 V
V_{EBO}	4.0 V
P_{DISS}	270 W @ $T_C = 25^\circ\text{C}$
T_J	-65°C to $+200^\circ\text{C}$
T_{STG}	-65°C to $+150^\circ\text{C}$
θ_{JC}	0.65°C/W


CHARACTERISTICS $T_C = 25^\circ\text{C}$

SYMBOL	TEST CONDITIONS		MINIMUM	TYPICAL	MAXIMUM	UNITS
BV_{CEO}	$I_C = 50$ mA		33			V
BV_{CES}	$I_C = 100$ mA		65			V
BV_{EBO}	$I_E = 5.0$ mA		4.0			V
h_{FE}	$V_{CE} = 5.0$ V	$I_C = 1.0$ A	10			---
C_{CB}	$V_{VB} = 28$ V	$f = 1.0$ MHz		200		pF
P_G η_C	$V_{CC} = 28$ V	$P_{OUT} = 100$ W	8.5	60		dB %