

Part Number: BLF051MGC-6V-P MEGA GREEN

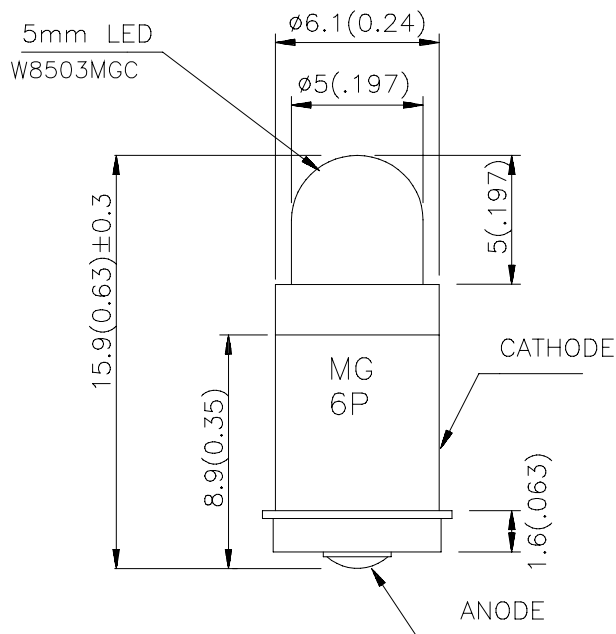
Features

- BUILT-IN CURRENT LIMITING RESISTOR FOR DIRECT APPLICATION OF DIFFERENT ACROSS CURRENT.
- LONG LIFE.
- LOW CURRENT, POWER SAVINGS.
- LOW MAINTENANCE.
- DIFFERENT COLOR AVAILABLE.
- SOLID STATE, HIGH VIBRATION RESISTANT.
- 6V INTERNAL RESISTOR.
- RoHS COMPLIANT.

Description

The Mega Green source color devices are made with DH InGaAlP on GaAs substrate Light Emitting Diode.

Package Dimensions



Notes:

1. All dimensions are in millimeters (inches).
2. Tolerance is $\pm 0.25 (0.01)$ unless otherwise noted.
3. Specifications are subject to change without notice.

Selection Guide

Part No.	Dice	Lens Type	Iv (mcd) V=6V		Viewing Angle
			Min.	Typ.	2θ1/2
BLF051MGC-6V-P	MEGA GREEN (InGaAlP)	WATER CLEAR	280	400	30°

Note:

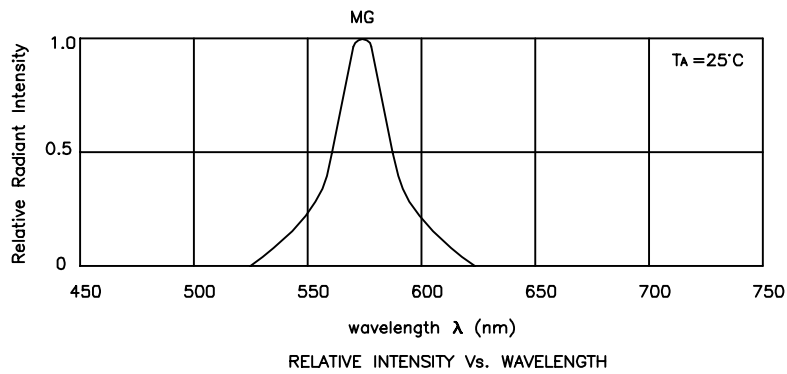
1. θ1/2 is the angle from optical centerline where the luminous intensity is 1/2 the optical centerline value.

Electrical / Optical Characteristics at TA=25°C

Symbol	Parameter	Device	Typ.	Max.	Units	Test Conditions
λ _{peak}	Peak Wavelength	Mega Green	574		nm	V _F =6V
λ _D	Dominant Wavelength	Mega Green	568		nm	V _F =6V
Δλ _{1/2}	Spectral Line Half-width	Mega Green	26		nm	V _F =6V
I _F	Forward Current	Mega Green	23		mA	V _F =6V
I _R	Reverse Current	Mega Green		10	uA	V _R = 5V

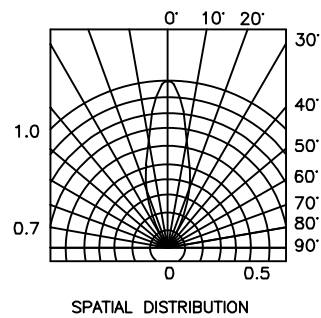
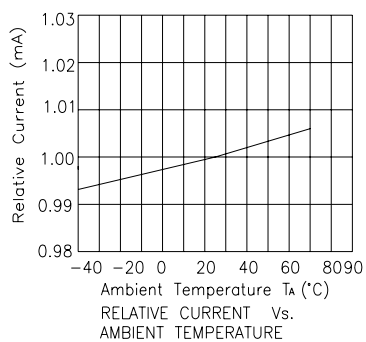
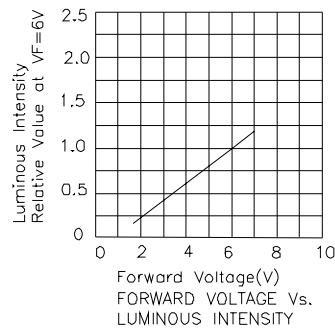
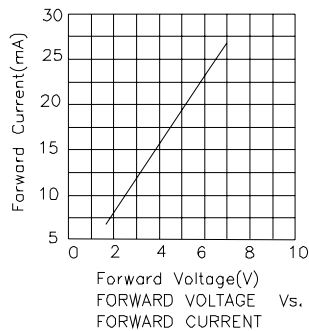
Absolute Maximum Ratings at TA=25°C

Parameter	Mega Green	Units
Power dissipation	150	mW
Forward Voltage	7	V
Reverse Voltage	5	V
Operating Temperature	-40°C To +70°C	
Storage Temperature	-40°C To +85°C	



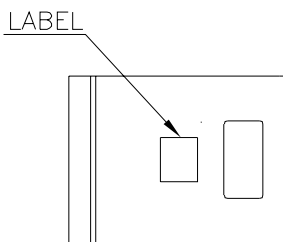
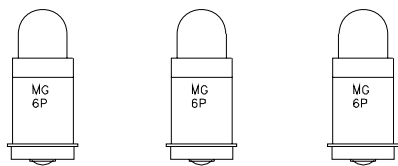
Mega Green

BLF051MGC-6V-P



PACKING & LABEL SPECIFICATIONS

BLF051MGC-6V-P

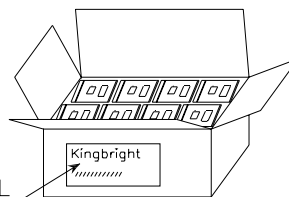


200PCS / BAG




10K / 9# BOX

OUTSIDE LABEL



OUTSIDE LABEL

5 K / 5# BOX

Kingbright	
Q.C.	QC xxx-xx-xxxx PASSED
TYPE NO : BLF051MGC-6V-P	
QUANTITY : 200 pcs	
S/N : xxx	CODE: xxx
LOT NO 	
MADE IN CHINA	RoHS Compliant