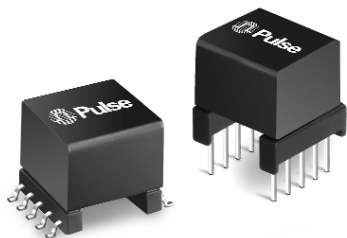





# ADSL LINE TRANSFORMERS

## For Analog Devices AD20msp930 Chipset



-  Compatible with ADSL and ADSL over ISDN Central Office Applications
-  Excellent THD performance in a small footprint
-  Designed to meet UL1950 and EN60950 supplementary insulation requirements for working voltages up to 250 Vrms

### Electrical Specifications @ 25°C — Operating Temperature -40°C to 85°C

Part Number	Mounting	Application	Turns Ratio (1-4):(10-7) (± 2%)	OCL @ 10 KHz, 0.1 V (1-4) with 2-3 shorted	Leakage Inductance @ 100 KHz, 0.1 V (MAX) (1-4) with 2-3, 8-9, 10-7 shorted	Longitudinal Balance (10 KHz - 1.1 MHz)
B2136	THT	ADSL	1:1.1	1.75 mH	7.5 µH	50 dB MIN
B2137 <sup>2</sup>	SMT	ADSL	1:1.1	1.75 mH	7.5 µH	50 dB MIN
B2168 <sup>2</sup>	SMT	ADSL/ISDN	1:1	100 µH	4.0 µH	46 dB MIN
B2188	THT	ADSL/ISDN	1:1	100 µH	4.0 µH	46 dB MIN

### Additional Specifications

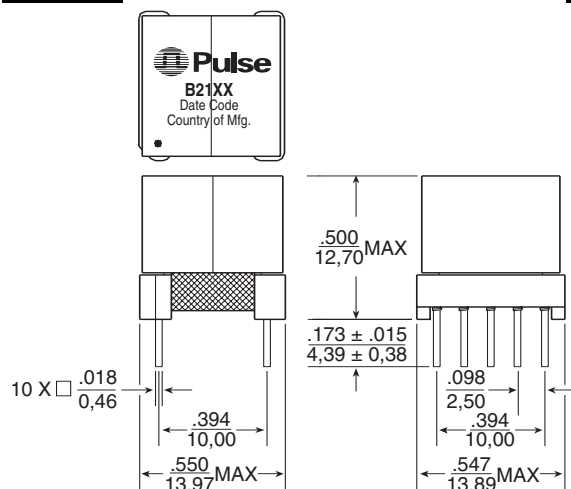
Part Number	THD Typical (Linearity)	DC Resistance (Ω - MAX)		Isolation Voltage (Vrms)	Insertion Loss <sup>1</sup> (dB @ 300 KHz)
B2136	-80 dB @ 30 KHz	1.5 (1-4) with (2-3) short	1.3 (10-7) with (8-9) short	1500	<0.5
B2137 <sup>2</sup>	-80 dB @ 30 KHz	1.5 (1-4) with (2-3) short	1.3 (10-7) with (8-9) short	1500	<0.5
B2168 <sup>2</sup>	-80 dB @ 30 KHz	1.0 (1-4) = (2-3)	1.0 (10-8) = (9-7)	1500	<0.5
B2188	-80 dB @ 100 KHz	1.0 (1-4) = (2-3)	1.0 (10-8) = (9-7)	1500	<0.5

<sup>1</sup> Frequency Response: ± 1.0 dB MAX, from 30 KHz to 1.1 MHz.

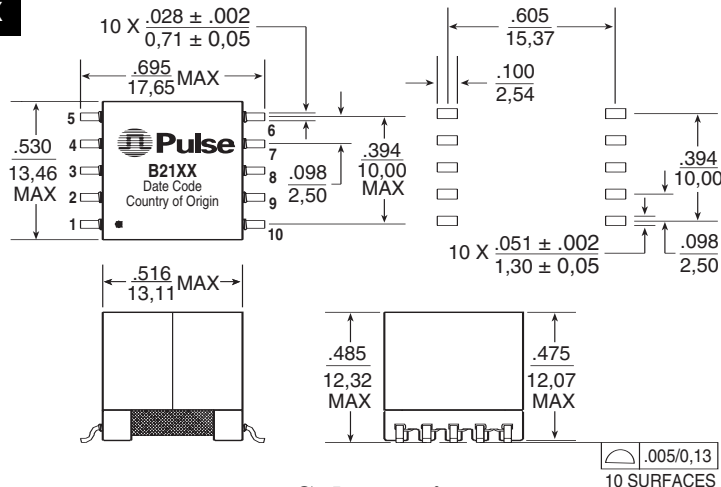
<sup>2</sup> Transformers are shipped in trays, unless Tape & Reel packaging is specified by adding the suffix "T" to this part number (B2137T)

### Mechanicals

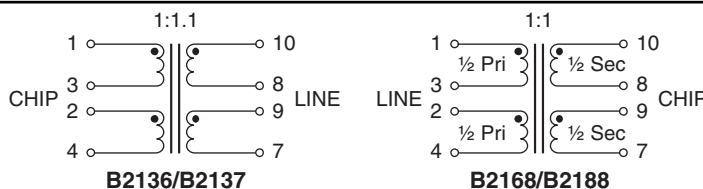
#### B21XX



#### B21XX



### Schematics



Weight ..... 6.2 grams  
 Tape & Reel ..... 150/reel  
 Tray ..... 60/tray (SMT) ..... 65/tray (THT)

Dimensions:  $\frac{\text{Inches}}{\text{mm}}$  Unless otherwise specified, all tolerances are ±  $\frac{.010}{0.25}$

### For More Information :

<b>UNITED STATES</b> (Worldwide) 12220 World Trade Drive San Diego, CA 92128 U.S.A. http://www.pulseeng.com TEL: 858 674 8100 FAX: 858 674 8262	<b>UNITED KINGDOM</b> (Northern Europe) 1 & 2 Huxley Road The Surrey Research Park Guildford, Surrey GU2 5RE United Kingdom TEL: 44 1483 401700 FAX: 44 1483 401701	<b>FRANCE</b> (Southern Europe) Zone Industrielle F-39270 Orgelet France TEL: 33 3 84 35 04 04 FAX: 33 3 84 25 46 41	<b>SINGAPORE</b> (Southern Asia) 150 Kampong Ampat #07-01/02 KA Centre Singapore 368324 TEL: 65 6287 8998 FAX: 65 6280 0080	<b>TAIWAN, R.O.C.</b> (Northern Asia) 3F-4, No. 81, Sec. 1 HsinTai Wu Road Hsi-Chih, Taipei Hsien Taiwan, R.O.C. Tel: 886 2 2698 0228 FAX: 886 2 2698 0948	<b>HONG KONG</b> (China/Hong Kong) 9/F, Phase 2, Tai Sang Shatin Warehouse Centre 6 Wong Chuk Yeung Street Fotan, Shatin, Hong Kong TEL: 852 2788 6588 FAX: 852 2776 1055	<b>DISTRIBUTOR</b>
--	--	---	--	---	--	--------------------

Performance warranty of products offered on this data sheet is limited to the parameters specified. Data is subject to change without notice. Other brand and product names mentioned herein may be trademarks or registered trademarks of their respective owners.