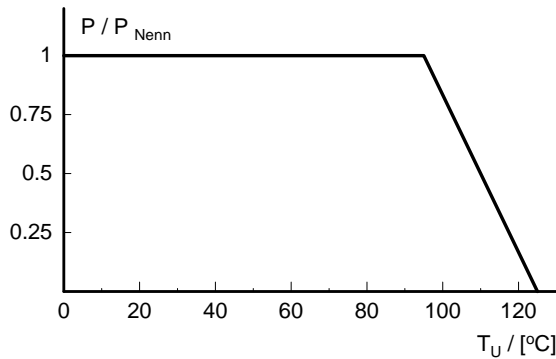


<b>Technical Data</b>	
Resistance Range	1 mOhm - 100 Ohm
Tolerances	0.1 %, 0.5 %, 1 %
Temperature coefficient ( TCR )	< 10 ppm/K ( 20 °C to 60 °C )
Applicable temperature range	-55 °C to +125 °C
Load capacity	1 W
Thermal resistance to ambiente	Rth < 30 K/W
Dielectric withstanding voltage	1000 V AC
Inductance ( R = 10 mOhm )	< 10 nH
Stability ( nominal load at 70 °C )	deviation < 0.05 % after 2,000 h

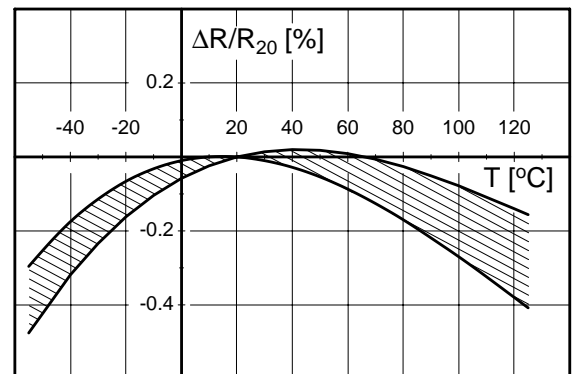
- Remarks:
- Standard resistance values according to E12 with the additional values of 2 and 5
  - Minimum quantity of other values on request
  - Tolerance 0.1% for values from 5 mOhm

Resistor type **A-N** with its separated current and voltage connections configured as a four-terminal resistor (i.e., Kelvin connection) is ideally suited for precise current measurement, current limitation or regulation in power units, current sources, and electronic loads. It is also applied for current measurements in pulse width modulated (PWM) control circuits for inductive users such as servo and stepper motors and solenoid driver circuits.

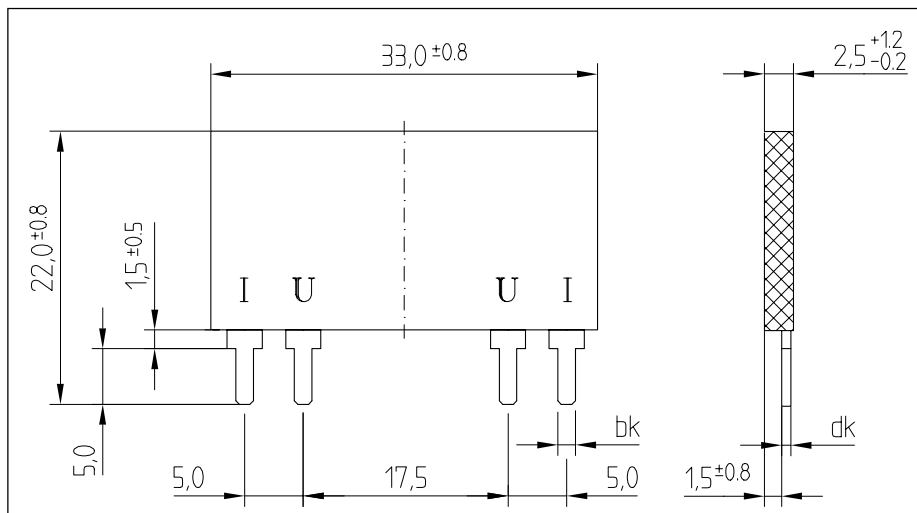
Design in foil technique and application of precision resistance alloy **MANGANIN** warrants for a long term stability. By optimization of the shape, a high load capacity was obtained while maintaining accuracy and small inductance.



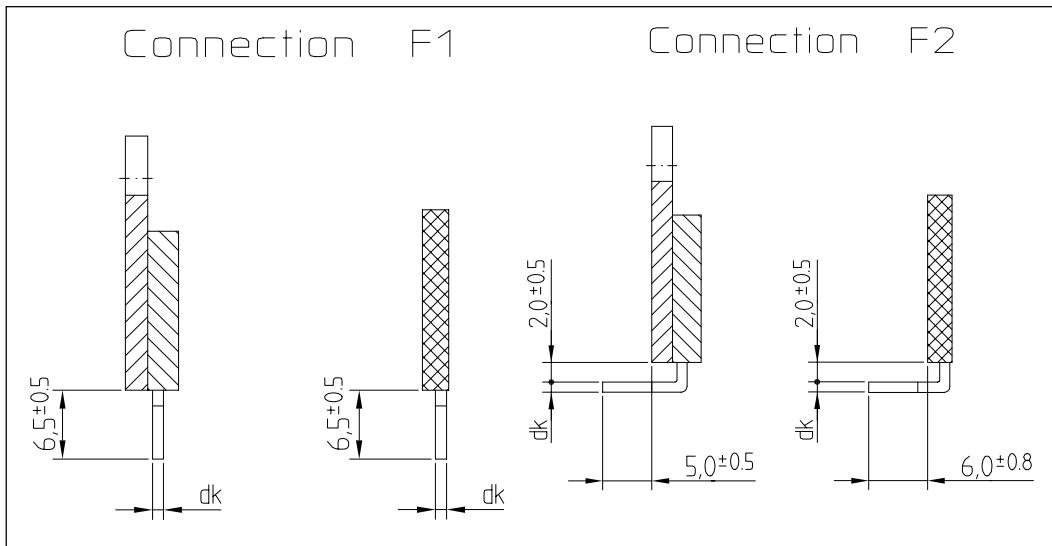
power derating curve



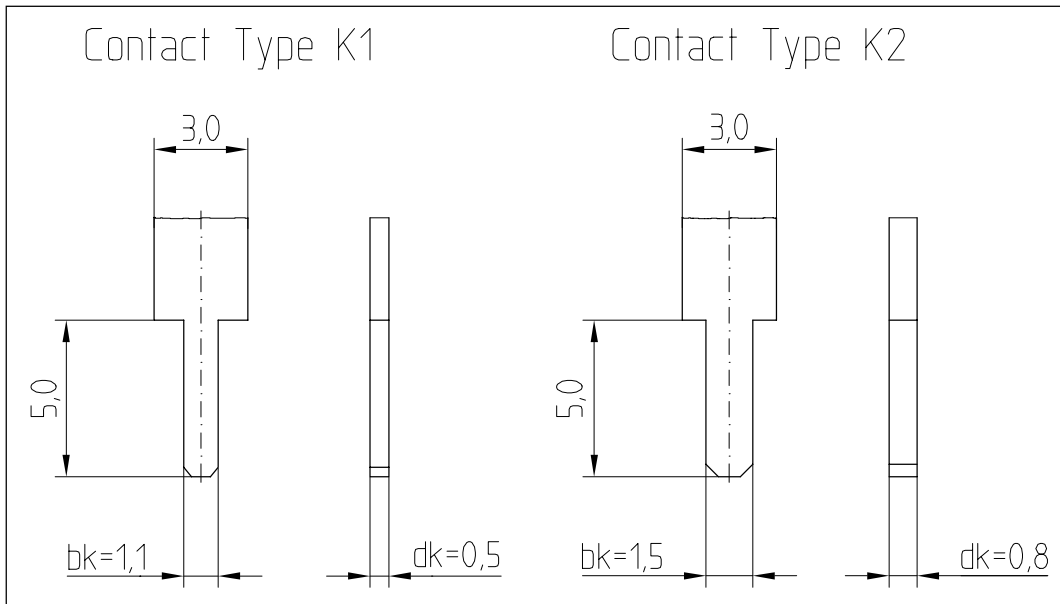
Temperature dependence of the electrical resistance of ISA-PLAN Resistors



dimensions ( mm )



F1 Standard / F2 on request



K1- R >10 mOhm

K2 - R from 1 - 10 mOhm

<b>ordering example: A-N - R010 - F1 - K2 - 0,1</b>			
type	resistance value	terminal	tolerance
A-N	10 mOhm	F1-K2	0,1 %

( Technical modifications reserved )