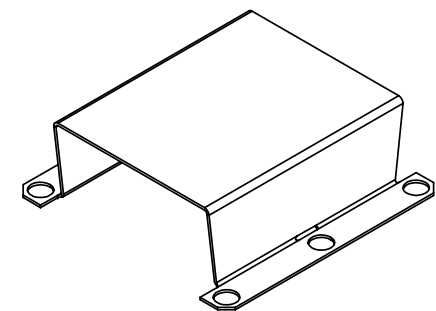
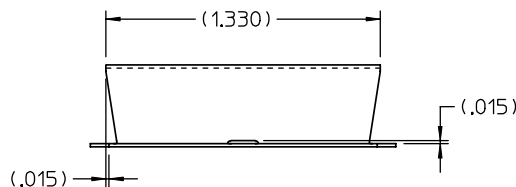
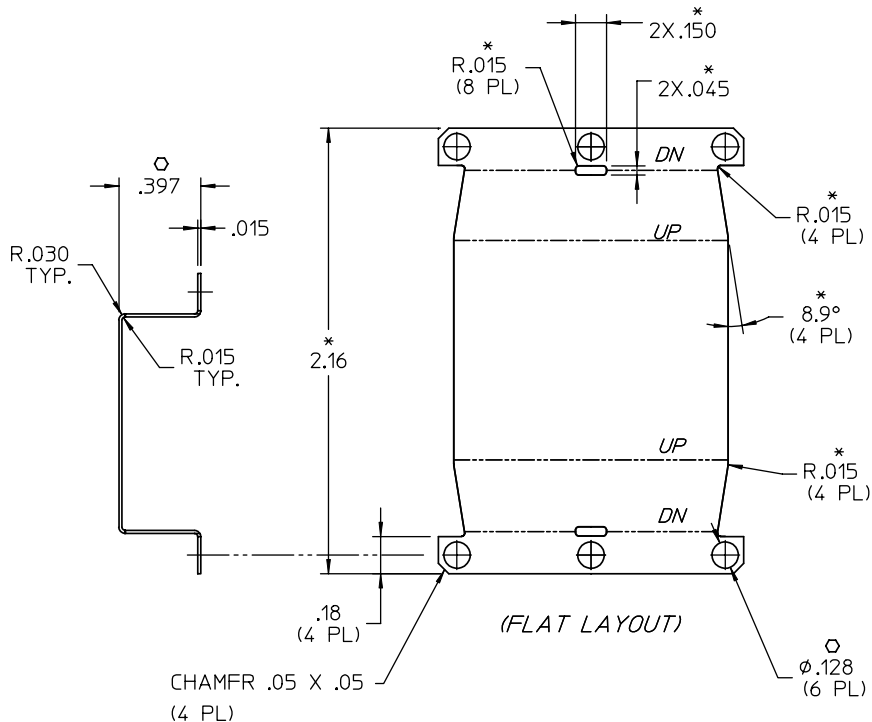
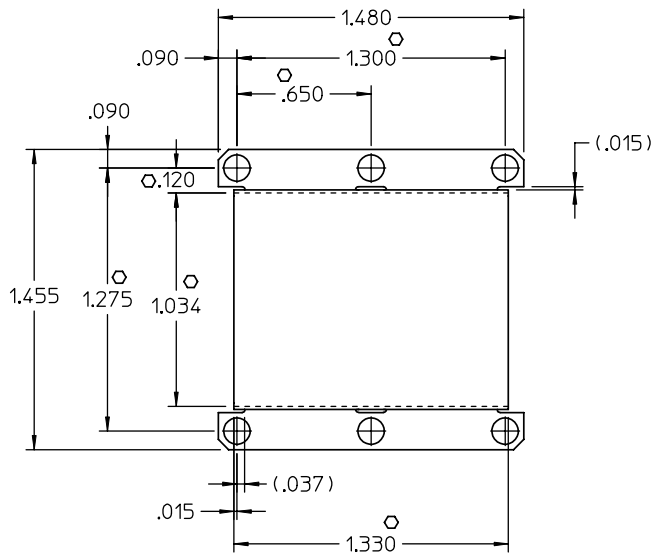


VICOR CONFIDENTIAL

THIS DOCUMENT AND THE DATA DISCLOSED HEREIN OR HEREWITH IS NOT TO BE REPRODUCED, USED, OR DISCLOSED IN WHOLE OR IN PART TO ANYONE WITHOUT PERMISSION OF VICOR CORP.

REV.	DESCRIPTION	DATE	APPROVED
#1	DRAWN FOR DEVELOPMENT	AK	5/03/01 GCK
#2	REVSD PER MRKUP	AK	9/11/01 GCK



NOTES:

1. MATERIAL: ALUMINUM- (.015) THK, 5052
2. REMOVE BURRS & SHARP EDGES
3. "*" DIMS ARE NOT FOR VICOR INSPECTION.
4. "O" DENOTES CRITICAL CHARACTERISTIC.
5. FINISH: CLEAR CHROMATE

DRAWN BY	DATE	VICOR	
A. KUMAR	5/03/01		
UNLESS OTHERWISE SPECIFIED DIMENSIONS ARE IN INCHES- TOLERANCES ARE: FRACTIONS DECIMALS ANGLES +1/64 .XX+ .01 *1° .XXX-.005 *1°			
THIRD ANGLE PROJECTION	SIZE	FSCM NO.	DWG NO.
	C	67131	21240
DO NOT SCALE DRAWING	SCALE	2X	SHEET 1 OF 1
			REV #2