

POSITIVE VOLTAGE REGULATOR

DESCRIPTION

The UTC UR6225 is a positive voltage output, three-pin regulator, that provide a high current even when the input/output voltage differential is small. Low power consumption and high accuracy is achieved through CMOS and laser trimming technologies.

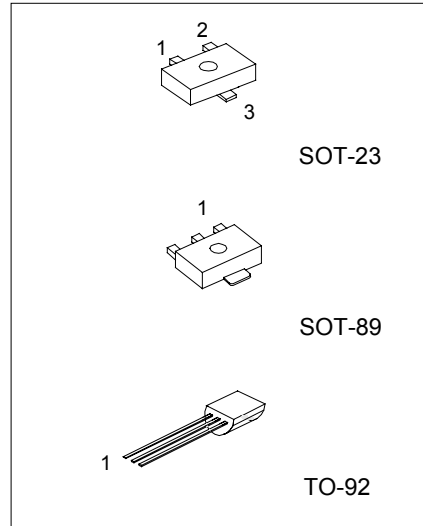
The UTC UR6225 consists of a high-precision voltage reference, an error amplification circuit, and a current limited output driver. Transient response to load variations have improved in comparison to the existing series.

FEATURES

- * Maximum Output Current: 250mA
(within max. power dissipation, $V_{OUT} = 5.0V$)
- * Output Voltage Range: 2.0V ~ 6.0V in 0.1V increments
(1.5V ~ 1.9V for custom products)
- * Highly Accurate: Output voltage $\pm 2\%$
($\pm 1\%$ for semi-custom products)
- * Low Power Consumption: Typ. $2.0 \mu A$ @ $V_{OUT} = 5.0V$
- * Output Voltage Temperature Characteristics
: Typ. $\pm 100 \text{ppm}/^\circ\text{C}$
- * Input Stability : Typ. $0.2\%/V$
- * Small Input-Output Differential
: $I_{OUT} = 100 \text{mA}$ @ $V_{OUT} = 5.0V$ with a 0.12V differential.

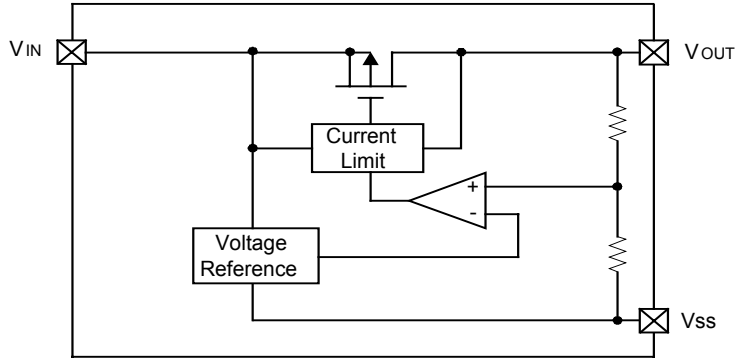
APPLICATIONS

- * Battery Powered Equipment
- * Palmtops
- * Portable Cameras and Video Recorders
- * Reference Voltage Sources



* Pb-free plating product number: UR6225L

BLOCK DIAGRAM



MARKING INFORMATION

PACKAGE	VOLTAGE CODE	PIN 1	PIN 2	PIN 3	MARKING
SOT-89	20:2.0V	Vss	Vin	Vout	
	21:2.1V				
	22:2.2V				
	23:2.3V				
	24:2.4V				
	25:2.5V				
	26:2.6V				
	27:2.7V				
	28:2.8V				
	29:2.9V				
SOT-23	2J:2.85V	Vout	Vss	Vin	
	30:3.0V				
	31:3.1V				
	32:3.2V				
	33:3.3V				
	34:3.4V				
TO-92	35:3.5V	Vss	Vin	Vout	
	36:3.6V				
	37:3.7V				
	38:3.8V				
	39:3.9V				
	40:4.0V				
	41:4.1V				
	42:4.2V				
	43:4.3V				
	44:4.4V				
	45:4.5V				
	46:4.6V				
	50:5.0V				
	51:5.1V				
	52:5.2V				
	53:5.3V				
	54:5.4V				
	55:5.5V				
	56:5.6V				
	57:5.7V				
	58:5.8V				
	59:5.9V				
	60:6.0V				

ABSOLUTE MAXIMUM RATINGS (Ta=25°C)

PARAMETER	SYMBOL	RATINGS	UNIT
Input Voltage	V _{IN}	12	V
Output Current	I _{OUT}	500	mA
Output Voltage	V _{OUT}	V _{SS} -0.3 ~ V _{IN} +0.3	V
Continuous Total Power Dissipation	P _D	150 500 300	mW
SOT-23			
SOT-89 TO-92			
Operating Ambient Temperature	T _{opr}	-40 ~ +85	°C
Storage Temperature	T _{stg}	-40 ~ +125	°C

ELECTRICAL CHARACTERISTICS (Ta=25°C, unless otherwise noted.)

UR6225-5.0V (Note1)

PARAMETER	CIRCUIT	SYMBOL	TEST CONDITONS	MIN	TYP	MAX	UNIT
Output Voltage	1	V _{OUT(E)} (Note2)	I _{OUT} =40mA, V _{IN} =6.0V	4.900	5.000	5.100	V
Maximum Output Current	1	I _{OUT(max)}	V _{IN} =6.0V V _{OUT(E)} ≥4.5V	250			mA
Load Stability	1	ΔV _{OUT}	V _{IN} =6.0V 1mA≤I _{OUT} ≤100mA		40	80	mV
Input-Output Voltage Differential(Note3)	1	V _{dif1}	I _{OUT} =100mA		120	300	mV
	1	V _{dif2}	I _{OUT} =200mA		380	600	mV
Supply Current	2	I _{SS}	V _{IN} =6.0V		2.0	4.5	μA
Input Stability	1	$\frac{\Delta V_{OUT}}{\Delta V_{IN} \times V_{OUT}}$	I _{OUT} =40mA 6.0V≤V _{IN} ≤10.0V		0.2	0.3	%/V
Input Voltage		V _{IN}				10	V
Output Voltage Temperature Characteristics	1	$\frac{\Delta V_{OUT}}{\Delta T_{opr} \times V_{OUT}}$	I _{OUT} =40mA -40°C≤T _{opr} ≤85°C		±100		ppm/°C

UR6225-4.0V (Note1)

PARAMETER	CIRCUIT	SYMBOL	TEST CONDITONS	MIN	TYP	MAX	UNIT
Output Voltage	1	V _{OUT(E)} (Note2)	I _{OUT} =40mA, V _{IN} =5.0V	3.920	4.000	4.080	V
Maximum Output Current	1	I _{OUT(max)}	V _{IN} =5.0V, V _{OUT(E)} ≥3.6V	200			mA
Load Stability	1	ΔV _{OUT}	V _{IN} =5.0V 1mA≤I _{OUT} ≤100mA		45	90	mV
Input-Output Voltage Differential(Note3)	1	V _{dif1}	I _{OUT} =100mA		170	330	mV
	1	V _{dif2}	I _{OUT} =200mA		400	630	mV
Supply Current	2	I _{SS}	V _{IN} =5.0V		2.0	4.5	μA
Input Stability	1	$\frac{\Delta V_{OUT}}{\Delta V_{IN} \times V_{OUT}}$	I _{OUT} =40mA 5.0V≤V _{IN} ≤10.0V		0.2	0.3	%/V
Input Voltage		V _{IN}				10	V
Output Voltage Temperature Characteristics	1	$\frac{\Delta V_{OUT}}{\Delta T_{opr} \times V_{OUT}}$	I _{OUT} =40mA -40°C≤T _{opr} ≤85°C		±100		ppm/°C

UR6225-3.3V (Note1)

PARAMETER	CIRCUIT	SYMBOL	TEST CONDITONS	MIN	TYP	MAX	UNIT
Output Voltage	1	V _{OUT(E)} (Note2)	I _{OUT} =40mA, V _{IN} =4.3V	3.234	3.300	3.366	V
Maximum Output Current	1	I _{OUT(max)}	V _{IN} =4.3V, V _{OUT(E)} ≥2.97V	165			mA
Load Stability	1	ΔV _{OUT}	V _{IN} =4.3V 1mA≤I _{OUT} ≤86mA		45	90	mV
Input-Output Voltage Differential(Note3)	1	V _{dif1}	I _{OUT} =86mA		180	360	mV
	1	V _{dif2}	I _{OUT} =172mA		400	700	mV
Supply Current	2	I _{SS}	V _{IN} =4.3V		2.0	4.5	μA
Input Stability	1	$\frac{\Delta V_{OUT}}{\Delta V_{IN} \times V_{OUT}}$	I _{OUT} =40mA 4.3V≤V _{IN} ≤10.0V		0.2	0.3	%/V
Input Voltage		V _{IN}				10	V
Output Voltage Temperature Characteristics	1	$\frac{\Delta V_{OUT}}{\Delta T_{opr} \times V_{OUT}}$	I _{OUT} =40mA -40°C≤T _{opr} ≤85°C		±100		ppm/°C

UR6225-3.0V (Note1)

PARAMETER	CIRCUIT	SYMBOL	TEST CONDITONS	MIN	TYP	MAX	UNIT
Output Voltage	1	V _{OUT(E)} (Note2)	I _{OUT} =40mA, V _{IN} =4.0V	2.940	3.000	3.060	V
Maximum Output Current	1	I _{OUT(max)}	V _{IN} =4.0V, V _{OUT(E)} ≥2.7V	150			mA
Load Stability	1	ΔV _{OUT}	V _{IN} =4.0V 1mA≤I _{OUT} ≤80mA		45	90	mV
Input-Output Voltage Differential(Note3)	1	V _{dif1}	I _{OUT} =80mA		180	360	mV
	1	V _{dif2}	I _{OUT} =160mA		400	700	mV
Supply Current	2	I _{SS}	V _{IN} =4.0V		2.0	4.5	μA
Input Stability	1	$\frac{\Delta V_{OUT}}{\Delta V_{IN} \times V_{OUT}}$	I _{OUT} =40mA 4.0V≤V _{IN} ≤10.0V		0.2	0.3	%/V
Input Voltage		V _{IN}				10	V
Output Voltage Temperature Characteristics	1	$\frac{\Delta V_{OUT}}{\Delta T_{opr} \times V_{OUT}}$	I _{OUT} =40mA -40°C≤T _{opr} ≤85°C		±100		ppm/°C

UR6225-2.85V (Note1)

PARAMETER	CIRCUIT	SYMBOL	TEST CONDITONS	MIN	TYP	MAX	UNIT
Output Voltage	1	V _{OUT(E)} (Note2)	I _{OUT} =40mA, V _{IN} =3.85V	2.793	2.85	2.907	V
Maximum Output Current	1	I _{OUT(max)}	V _{IN} =3.85V, V _{OUT(E)} ≥2.565V	142.5			mA
Load Stability	1	ΔV _{OUT}	V _{IN} =3.85V 1mA≤I _{OUT} ≤77mA		45	90	mV
Input-Output Voltage Differential(Note3)	1	V _{dif1}	I _{OUT} =77mA		180	360	mV
	1	V _{dif2}	I _{OUT} =154mA		400	700	mV
Supply Current	2	I _{SS}	V _{IN} =3.85V		2.0	4.5	μA
Input Stability	1	$\frac{\Delta V_{OUT}}{\Delta V_{IN} \times V_{OUT}}$	I _{OUT} =40mA 3.85V≤V _{IN} ≤10.0V		0.2	0.3	%/V
Input Voltage		V _{IN}				10	V
Output Voltage Temperature Characteristics	1	$\frac{\Delta V_{OUT}}{\Delta T_{opr} \times V_{OUT}}$	I _{OUT} =40mA -40°C≤T _{opr} ≤85°C		±100		ppm/°C

UR6225-2.8V (Note1)

PARAMETER	CIRCUIT	SYMBOL	TEST CONDITONS	MIN	TYP	MAX	UNIT
Output Voltage	1	V _{OUT(E)} (Note2)	I _{OUT} =40mA, V _{IN} =3.8V	2.744	2.800	2.856	V
Maximum Output Current	1	I _{OUT(max)}	V _{IN} =3.8V, V _{OUT(E)} ≥2.52V	140			mA
Load Stability	1	ΔV _{OUT}	V _{IN} =3.8V 1mA≤I _{OUT} ≤76mA		45	90	mV
Input-Output Voltage Differential(Note3)	1	V _{dif1}	I _{OUT} =76mA		180	360	mV
	1	V _{dif2}	I _{OUT} =152mA		400	700	mV
Supply Current	2	I _{SS}	V _{IN} =3.8V		2.0	4.5	μA
Input Stability	1	$\frac{\Delta V_{OUT}}{\Delta V_{IN} \times V_{OUT}}$	I _{OUT} =40mA 3.8V≤V _{IN} ≤10.0V		0.2	0.3	%/V
Input Voltage		V _{IN}				10	V
Output Voltage Temperature Characteristics	1	$\frac{\Delta V_{OUT}}{\Delta T_{opr} \times V_{OUT}}$	I _{OUT} =40mA -40°C≤T _{opr} ≤85°C		±100		ppm/°C

UR6225-2.6V (Note1)

PARAMETER	CIRCUIT	SYMBOL	TEST CONDITONS	MIN	TYP	MAX	UNIT
Output Voltage	1	V _{OUT(E)} (Note2)	I _{OUT} =40mA, V _{IN} =3.6V	2.548	2.600	2.652	V
Maximum Output Current	1	I _{OUT(max)}	V _{IN} =3.6V, V _{OUT(E)} ≥2.34V	130			mA
Load Stability	1	ΔV _{OUT}	V _{IN} =3.6V 1mA≤I _{OUT} ≤72mA		45	90	mV
Input-Output Voltage Differential(Note3)	1	V _{dif1}	I _{OUT} =72mA		180	360	mV
	1	V _{dif2}	I _{OUT} =144mA		400	700	mV
Supply Current	2	I _{SS}	V _{IN} =3.6V		2.0	4.5	μA
Input Stability	1	$\frac{\Delta V_{OUT}}{\Delta V_{IN} \times V_{OUT}}$	I _{OUT} =40mA 3.6V≤V _{IN} ≤10.0V		0.2	0.3	%/V
Input Voltage		V _{IN}				10	V
Output Voltage Temperature Characteristics	1	$\frac{\Delta V_{OUT}}{\Delta T_{opr} \times V_{OUT}}$	I _{OUT} =40mA -40°C≤T _{opr} ≤85°C		±100		ppm/°C

UR6225-2.5V (Note1)

PARAMETER	CIRCUIT	SYMBOL	TEST CONDITONS	MIN	TYP	MAX	UNIT
Output Voltage	1	V _{OUT(E)} (Note2)	I _{OUT} =40mA, V _{IN} =3.5V	2.45	2.500	2.55	V
Maximum Output Current	1	I _{OUT(max)}	V _{IN} =3.5V, V _{OUT(E)} ≥2.25V	125			mA
Load Stability	1	ΔV _{OUT}	V _{IN} =3.5V 1mA≤I _{OUT} ≤70mA		45	90	mV
Input-Output Voltage Differential(Note3)	1	V _{dif1}	I _{OUT} =70mA		180	360	mV
	1	V _{dif2}	I _{OUT} =140mA		400	700	mV
Supply Current	2	I _{SS}	V _{IN} =3.5V		2.0	4.5	μA
Input Stability	1	$\frac{\Delta V_{OUT}}{\Delta V_{IN} \times V_{OUT}}$	I _{OUT} =40mA 3.5V≤V _{IN} ≤10.0V		0.2	0.3	%/V
Input Voltage		V _{IN}				10	V
Output Voltage Temperature Characteristics	1	$\frac{\Delta V_{OUT}}{\Delta T_{opr} \times V_{OUT}}$	I _{OUT} =40mA -40°C≤T _{opr} ≤85°C		±100		ppm/°C

UR6225-2.1V (Note1)

PARAMETER	CIRCUIT	SYMBOL	TEST CONDITONS	MIN	TYP	MAX	UNIT
Output Voltage	1	V _{OUT(E)} (Note2)	I _{OUT} =40mA, V _{IN} =3.1V	2.058	2.100	2.142	V
Maximum Output Current	1	I _{OUT(max)}	V _{IN} =3.1V, V _{OUT(E)} ≥1.89V	105			mA
Load Stability	1	ΔV _{OUT}	V _{IN} =3.1V 1mA≤I _{OUT} ≤62mA		45	90	mV
Input-Output Voltage Differential(Note3)	1	V _{dif1}	I _{OUT} =62mA		180	360	mV
	1	V _{dif2}	I _{OUT} =124mA		400	700	mV
Supply Current	2	I _{SS}	V _{IN} =3.1V		2.0	4.5	μA
Input Stability	1	$\frac{\Delta V_{OUT}}{\Delta V_{IN} \times V_{OUT}}$	I _{OUT} =40mA 3.1V≤V _{IN} ≤10.0V		0.2	0.3	%/V
Input Voltage		V _{IN}				10	V
Output Voltage Temperature Characteristics	1	$\frac{\Delta V_{OUT}}{\Delta T_{opr} \times V_{OUT}}$	I _{OUT} =40mA -40°C≤T _{opr} ≤85°C		±100		ppm/°C

UR6225-2.0V (Note1)

PARAMETER	CIRCUIT	SYMBOL	TEST CONDITONS	MIN	TYP	MAX	UNIT
Output Voltage	1	V _{OUT(E)} (Note2)	I _{OUT} =40mA, V _{IN} =3.0V	1.960	2.000	2.040	V
Maximum Output Current	1	I _{OUT(max)}	V _{IN} =3.0V, V _{OUT(E)} ≥1.8V	100			mA
Load Stability	1	ΔV _{OUT}	V _{IN} =3.0V 1mA≤I _{OUT} ≤60mA		45	90	mV
Input-Output Voltage Differential(Note3)	1	V _{dif1}	I _{OUT} =60mA		180	360	mV
	1	V _{dif2}	I _{OUT} =120mA		400	700	mV
Supply Current	2	I _{SS}	V _{IN} =3.0V		2.0	4.5	μA
Input Stability	1	$\frac{\Delta V_{OUT}}{\Delta V_{IN} \times V_{OUT}}$	I _{OUT} =40mA 3.0V≤V _{IN} ≤10.0V		0.2	0.3	%/V
Input Voltage		V _{IN}				10	V
Output Voltage Temperature Characteristics	1	$\frac{\Delta V_{OUT}}{\Delta T_{opr} \times V_{OUT}}$	I _{OUT} =40mA -40°C≤T _{opr} ≤85°C		±100		ppm/°C

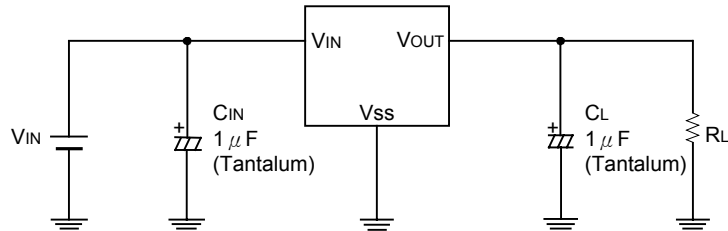
UR6225-1.8V (Note1)

PARAMETER	CIRCUIT	SYMBOL	TEST CONDITONS	MIN	TYP	MAX	UNIT
Output Voltage	1	V _{OUT(E)} (Note2)	I _{OUT} =40mA, V _{IN} =2.8V	1.764	1.800	1.836	V
Maximum Output Current	1	I _{OUT(max)}	V _{IN} =2.8V, V _{OUT(E)} ≥1.62V	90			mA
Load Stability	1	ΔV _{OUT}	V _{IN} =2.8V 1mA≤I _{OUT} ≤60mA		45	90	mV
Input-Output Voltage Differential(Note3)	1	V _{dif1}	I _{OUT} =56mA		180	360	mV
	1	V _{dif2}	I _{OUT} =112mA		400	700	mV
Supply Current	2	I _{SS}	V _{IN} =2.8V		2.0	4.5	μA
Input Stability	1	$\frac{\Delta V_{OUT}}{\Delta V_{IN} \times V_{OUT}}$	I _{OUT} =40mA 2.8V≤V _{IN} ≤10.0V		0.2	0.3	%/V
Input Voltage		V _{IN}				10	V
Output Voltage Temperature Characteristics	1	$\frac{\Delta V_{OUT}}{\Delta T_{opr} \times V_{OUT}}$	I _{OUT} =40mA -40°C≤T _{opr} ≤85°C		±100		ppm/°C

Note:

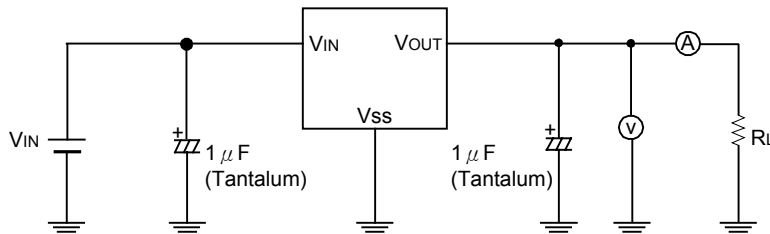
1. V_{OUT(T)}=Specified Output Voltage.
2. V_{OUT(E)}=Effective Output Voltage (i.e. the output voltage when "V_{OUT(T)}+1.0V" is provided at the V_{IN} pin while maintaining a certain I_{OUT} value).
3. V_{dif}= {V_{IN1}^(Note4)-V_{OUT (E)}}
4. V_{IN1}= The input voltage at the time 98% of V_{OUT(E)} is output (input voltage has been gradually reduced).

TYPICAL APPLICATION CIRCUIT

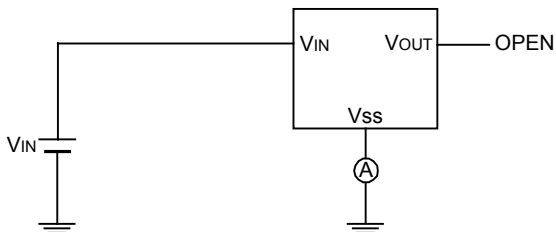


TEST CIRCUITS

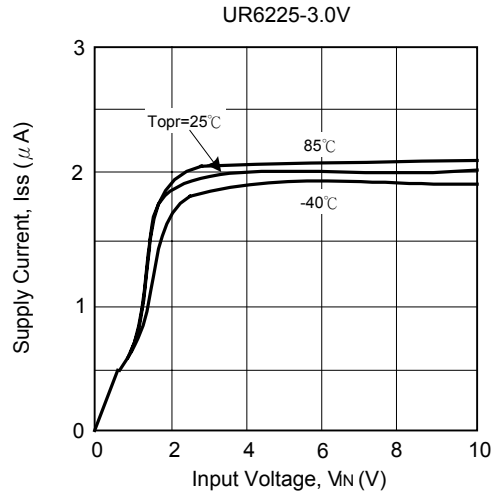
Circuit 1



Circuit 2

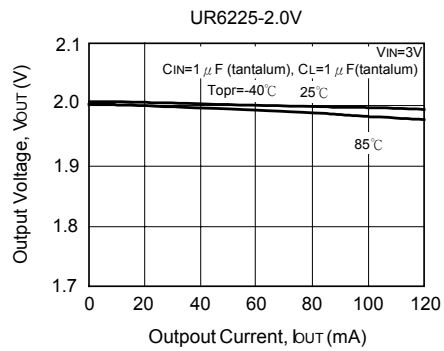
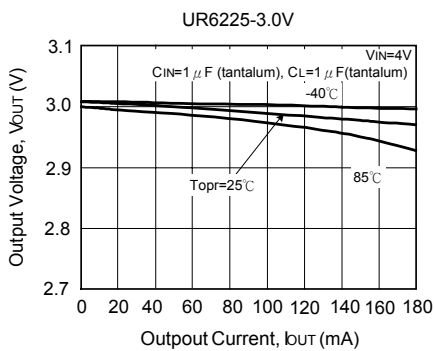
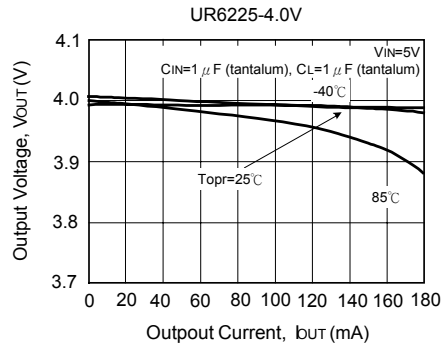
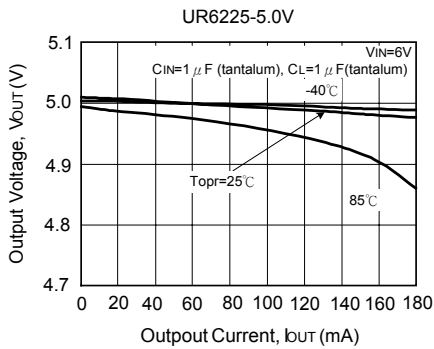


TYPICAL PERFORMANCE CHARACTERISTIC

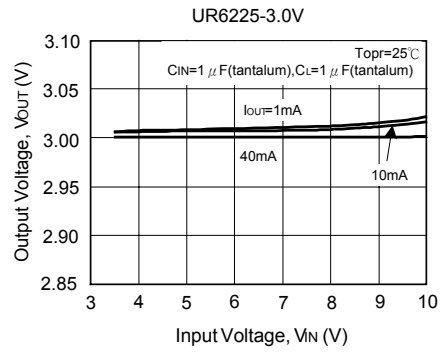
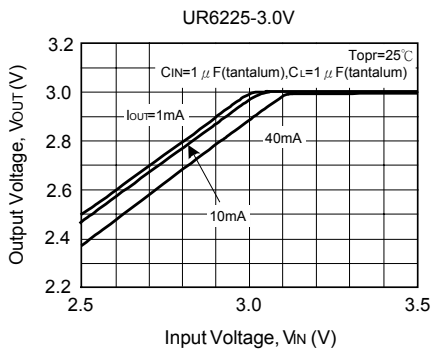
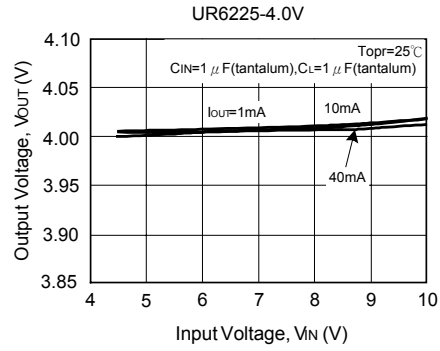
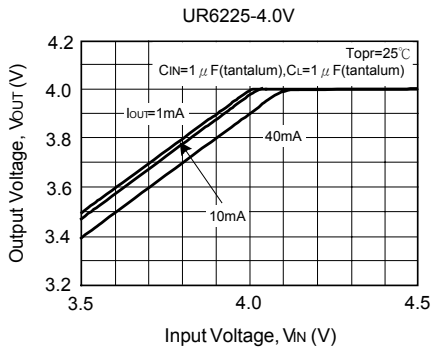
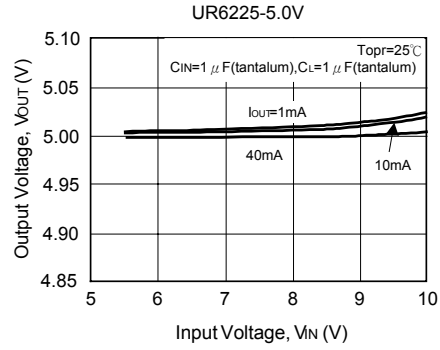
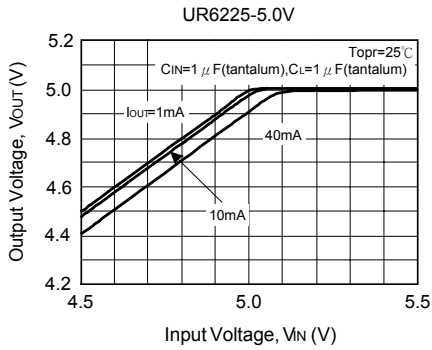


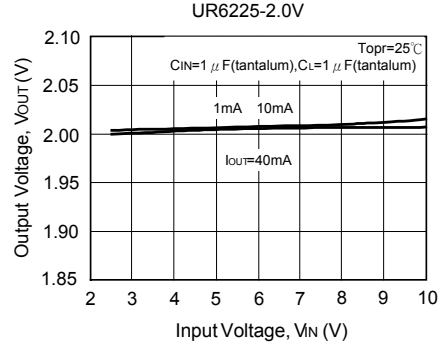
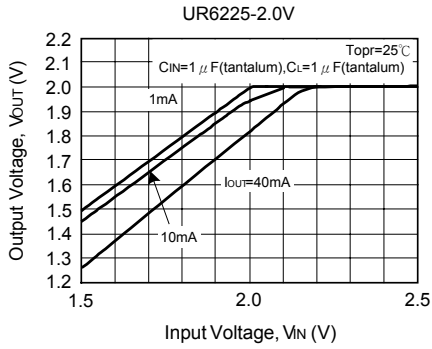
TYPICAL PERFORMANCE CHARACTERISTICS

(1) OUTPUT VOLTAGE vs. OUTPUT CURRENT

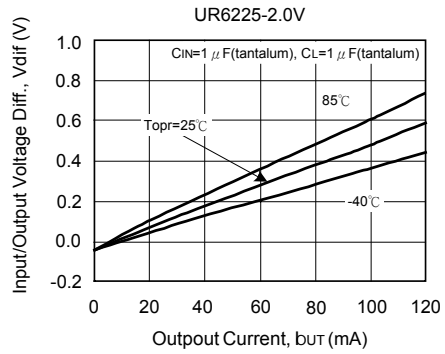
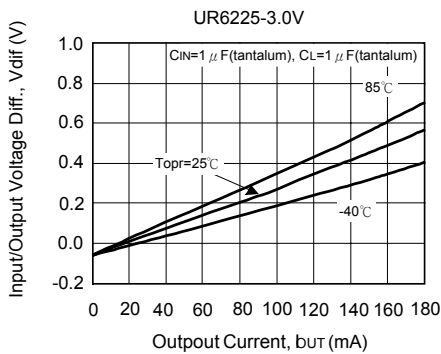
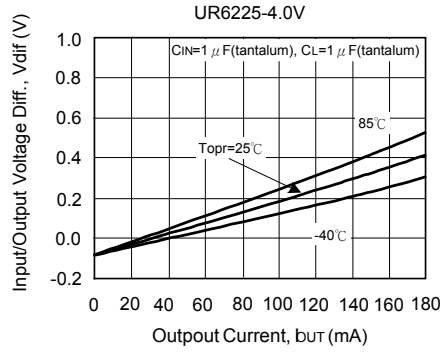
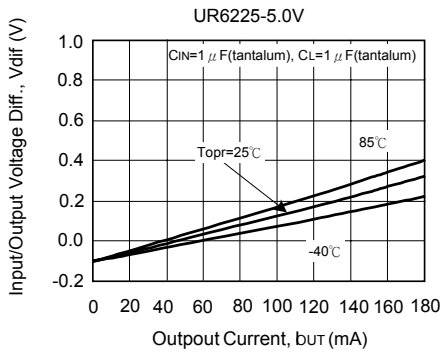


(2) OUTPUT VOLTAGE vs. INPUT VOLTAGE

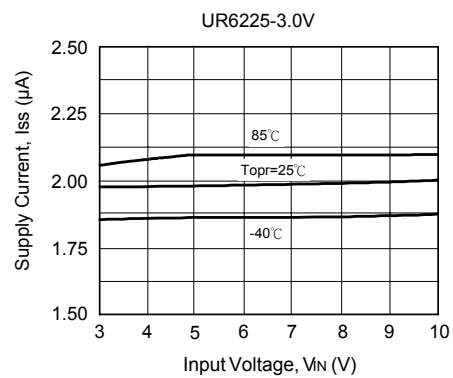
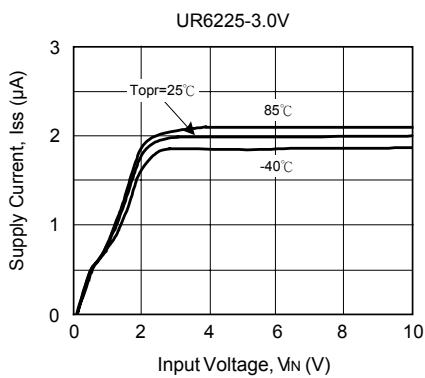
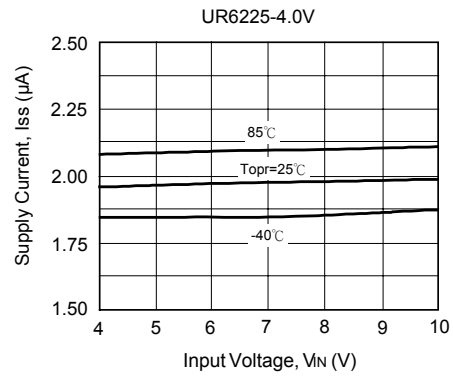
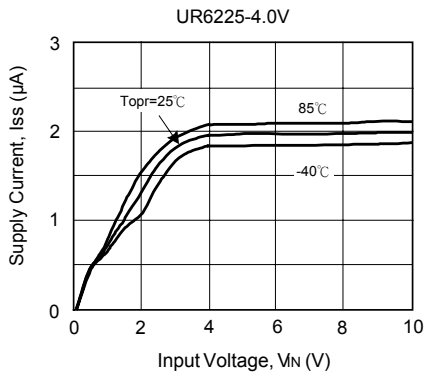
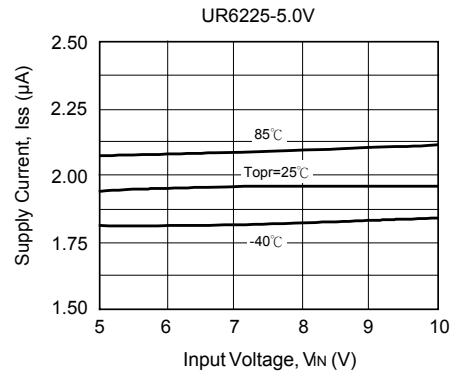
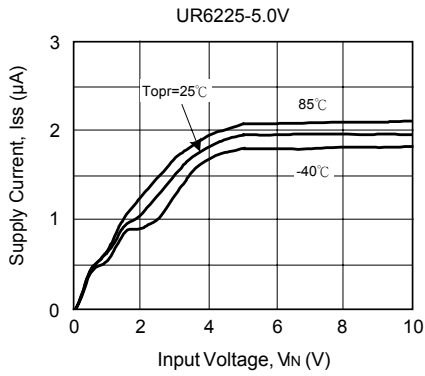


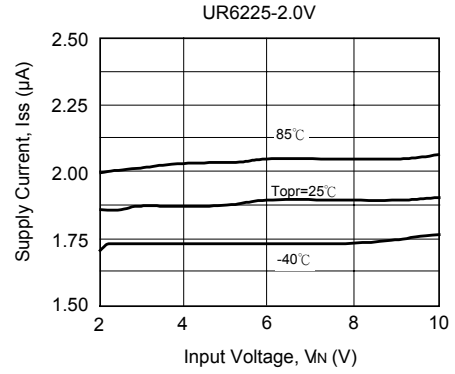
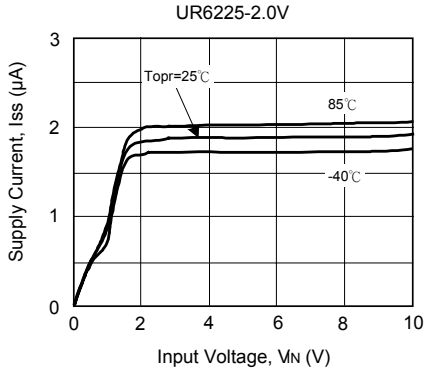


(3) INPUT/OUTPUT VOLTAGE DIFFERENTIAL vs. OUTPUT CURRENT

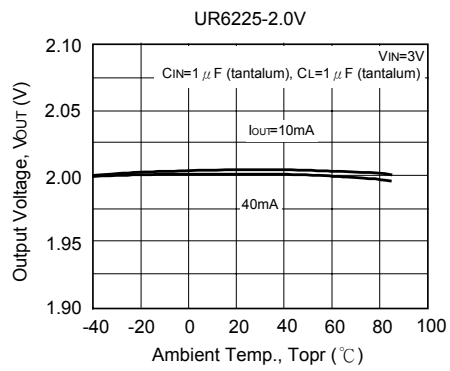
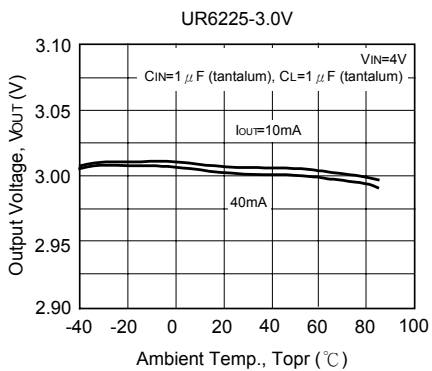
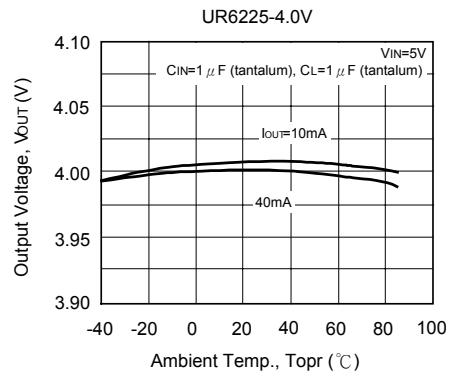
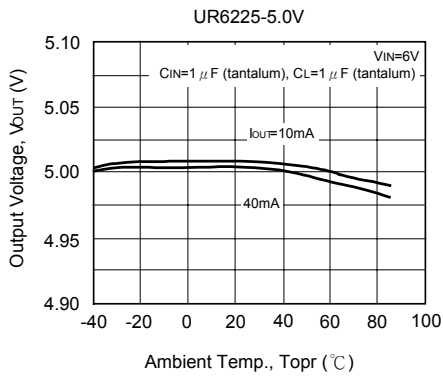


(4) SUPPLY CURRENT vs. INPUT VOLTAGE

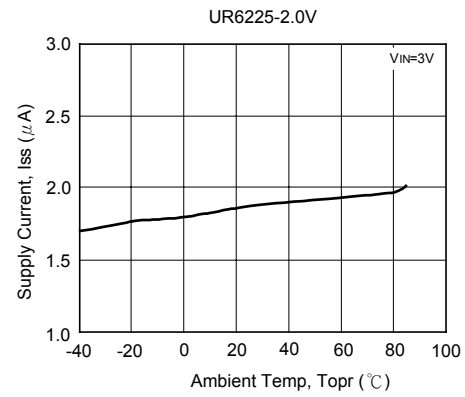
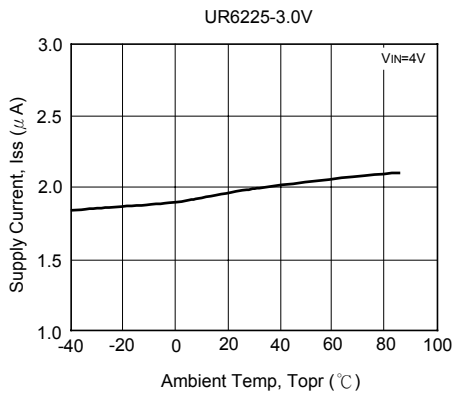
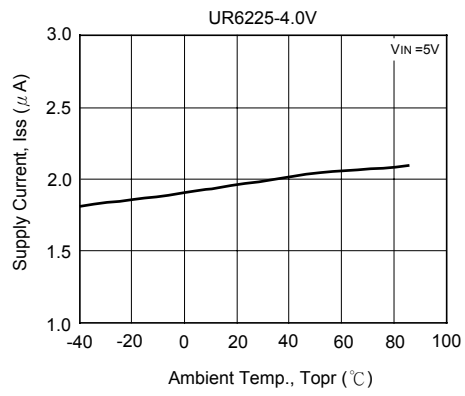
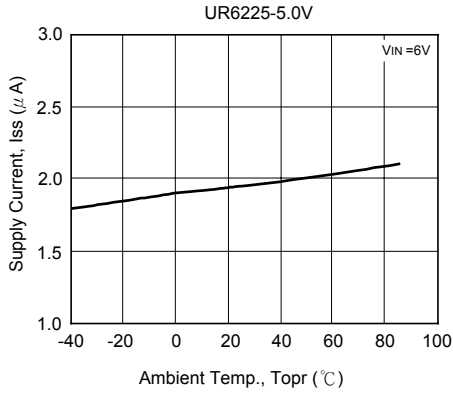




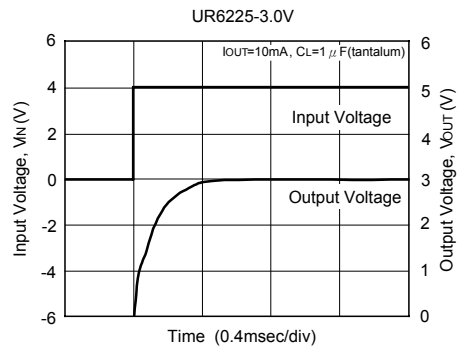
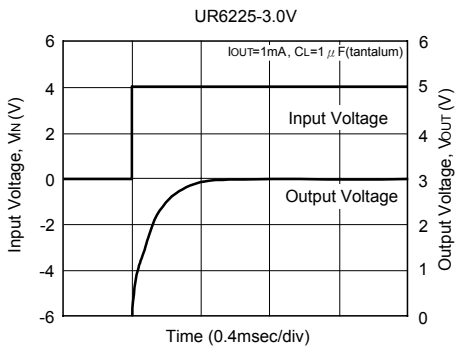
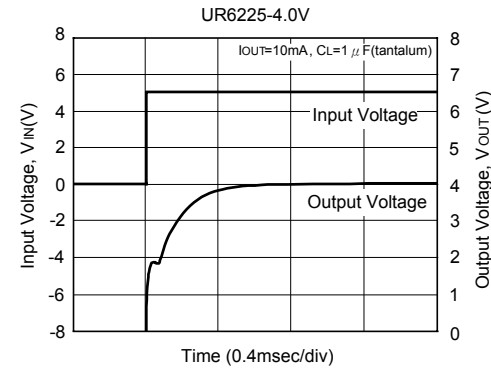
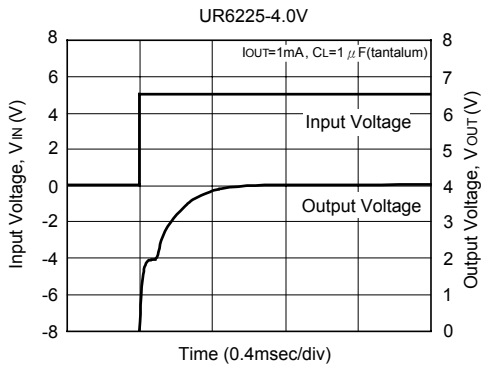
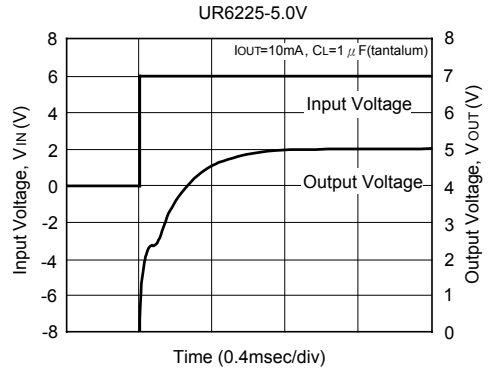
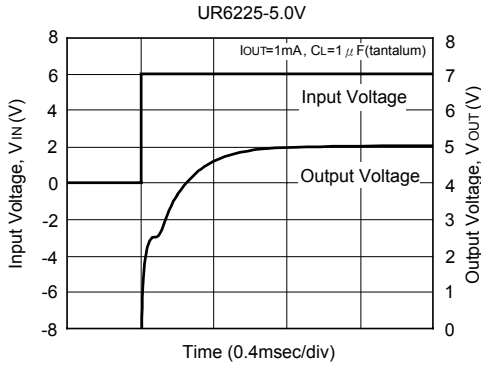
(5) OUTPUT VOLTAGE vs. AMBIENT TEMPERATURE

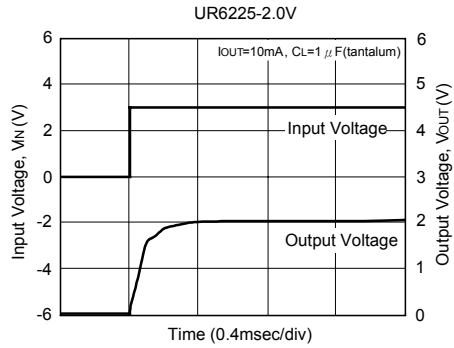
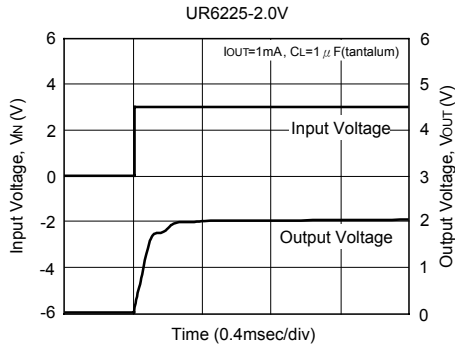


(6) SUPPLY CURRENT vs. AMBIENT TEMPERATURE

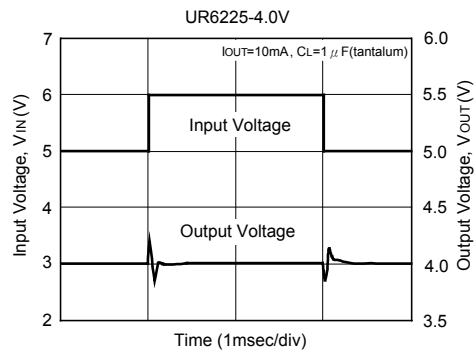
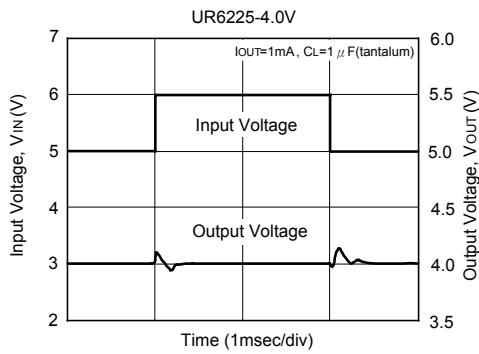
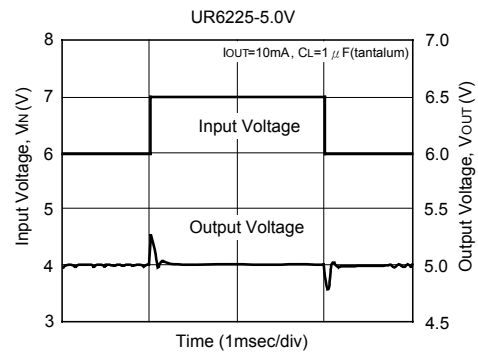
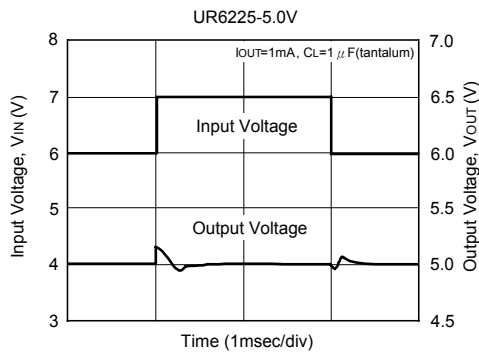


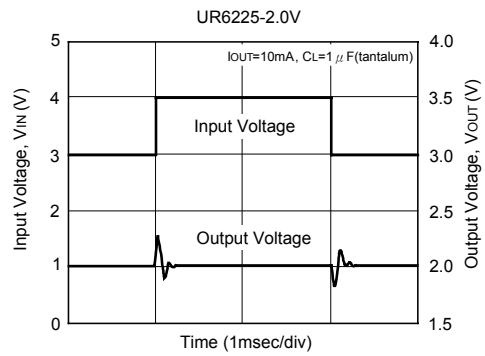
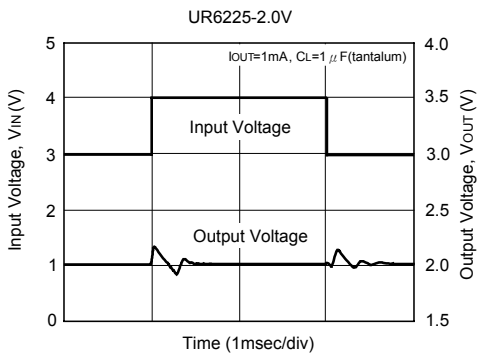
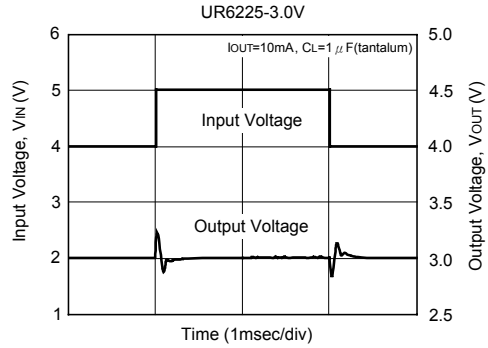
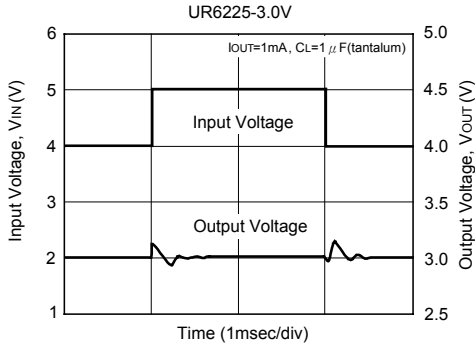
(7) INPUT TRANSIENT RESPONSE 1



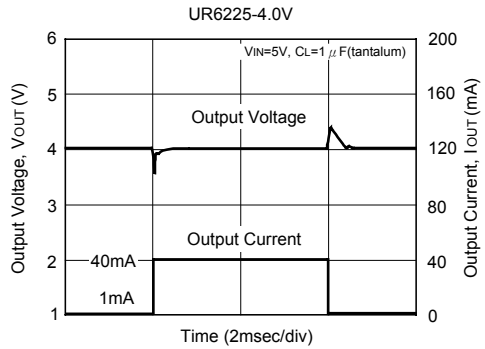
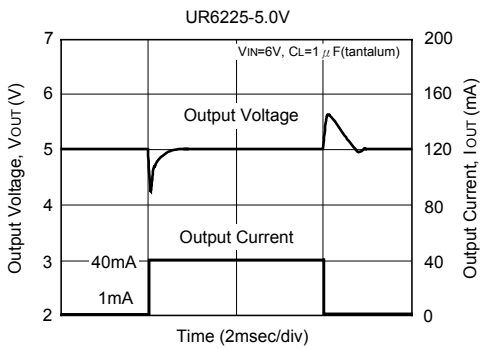


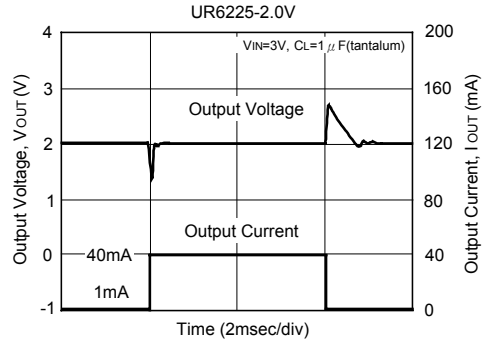
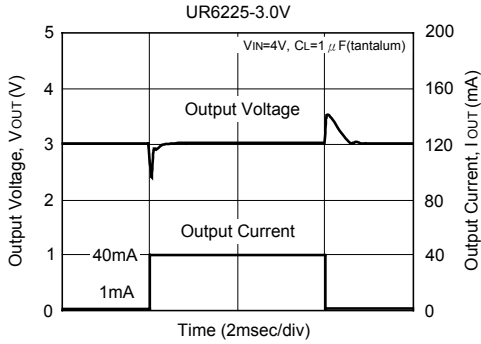
(8) INPUT TRANSIENT RESPONSE 2



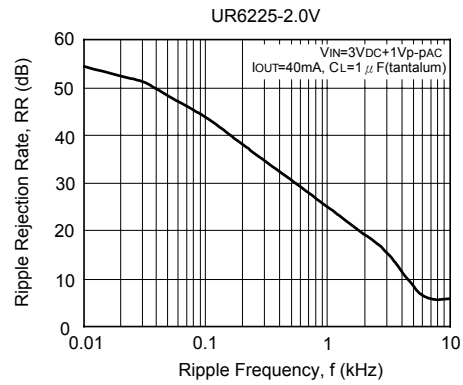
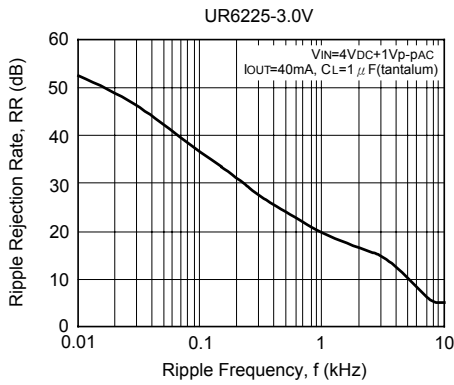
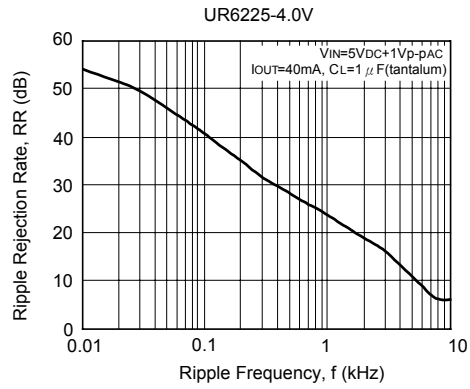
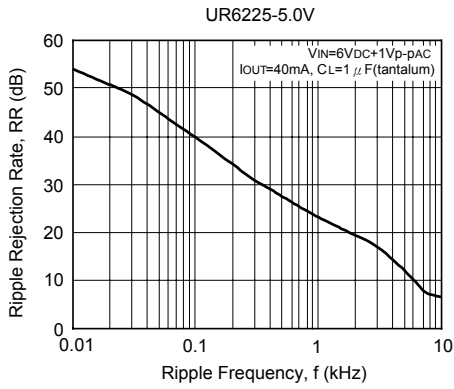


(9) LOAD TRANSIENT RESPONSE





(10) RIPPLE REJECTION RATE



UTC assumes no responsibility for equipment failures that result from using products at values that exceed, even momentarily, rated values (such as maximum ratings, operating condition ranges, or other parameters) listed in products specifications of any and all UTC products described or contained herein. UTC products are not designed for use in life support appliances, devices or systems where malfunction of these products can be reasonably expected to result in personal injury. Reproduction in whole or in part is prohibited without the prior written consent of the copyright owner. The information presented in this document does not form part of any quotation or contract, is believed to be accurate and reliable and may be changed without notice.