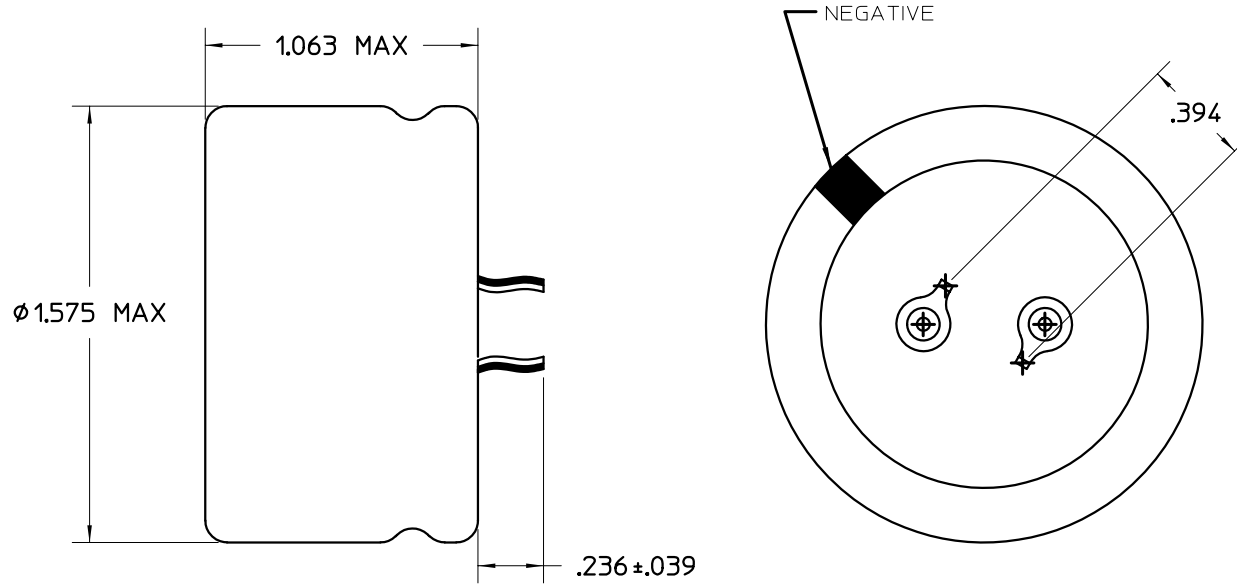


**VICOR CONFIDENTIAL**

THIS DOCUMENT AND THE DATA DISCLOSED HEREIN OR HEREWITH IS NOT TO BE REPRODUCED, USED, OR DISCLOSED IN WHOLE OR IN PART TO ANYONE WITHOUT PERMISSION OF VICOR CORP.

REV.	DESCRIPTION	DATE	APPROVED
1	DRAWN 5/7/93	HHC	



ELECTRICAL CHARACTERISTICS @ T=20°C (UNLESS OTHERWISE SPECIFIED)

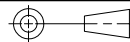
PARAMETER	SYMBOL	MIN	TYP	MAX	UNITS	TEST CONDITIONS
CAPACITANCE	C	216	270	324	μF	@ 120 Hz, 20°C
CAPACITANCE	C				μF	@ 120 Hz, -25°C - +85°C, 0 TO 400 VOLTS
LEAKAGE CURRENT	I <sub>DCL</sub>			2000	μA	@ 20°C, 5 MINUTES
EQUIVALENT SERIES RESISTANCE	ESR			1.23	Ω	@ 120 Hz, 20°C
WORKING VOLTAGE	V <sub>DCW</sub>				V	
DISSIPATION FACTOR	D					
OPERATING TEMPERATURE	T	-25°C - +85°C			°C	
DIELECTRIC STRENGTH	V				V	

MARKING:  
MFG. ID/PF CODE

UNLESS OTHERWISE SPECIFIED DIMENSIONS ARE IN INCHES TOLERANCES ARE:

FRACTIONS DECIMALS ANGLES  
± 1/64 .XX ± .01 ± 1°  
.XXX ± .005

THIRD ANGLE PROJECTION



DO NOT SCALE DRAWING

APPROVALS	DATE
DRAWN: H. CLINE	5/7/93
CHECKED:	
ISSUED	
APPD	



**CAPACITOR, 270uf ± 20%  
400V**

SIZE	FSCM NO.	DWG. NO.	REV.
B	67131	08377	1
SCALE: NONE		SHEET 1 OF 1	