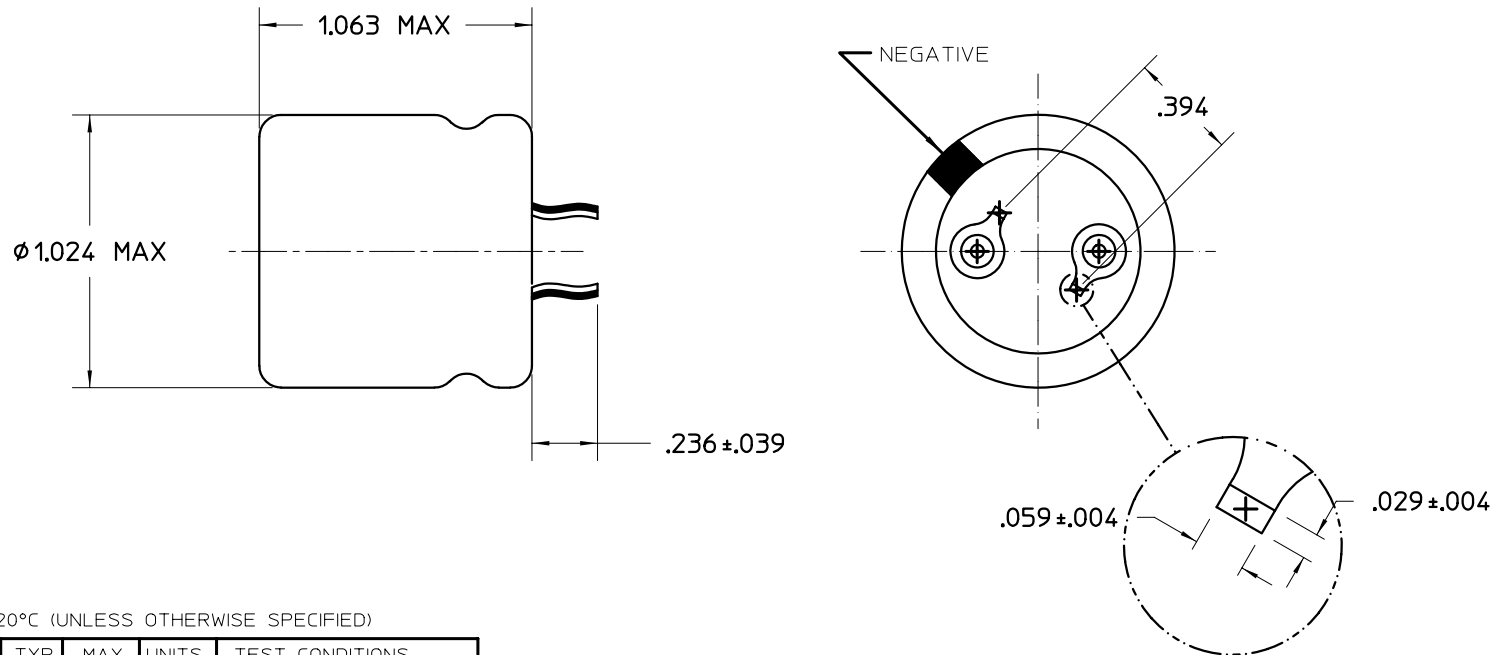


VICOR CONFIDENTIAL

THIS DOCUMENT AND THE DATA DISCLOSED HEREIN OR HEREWITH IS NOT TO BE REPRODUCED, USED, OR DISCLOSED IN WHOLE OR IN PART TO ANYONE WITHOUT PERMISSION OF VICOR CORP.

REV.	DESCRIPTION	DATE	APPROVED
1	DRAWN 5/10/93 HHC		
01	REVISED & RELEASED E930638 JFW	8/24/93	JJG
02	REVISED & REDRAWN E940399 RCM		



ELECTRICAL CHARACTERISTICS @ T=20°C (UNLESS OTHERWISE SPECIFIED)

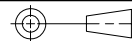
PARAMETER	SYMBOL	MIN	TYP	MAX	UNITS	TEST CONDITIONS
CAPACITANCE	C	216	270	324	µF	@ 120 Hz, 20°C
LEAKAGE CURRENT	I _{DCL}			1080	µA	@ 20°C, 5 MINUTES @ RATED VOLTAGE
						@ 20°C, 5 MINUTES
EQUIVALENT SERIES RESISTANCE	ESR			.614	Ω	@ 120 Hz, 20°C
WORKING VOLTAGE	V _{DCW}				V	
OPERATING TEMPERATURE	T	-40°C - +85°C			°C	

MARKING:
MFG. ID/PF CODE

UNLESS OTHERWISE SPECIFIED DIMENSIONS ARE IN INCHES TOLERANCES ARE:

FRACTIONS DECIMALS ANGLES
± 1/64 .XX ± .01 ± 1°
.XXX ± .005

THIRD ANGLE PROJECTION



DO NOT SCALE DRAWING

APPROVALS	DATE
DRAWN: H. CLINE	5/10/93
CHECKED:	
ISSUED	
APPD	



**CAPACITOR, 270µf ±20%
200V**

SIZE	FSCM NO.	DWG. NO.	REV.
B	67131	08376	02
SCALE: NONE		SHEET 1 OF 1	