

OPA741 Series

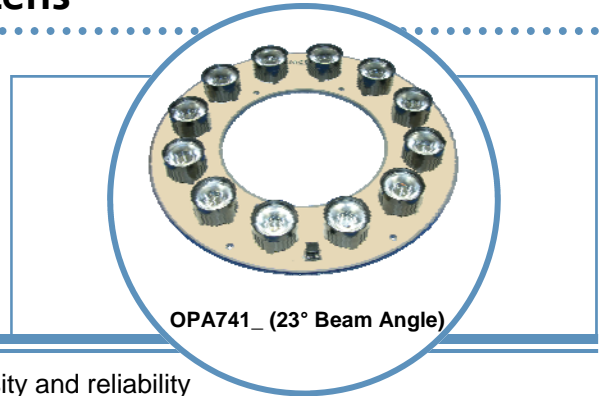
12 Watt Light Ring on

Another Linear Heat Spreader with Lens



OPA741 Series

- 12, 1 watt LEDs per cylindrical substrate
- Mono-color per strip (Blue, Green, Red, Yellow, White)
- Component beam angle 23°
- Universal connector (Tyco 2-292173-2 mates with 173977-2)
- RoHS Compliant

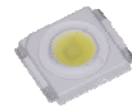
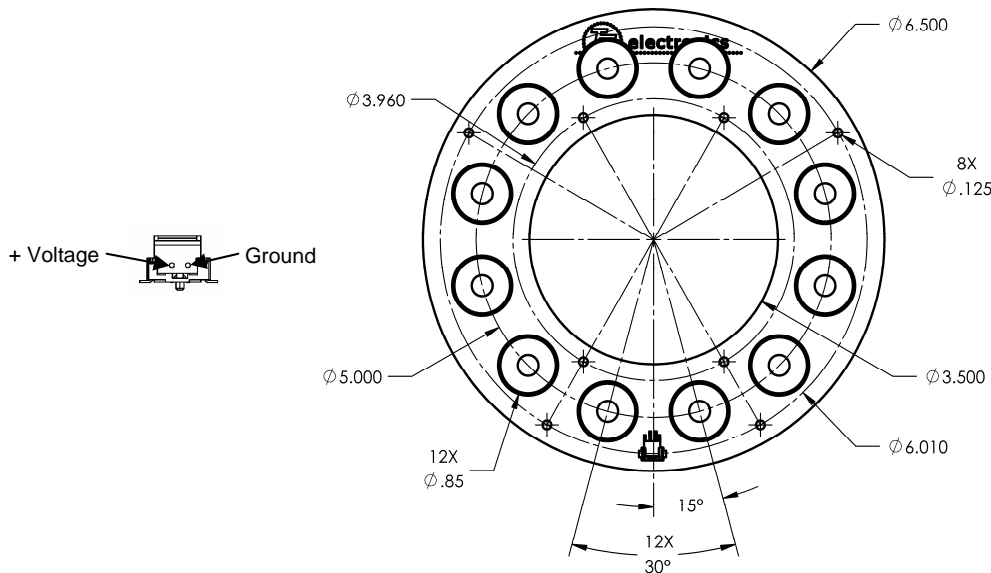


The **OPA741** Series are designed for areas where lighting intensity and reliability are essential. The light beam angle of 23° is ideal for illuminating areas close or a long distances from the device while requiring minimal space. A patented substrate is used to ensure the best heat dissipation of any light assembly in the industry.

For custom colors and design contact your OPTEK representative.

Electrical / Optical Characteristics: $T_A=25^\circ\text{C}$, $I_F=700\text{mA}$

Part Number	Typical Forward Voltage (V)	Luminous Flux (lm)	Beam Angle	Color	Dominant Wavelength
OPA741Y23	15.0	357	23°	Yellow	587 nm
OPA741B23	21.6	92		Blue	470 nm
OPA741G23	21.6	490		Green	530 nm
OPA741R23	15.0	265		Red	625 nm
OPA741W23	21.6	490		White	6,500°K



OPA741_

See OVSP_BCR4 for component specifications



DO NOT LOOK DIRECTLY AT LED WITH UNSHIELDED EYES OR DAMAGE TO RETINA MAY OCCUR.

OPTEK reserves the right to make changes at any time in order to improve design and to supply the best product possible.