

E-Series RF 4:1 Transformer

8.0 - 750 MHz

ETK4-1T

V3.00

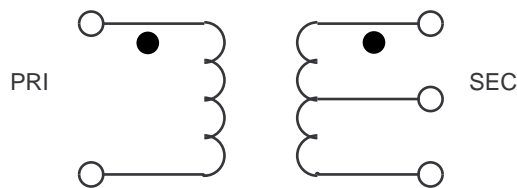
Features

- Surface Mount
- 4:1 Impedance Ratio
- CT on Secondary

Description

M/A-COM's ETK4-1T is a 4:1 RF transformer in a low-cost, surface mount package. Ideally suited for high volume cellular and wireless applications. Typical applications include single to balanced mode conversion and impedance matching.

Schematic



Specifications @ 25°C

Frequency Range: 8.0 - 750 MHz

Parameter	Maximum	Mean (x)	Sigma (σ)
Insertion Loss ($f_L - f_U$)	70 - 250 MHz	2.0 dB	1.56 dB
	15 - 600 MHz	3.0 dB	—
	8.0 - 750 MHz	4.0 dB	—
Amplitude Unbalance			
8.0 - 750 MHz	1.0 dB	—	—
Phase Unbalance			
8.0 - 750 MHz	20°	—	—

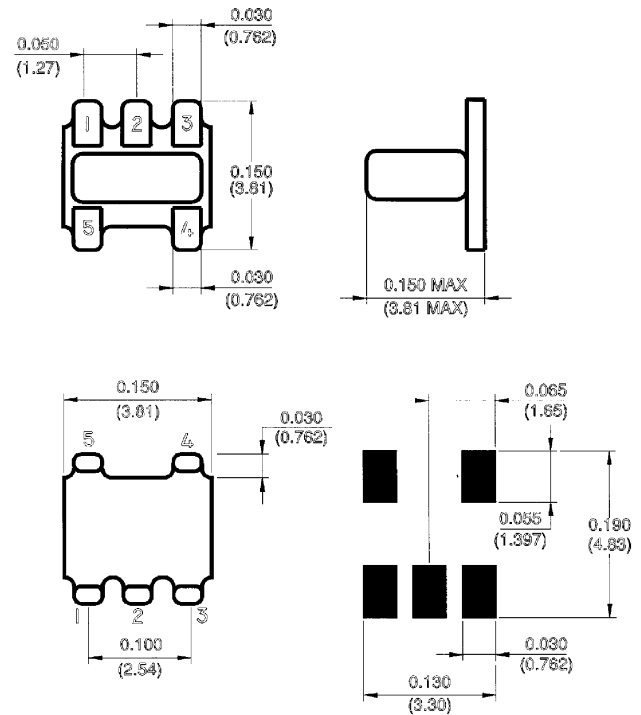
Note: Mean and sigma calculated from average loss @ $(f_U - f_L)/2 + f_L$.

Ordering Information

Part No.
ETK4-1T
ETK4-1TTR

Packaging
Tubes
Tape & Reel

SM-22



Pin Configuration

Pin No.	Function
1	Secondary dot
2	Secondary CT
3	Secondary
4	Primary
5	Primary dot

S 0934 D

Specifications Subject to Change Without Notice.

M/A-COM, Inc.

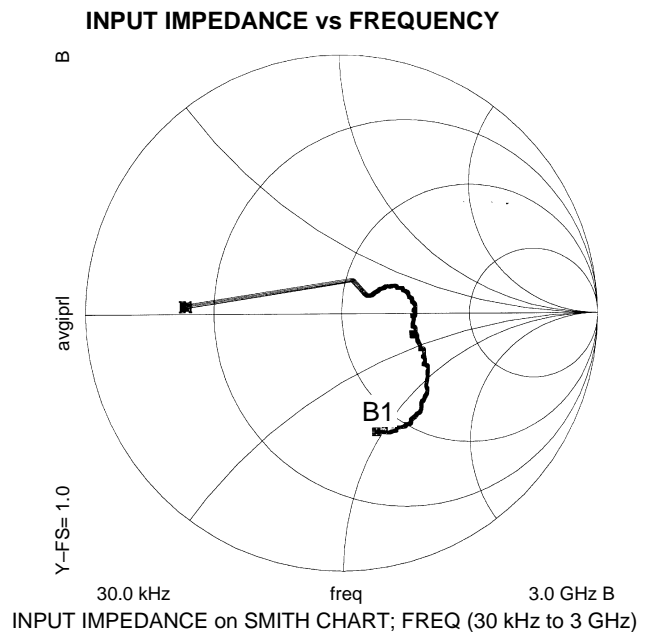
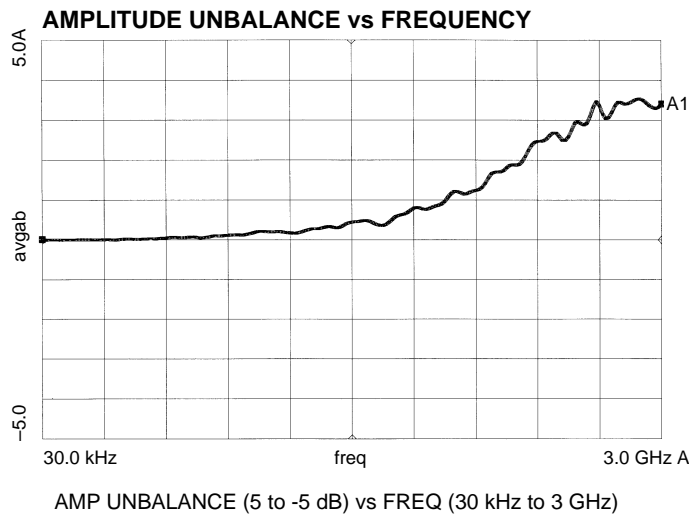
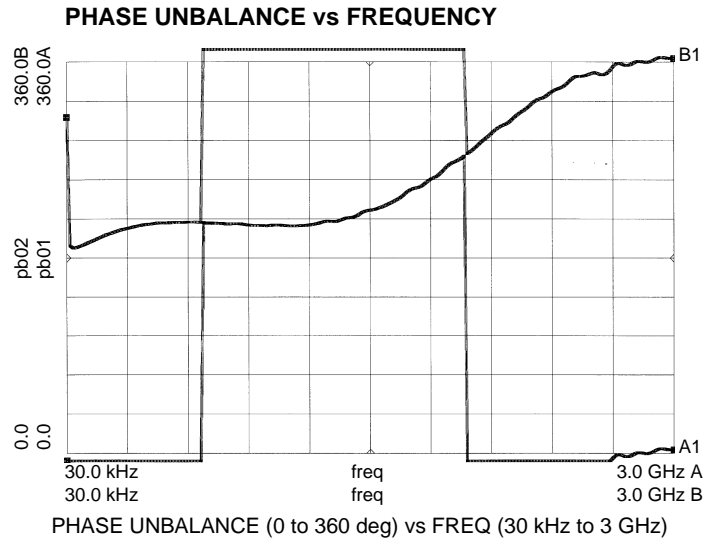
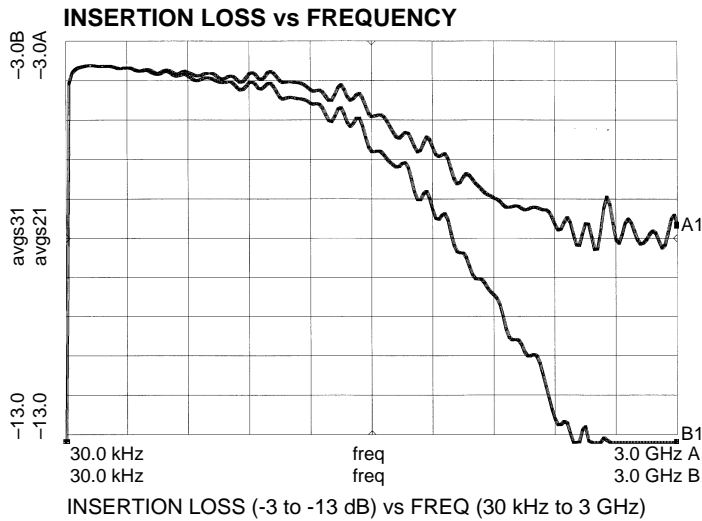
North America: Tel. (800) 366-2266 ■ Asia/Pacific: Tel. +81 (03) 3226-1671 ■ Europe: Tel. +44 (1344) 869 595
Fax (800) 618-8883 Fax +81 (03) 3226-1451 Fax +44 (1344) 300 020

Absolute Maximum Ratings

Parameter	Absolute Maximum
RF Power	250 mW
DC Current	30 mA
Operating/Storage Temp.	-30°C to +85°C

Typical Performance

Over Extended Bandwidth (30 kHz - 3.0 GHz)



Note: All measurements performed on Hewlett Packard 8753D Network Analyzer (201 sample points, linear scale) in a 50 ohm coplanar waveguide environment. Tables created using MDS software.

S-Parameter data available by E-Mail. Send your request to: eurotec@corp.macom.com.

Specifications Subject to Change Without Notice.