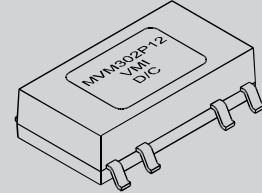
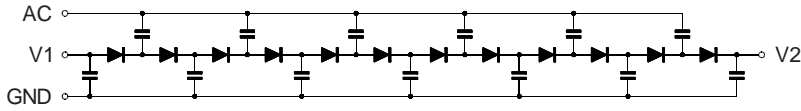


3000 V Miniature Hybrid Multiplier

0.0 μ A - 50.0 μ A Output Current
12 Stages

MVM302P12



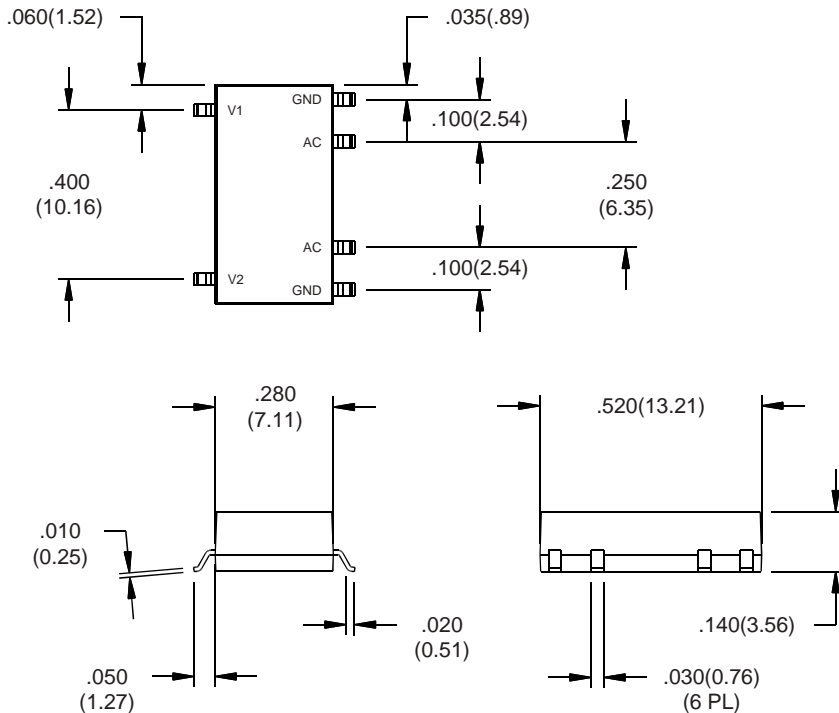
ELECTRICAL CHARACTERISTICS AND MAXIMUM RATINGS

Part Number	Maximum A.C. Input Voltage	Maximum D.C. Output Voltage	Maximum D.C. Output Voltage (Two Multipliers in Series)	Typical Output Current Range (1)	Typical Frequency	Number of Stages
	V_{PP}	V_{DC}	V_{DC}	μ A	kHz	
MVM302P12	600	3000	6000	0.0 - 50.0	10 - 100	12

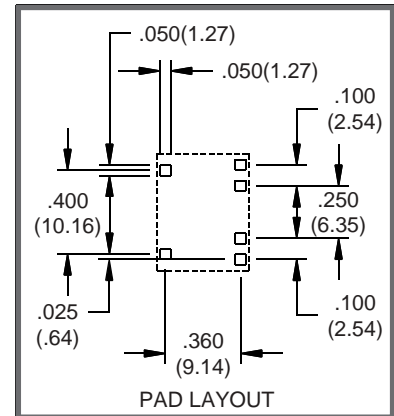
Operating Temp: -55°C to +150°C

Storage Temp: -65°C to +150°C

(1) Refer to load lines on next page.



Plating:
50 μ in silver over 50 μ in nickel.



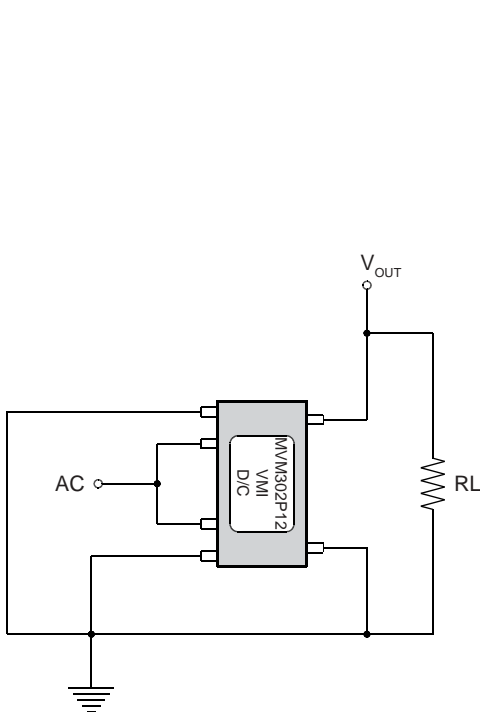
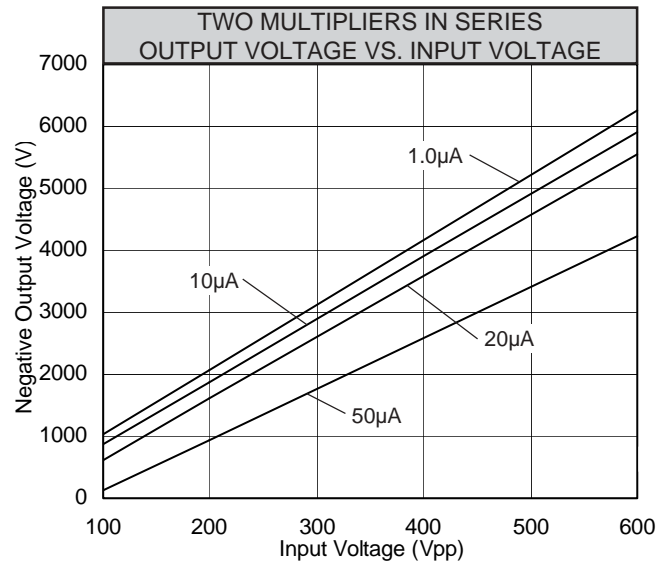
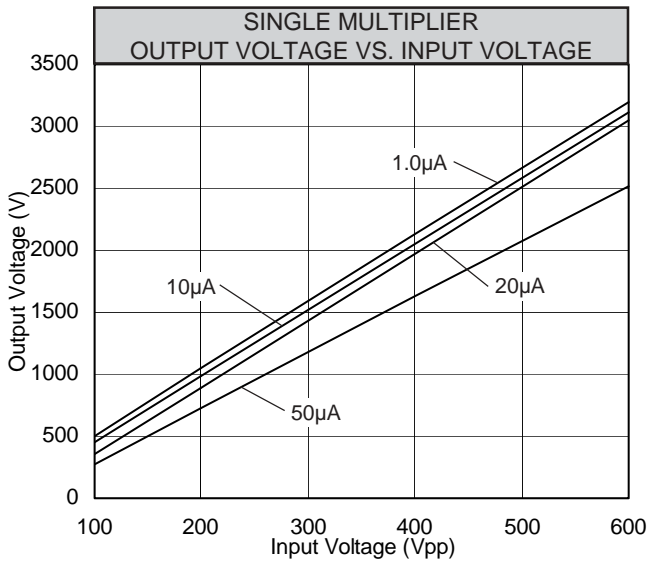
Dimensions: In. (mm) • All temperatures are ambient unless otherwise noted. • Data subject to change without notice.



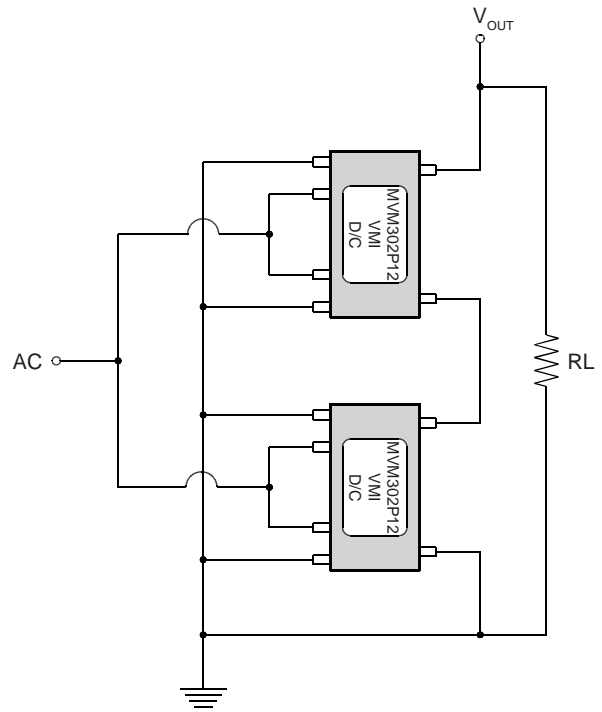
VOLTAGE MULTIPLIERS INC.
8711 W. Roosevelt Ave.
Visalia, CA 93291

TEL 559-651-1402
FAX 559-651-0740
www.voltagemultipliers.com

MVM302P12



Typical Single Multiplier Circuit



Typical Circuit Showing Two Multipliers in Series