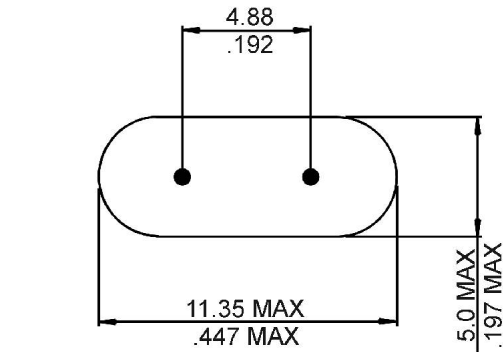
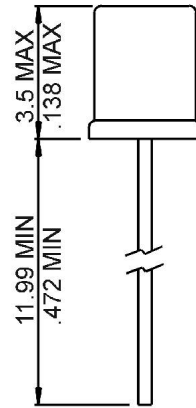
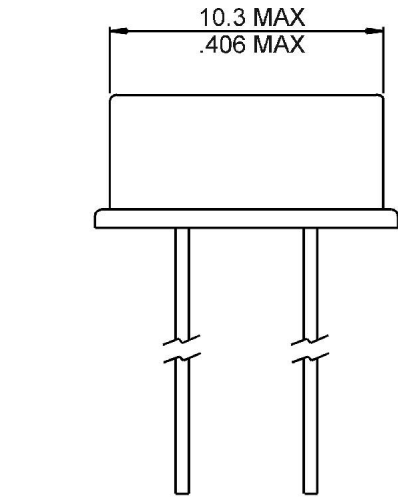


| REVISIONS | | | |
|-----------|-----------------|---------|----------|
| LTR | | DATE | APPROVED |
| A | INITIAL RELEASE | 4/30/03 | |
| | | | |



SPECIFICATIONS:

| | |
|---|-------------------------|
| NOMINAL FREQUENCY: | 3.8912 MHz |
| MODE OF OSCILLATION: | FUNDAMENTAL |
| FREQUENCY TOLERANCE AT 25°C: | ±30 PPM MAX |
| FREQUENCY STABILITY OVER TEMPERATURE RANGE: | ±50 PPM MAX |
| OPERATING TEMPERATURE RANGE: | -20°C TO +70°C |
| STORAGE TEMPERATURE RANGE: | -55°C TO +125°C |
| AGING: | ±5 PPM PER YEAR MAX |
| LOAD CAPACITANCE: | 20 pF |
| DRIVE LEVEL: | 100 μW TYP, 1000 μW MAX |
| SHUNT CAPACITANCE: | 7 pF MAX |
| EQUIVALENT SERIES RESISTANCE: | 200 OHMS MAX |
| HOLDER TYPE: | HC-49/S AS SHOWN |

RALTRON

10651 NW 19TH STREET
MIAMI, FL 33172

ALL DIMENSIONS ARE IN mm/inch
UNLESS OTHERWISE SPECIFIED

DRAWN BY: Part Generator

CHECKED BY:

APPROVED BY:

SCALE: SHEET 1 OF DATE:

CAGE CODE:



DRAWING TITLE:

**LOW PROFILE MICROPROCESSOR
CRYSTAL**

DRAWING NUMBER:

AS-3.8912-20