

MP49 Crystal

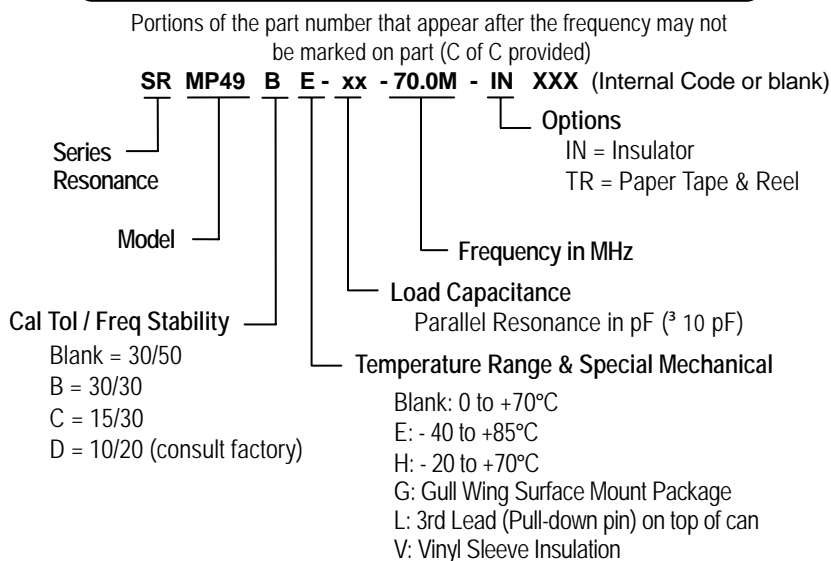
- HC-49U Metal Thru-Hole Crystal
- Available as Gull Wing SMD or with Pull-Down Pin on Top of Can

1.8432 MHz – 210.00 MHz

Standard Specifications

Calibration Frequency Tolerance at 25°C	± 30 PPM is standard, tighter tolerances available		
Operating Temperature Range (OTR)	0 to +70°C is standard, but can be extended to -40 to +85°C		
Frequency Stability (FS) over OTR	± 50 PPM is standard, see below for tighter tolerances available per OTR options		
Drive Level	50 µW is standard, customer may specify		
Aging at 25°C	± 5 PPM per year is standard, customer may specify ± 1 PPM		
Shunt Capacitance	7 pF maximum	Temperature Range	Tightest FS
Pullability		-10 to +60°C	± 3 PPM
May be specified by customer in terms of frequency shift required over a certain range of load capacitance (e.g. +100 PPM from CL=12 to CL=18 pF) or as motional capacitance (f F)		-20 to +70°C	± 5 PPM
		-30 to +80°C	± 10 PPM
		-40 to +85°C	± 20 PPM

Part Numbering Guide



ESR Values

Oscillation Mode	Frequency Range (MHz)	Maximum ESR (Ohms)
Fundamental	1.8432 – 2.999	700
AT Cut	3.000 – 3.999	150
	4.000 – 6.999	100
	7.000 – 9.999	50
	10.000 – 37.000	25
3rd Overtone	21.000 – 90.000	40
AT Cut		
5th Overtone	60.000 – 150.000	70
7th Overtone	85.000 – 210.000	100

Consult factory for lower ESR

Consult factory for available frequencies and specs. Not all options available for all frequencies. A special part number may be assigned.

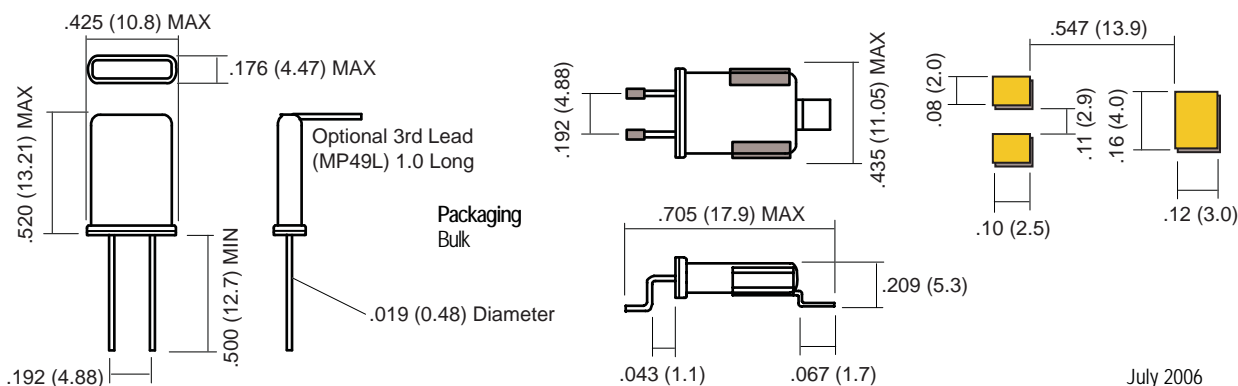
Mechanical: inches (mm)

not to scale

Gull Wing - MP49G

Solder Pads

Due to part size and factory abilities, part marking may vary from lot to lot and may contain our part number or an internal code.



July 2006