

# CMOS single-chip 3.0V 8-bit microcontrollers

# 87L51FA/87L51FB

## DESCRIPTION

The 87L51FA and 87L51FB Single-Chip 3.0V 8-Bit Microcontrollers are manufactured in an advanced CMOS process and are derivatives of the 80C51 microcontroller family. The 87L51FA/B has the same instruction set as the 80C51.

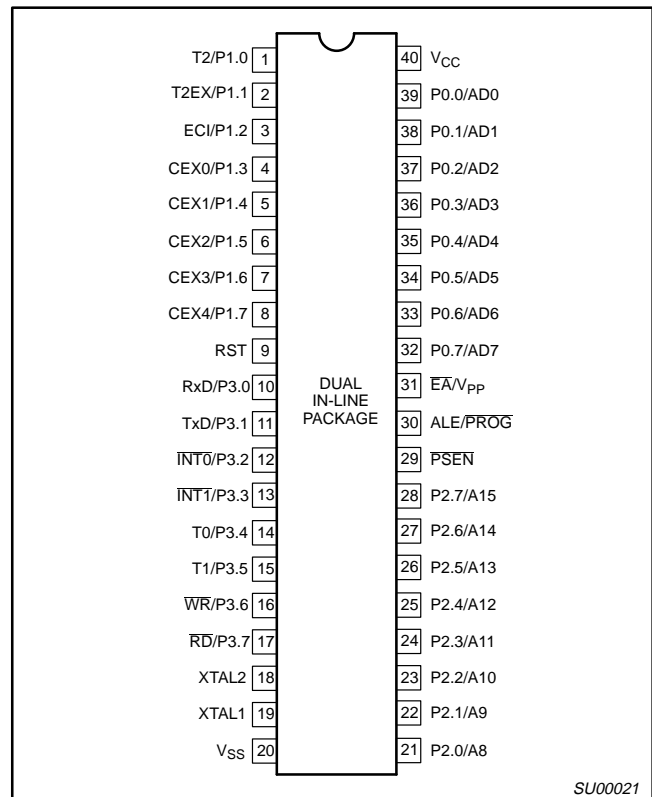
This device provides architectural enhancements that make it applicable in a variety of applications for general control systems. The 87L51FA contains  $8k \times 8$  memory and the 87L51FB contains  $16K \times 8$  memory, a volatile  $256 \times 8$  read/write data memory, four 8-bit I/O ports, three 16-bit timer/event counters, a Programmable Counter Array (PCA), a multi-source, two-priority-level, nested interrupt structure, an enhanced UART and on-chip oscillator and timing circuits. For systems that require extra capability, the 87L51FA/B can be expanded using standard 3.3V TTL compatible memories and logic.

Its added features make it an even more powerful microcontroller for applications that require pulse width modulation, high-speed I/O and up/down counting capabilities such as motor control. It also has a more versatile serial channel that facilitates multiprocessor communications.

## FEATURES

- 80C51 central processing unit
- 3.0 to 4.5V  $V_{CC}$  range
- $8k \times 8$  EPROM (87L51FA)  
 $16k \times 8$  EPROM (87L51FB)
  - Expandable externally to 64k bytes
  - Quick Pulse programming algorithm
  - Two level program security system
- $256 \times 8$  RAM, expandable externally to 64k bytes
- Three 16-bit timer/counters
  - T2 is an up/down counter
- Programmable Counter Array (PCA)
  - High speed output
  - Capture/compare
  - Pulse Width Modulator
  - Watchdog Timer
- Four 8-bit I/O ports
- Full-duplex enhanced UART
  - Framing error detection
  - Automatic address recognition
- Power control modes
  - Idle mode
  - Power-down mode
- Once (On Circuit Emulation) Mode
- Five package styles
- OTP package available

## PIN CONFIGURATIONS



## CMOS single-chip 3.0V 8-bit microcontrollers

## 87L51FA/87L51FB

## ORDERING INFORMATION

8k × 8 ROM <sup>1</sup>	6k × 8 ROM <sup>1</sup>	8k × 8 EPROM <sup>2</sup>	16k × 8 EPROM <sup>2</sup>		TEMPERATURE RANGE °C AND PACKAGE	FREQ. (MHz)	DWG. #
S83L51FA-4N40	S83L51FB-4N40	S87L51FA-4N40	S87L51FB-4N40	OTP	0 to +70, 40-Pin Plastic Dual In-line Package	3.5 to 16	SOT129-1
		S87L51FA-4F40	S87L51FB-4F40	UV	0 to +70, 40-Pin Ceramic Dual In-line Package w/Window	3.5 to 16	0590B
S83L51FA-4A44	S83L51FB-4A44	S87L51FA-4A44	S87L51FB-4A44	OTP	0 to +70, 44-Pin Plastic Leaded Chip Carrier	3.5 to 16	SOT187-2
		S87L51FA-4K44	S87L51FB-4K44	UV	0 to +70, 44-Pin Ceramic Leaded Chip Carrier w/Window	3.5 to 16	1472A
S83L51FA-4B44	S83L51FB-4B44	S87L51FA-4B44	S87L51FB-4B44	OTP	0 to +70, 44-Pin Plastic Quad Flat Pack	3.5 to 16	SOT307-2
S83L51FA-5N40	S83L51FB-5N40	S87L51FA-5N40	S87L51FB-5N40	OTP	-40 to +85, 40-Pin Plastic Dual In-line Package	3.5 to 16	SOT129-1
		S87L51FA-5F40	S87L51FB-5F40	UV	-40 to +85, 40-Pin Ceramic Dual In-line Package w/Window	3.5 to 16	0590B
S87L51FA-5A44	S87L51FB-5A44	S87L51FA-5A44	S87L51FB-5A44	OTP	-40 to +85, 44-Pin Plastic Leaded Chip Carrier	3.5 to 16	SOT187-2
S83L51FA-5B44	S83L51FB-5B44	S87L51FA-5B44	S87L51FB-5B44	OTP	-40 to +85, 44-Pin Plastic Quad Flat Pack	3.5 to 16	SOT307-2
S83L51FA-7N40	S83L51FB-7N40	S87L51FA-7N40	S87L51FB-7N40	OTP	0 to +70, 40-Pin Plastic Dual In-line Package	3.5 to 20	SOT129-1
		S87L51FA-7F40	S87L51FB-7F40	UV	0 to +70, 40-Pin Ceramic Dual In-line Package w/Window	3.5 to 20	0590B
S83L51FA-7A44	S83L51FB-7A44	S87L51FA-7A44	S87L51FB-7A44	OTP	0 to +70, 44-Pin Plastic Leaded Chip Carrier	3.5 to 20	SOT187-2
		S87L51FA-7K44	S87L51FB-7K44	UV	0 to +70, 44-Pin Ceramic Leaded Chip Carrier w/Window	3.5 to 20	1472A
S83L51FA-8N40	S83L51FB-8N40	S87L51FA-8N40	S87L51FB-8N40	OTP	-40 to +85, 40-Pin Plastic Dual In-line Package	3.5 to 20	SOT129-1
		S87L51FA-8F40	S87L51FB-8F40	UV	-40 to +85, 40-Pin Ceramic Dual In-line Package w/Window	3.5 to 20	0590B
S83L51FA-8A44	S83L51FB-8A44	S87L51FA-8A44	S87L51FB-8A44	OTP	-40 to +85, 44-Pin Plastic Leaded Chip Carrier	3.5 to 20	SOT187-2

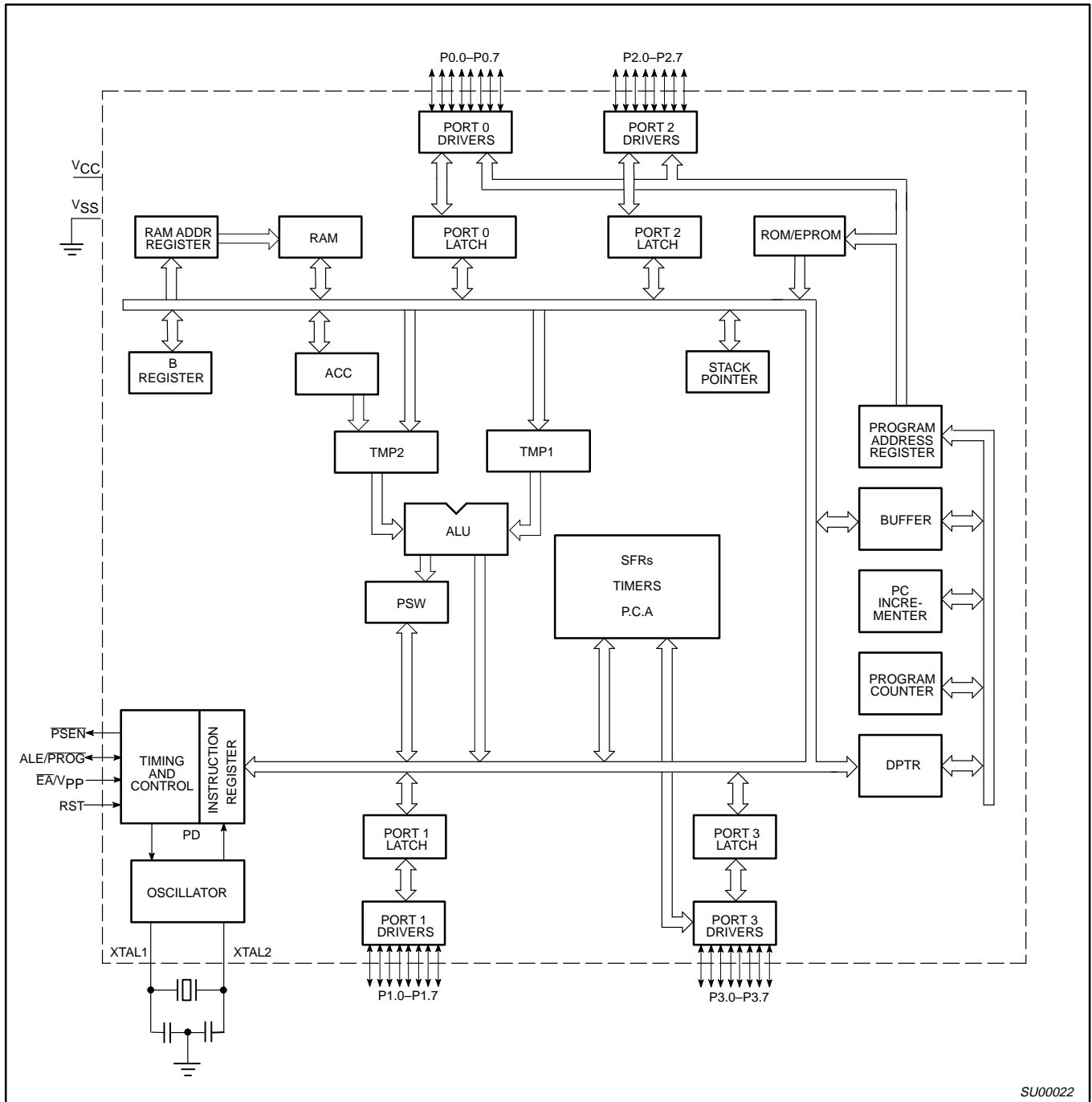
## NOTES:

- Contact Philips for information on low voltage Mask-ROM versions.  
The 83C51FA and 83C51FB are specified for 2.7V–5.5V operation @ 16MHz.
- OTP = One Time Programmable EPROM. UV = Erasable EPROM.

CMOS single-chip 3.0V 8-bit microcontrollers

87L51FA/87L51FB

**BLOCK DIAGRAM**

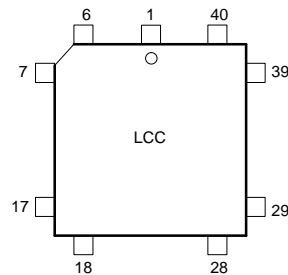


SU00022

# CMOS single-chip 3.0V 8-bit microcontrollers

# 87L51FA/87L51FB

## CERAMIC AND PLASTIC LEADED CHIP CARRIER PIN FUNCTIONS

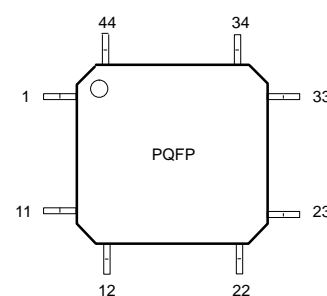


Pin	Function	Pin	Function	Pin	Function
1	NC*	16	P3.4/T0	31	P2.7/A15
2	P1.0/T2	17	P3.5/T1	32	PSEN
3	P1.1/T2EX	18	P3.6/WR	33	ALE/PROG
4	P1.2/ECI	19	P3.7/RD	34	NC*
5	P1.3/CEX0	20	XTAL2	35	EA/VPP
6	P1.4/CEX1	21	XTAL1	36	P0.7/AD7
7	P1.5/CEX2	22	VSS	37	P0.6/AD6
8	P1.6/CEX3	23	NC*	38	P0.5/AD5
9	P1.7/CEX4	24	P2.0/A8	39	P0.4/AD4
10	RST	25	P2.1/A9	40	P0.3/AD3
11	P3.0/RxD	26	P2.2/A10	41	P0.2/AD2
12	NC*	27	P2.3/A11	42	P0.1/AD1
13	P3.1/TxD	28	P2.4/A12	43	P0.0/AD0
14	P3.2/INT0	29	P2.5/A13	44	VCC
15	P3.3/INT1	30	P2.6/A14		

\* DO NOT CONNECT

SU00023

## PLASTIC QUAD FLAT PACK PIN FUNCTIONS



Pin	Function	Pin	Function	Pin	Function
1	P1.5/CEX2	16	VSS	31	P0.6/AD6
2	P1.6/CEX3	17	NC*	32	P0.5/AD5
3	P1.7/CEX4	18	P2.0/A8	33	P0.4/AD4
4	RST	19	P2.1/A9	34	P0.3/AD3
5	P3.0/RxD	20	P2.2/A10	35	P0.2/AD2
6	NC*	21	P2.3/A11	36	P0.1/AD1
7	P3.1/TxD	22	P2.4/A12	37	P0.0/AD0
8	P3.2/INT0	23	P2.5/A13	38	VCC
9	P3.3/INT1	24	P2.6/A14	39	NC*
10	P3.4/T0	25	P2.7/A15	40	P1.0/T2
11	P3.5/T1	26	PSEN	41	P1.1/T2EX
12	P3.6/WR	27	ALE/PROG	42	P1.2/ECI
13	P3.7/RD	28	NC*	43	P1.3/CEX0
14	XTAL2	29	EA/VPP	44	P1.4/CEX1
15	XTAL1	30	P0.7/AD7		

\* DO NOT CONNECT

SU00024

## PIN DESCRIPTIONS

MNEMONIC	PIN NUMBER			TYPE	NAME AND FUNCTION
	DIP	LCC	QFP		
VSS	20	22	16	I	<b>Ground:</b> 0V reference.
VCC	40	44	38	I	<b>Power Supply:</b> This is the power supply voltage for normal, idle, and power-down operation.
P0.0–0.7	39–32	43–36	37–30	I/O	<b>Port 0:</b> Port 0 is an open-drain, bidirectional I/O port. Port 0 pins that have 1s written to them float and can be used as high-impedance inputs. Port 0 is also the multiplexed low-order address and data bus during accesses to external program and data memory. In this application, it uses strong internal pull-ups when emitting 1s. Port 0 also outputs the code bytes during program verification and receives code bytes during EPROM programming. External pull-ups are required during program verification.
P1.0–P1.7	1–8	2–9	40–44, 1–3	I/O	<b>Port 1:</b> Port 1 is an 8-bit bidirectional I/O port with internal pull-ups. Port 1 pins that have 1s written to them are pulled high by the internal pull-ups and can be used as inputs. As inputs, port 1 pins that are externally pulled low will source current because of the internal pull-ups. (See DC Electrical Characteristics: I <sub>IL</sub> ). Port 1 also receives the low-order address byte during program memory verification. Alternate functions include: <b>T2 (P1.0):</b> Timer/Counter 2 external count input/Clockout <b>T2EX (P1.1):</b> Timer/Counter 2 Reload/Capture/Direction Control <b>ECI (P1.2):</b> External Clock Input to the PCA <b>CEX0 (P1.3):</b> Capture/Compare External I/O for PCA module 0 <b>CEX1 (P1.4):</b> Capture/Compare External I/O for PCA module 1 <b>CEX2 (P1.5):</b> Capture/Compare External I/O for PCA module 2 <b>CEX3 (P1.6):</b> Capture/Compare External I/O for PCA module 3 <b>CEX4 (P1.7):</b> Capture/Compare External I/O for PCA module 4
			1	I	
			2	I	
			3	I	
			4	I/O	
			5	I/O	
			6	I/O	
			7	I/O	
8	I/O				
P2.0–P2.7	21–28	24–31	18–25	I/O	<b>Port 2:</b> Port 2 is an 8-bit bidirectional I/O port with internal pull-ups. Port 2 pins that have 1s written to them are pulled high by the internal pull-ups and can be used as inputs. As inputs, port 2 pins that are externally being pulled low will source current because of the internal pull-ups. (See DC Electrical Characteristics: I <sub>IL</sub> ). Port 2 emits the high-order address byte during fetches from external program memory and during accesses to external data memory that use 16-bit addresses (MOVX @DPTR). In this application, it uses strong internal pull-ups when emitting 1s. During accesses to external data memory that use 8-bit addresses (MOV @Ri), port 2 emits the contents of the P2 special function register. Some Port 2 pins receive the high order address bits during EPROM programming and verification.

# CMOS single-chip 3.0V 8-bit microcontrollers

# 87L51FA/87L51FB

## PIN DESCRIPTIONS (Continued)

MNEMONIC	PIN NUMBER			TYPE	NAME AND FUNCTION
	DIP	LCC	QFP		
P3.0–P3.7	10–17	11, 13–19	5, 7–13	I/O	<b>Port 3:</b> Port 3 is an 8-bit bidirectional I/O port with internal pull-ups. Port 3 pins that have 1s written to them are pulled high by the internal pull-ups and can be used as inputs. As inputs, port 3 pins that are externally being pulled low will source current because of the pull-ups. (See DC Electrical Characteristics: $I_{IL}$ ). Port 3 also serves the special features of the 80C51 family, as listed below: <b>RxD (P3.0):</b> Serial input port <b>TxD (P3.1):</b> Serial output port <b>INT0 (P3.2):</b> External interrupt <b>INT1 (P3.3):</b> External interrupt <b>T0 (P3.4):</b> Timer 0 external input <b>T1 (P3.5):</b> Timer 1 external input <b>WR (P3.6):</b> External data memory write strobe <b>RD (P3.7):</b> External data memory read strobe
RST	9	10	4	I	<b>Reset:</b> A high on this pin for two machine cycles while the oscillator is running, resets the device. An internal diffused resistor to $V_{SS}$ permits a power-on reset using only an external capacitor to $V_{CC}$ .
ALE/PROG	30	33	27	I/O	<b>Address Latch Enable/Program Pulse:</b> Output pulse for latching the low byte of the address during an access to external memory. In normal operation, ALE is emitted at a constant rate of 1/6 the oscillator frequency, and can be used for external timing or clocking. Note that one ALE pulse is skipped during each access to external data memory. This pin is also the program pulse input (PROG) during EPROM programming.
PSEN	29	32	26	O	<b>Program Store Enable:</b> The read strobe to external program memory. When the 87L51FA/FB is executing code from the external program memory, PSEN is activated twice each machine cycle, except that two PSEN activations are skipped during each access to external data memory. PSEN is not activated during fetches from internal program memory.
EA/VPP	31	35	29	I	<b>External Access Enable/Programming Supply Voltage:</b> EA must be externally held low to enable the device to fetch code from external program memory locations 0000H and 1FFFH. If EA is held high, the device executes from internal program memory unless the program counter contains an address greater than 1FFFH. This pin also receives the 12.75V programming supply voltage ( $V_{PP}$ ) during EPROM programming. If security bit 1 is programmed, EA will be internally latched on Reset.
XTAL1	19	21	15	I	<b>Crystal 1:</b> Input to the inverting oscillator amplifier and input to the internal clock generator circuits.
XTAL2	18	20	14	O	<b>Crystal 2:</b> Output from the inverting oscillator amplifier.

**NOTE:**

To avoid "latch-up" effect at power-on, the voltage on any pin at any time must not be higher than  $V_{CC} + 0.5V$  or  $V_{SS} - 0.5V$ , respectively.

### TIMER 2

This is a 16-bit up or down counter, which can be operated as either a timer or event counter. It can be operated in one of three different modes (autoreload, capture or as the baud rate generator for the UART).

In the autoreload mode the Timer can be set to count up or down by setting or clearing the bit DCEN in the T2CON Special Function Register. The SFR's RCAP2H and RCAP2L are used to reload the Timer upon overflow or a 1-to-0 transition on the T2EX input (P1.1).

In the Capture mode Timer 2 can either set TF2 and generate an interrupt or capture its value. To capture Timer 2 in response to a 1-to-0 transition on the T2EX input, the EXEN2 bit in the T2CON must be set. Timer 2 is then captured in SFR's RCAP2H and RCAP2L.

As the baud rate generator, Timer 2 is selected by setting TCLK and/or RCLK in T2CON. As the baud rate generator Timer 2 is incremented at  $1/2$  the oscillator frequency.

### ENHANCED UART

The 87L51FA/FB UART has all of the capabilities of the standard 80C51 UART plus Framing Error Detection and Automatic Address Recognition. As in the 80C51, all four modes of operation are supported as well as the 9th bit in modes 2 and 3 that can be used to facilitate multiprocessor communication.

The Framing Error Detection allows the UART to look for missing stop bits. If a Stop bit is missing, the FE bit in the SCON SFR is set. The FE bit can be checked after each transmission to detect communication errors. The FE bit can only be cleared by software and is not affected by a valid stop bit.

Automatic Address Recognition is used to reduce the CPU service time for the serial port. The CPU only needs to service the UART when it is addressed and, with this done by the on-chip circuitry, the need for software overhead is greatly reduced. This mode works similar to the 9-bit communication mode, except that it uses only 8 bits and the Stop bit is used to cause the RI bit to be set. There are two SFRs associated with this mode. They are SADDR, which holds the slave address and SADEN, which contains a mask that allows selective masking of the slave address so that broadcast addresses can be used.

# CMOS single-chip 3.0V 8-bit microcontrollers

# 87L51FA/87L51FB

## PROGRAMMABLE COUNTER ARRAY

The PCA is a sophisticated free-running 16 bit Timer/Counter that drives 5 modules that can be individually configured as Capture inputs, software timers, high speed outputs, or pulse width modulated outputs. In addition, module 4 can be configured as a software controlled watchdog timer.

The Timer portion of the PCA can be configured to run in one of four different modes. The modes are:  $\frac{1}{2}$  the oscillator frequency,  $\frac{1}{4}$  the oscillator frequency, Timer 0 overflows, or from the ECI input.

For the Capture/Compare mode each of the modules has a pair of registers associated with it called CCAPnH and CCAPnL (where  $n = 0, 1, 2, 3, 4$  depending on the module). Both positive and negative transitions can be captured. This means that the PCA has the flexibility to measure phase differences, duty cycles, pulse widths and a wide variety of other digital pulse characteristics.

In the 16-bit software timer mode each of the modules can generate an interrupt upon a compare.

For applications that require accurate pulse widths and edges the PCA modules can be used as High Speed Outputs (HSO). The PCA toggles the appropriate CEXn pin when there is a match between the PCA timer and the modules compare registers.

The pulse width modulator mode for the PCA allows the conversion of digital information into analog signals. Each of the 5 modules can be used in this mode. The frequency of the PWM depends on the clock source for the PCA. The 8-bit PWM output is generated by comparing the low byte of the PCA (CL) with the module's CCAPnL SFR. When  $CL < CCAPnL$ , the output is high. When  $CL > CCAPnL$ , the output is low.

## POWER OFF FLAG

The Power Off Flag (POF) is set by on-chip circuitry when the  $V_{CC}$  level on the 87L51FA/FB rises from 0 to 3.3V. The POF bit can be set or cleared by software allowing a user to determine if the reset is the result of a power-on or a warm start after powerdown. The  $V_{CC}$  level must remain above 2.0V for the POF to remain unaffected by the  $V_{CC}$  level.

## OSCILLATOR CHARACTERISTICS

XTAL1 and XTAL2 are the input and output, respectively, of an inverting amplifier. The pins can be configured for use as an on-chip oscillator.

To drive the device from an external clock source, XTAL1 should be driven while XTAL2 is left unconnected. There are no requirements on the duty cycle of the external clock signal, because the input to the internal clock circuitry is through a divide-by-two flip-flop. However, minimum and maximum high and low times specified in the data sheet must be observed.

## Reset

A reset is accomplished by holding the RST pin high for at least two machine cycles (24 oscillator periods), while the oscillator is running. To insure a good power-on reset, the RST pin must be high long enough to allow the oscillator time to start up (normally a few milliseconds) plus two machine cycles. At power-on, the voltage on  $V_{CC}$  and RST must come up at the same time for a proper start-up.

## Idle Mode

In the idle mode, the CPU puts itself to sleep while all of the on-chip peripherals stay active. The instruction to invoke the idle mode is the last instruction executed in the normal operating mode before the idle mode is activated. The CPU contents, the on-chip RAM, and all of the special function registers remain intact during this mode. The idle mode can be terminated either by any enabled interrupt (at which time the process is picked up at the interrupt service routine and continued), or by a hardware reset which starts the processor in the same manner as a power-on reset.

## Power-Down Mode

To save even more power, a Power Down mode can be invoked by software. In this mode, the oscillator is stopped and the instruction that invoked Power Down is the last instruction executed. The on-chip RAM and Special Function Registers retain their values until the Power Down mode is terminated.

On the 87L51FA/FB either a hardware reset or external interrupt can use an exit from Power Down. Reset redefines all the SFRs but does not change the on-chip RAM. An external interrupt allows both the SFRs and the on-chip RAM to retain their values.

To properly terminate Power Down the reset or external interrupt should not be executed before  $V_{CC}$  is restored to its normal operating level and must be held active long enough for the oscillator to restart and stabilize (normally less than 10ms).

With an external interrupt, INT0 and INT1 must be enabled and configured as level-sensitive. Holding the pin low restarts the oscillator but bringing the pin back high completes the exit. Once the interrupt is serviced, the next instruction to be executed after RETI will be the one following the instruction that put the device into Power Down.

## Design Consideration

- When the idle mode is terminated by a hardware reset, the device normally resumes program execution, from where it left off, up to two machine cycles before the internal reset algorithm takes control. On-chip hardware inhibits access to internal RAM in this event, but access to the port pins is not inhibited. To eliminate the possibility of an unexpected write when Idle is terminated by reset, the instruction following the one that invokes Idle should not be one that writes to a port pin or to external memory.

## ONCE™ Mode

The ONCE ("On-Circuit Emulation") Mode facilitates testing and debugging of systems using the 87L51FA/FB without the 87L51FA/FB having to be removed from the circuit. The ONCE Mode is invoked by:

1. Pull ALE low while the device is in reset and  $\overline{PSEN}$  is high;
2. Hold ALE low as RST is deactivated.

While the device is in ONCE Mode, the Port 0 pins go into a float state, and the other port pins and ALE and  $\overline{PSEN}$  are weakly pulled high. The oscillator circuit remains active. While the 87L51FA/FB is in this mode, an emulator or test CPU can be used to drive the circuit. Normal operation is restored when a normal reset is applied.

## CMOS single-chip 3.0V 8-bit microcontrollers

## 87L51FA/87L51FB

**Table 1. External Pin Status During Idle and Power-Down Mode**

MODE	PROGRAM MEMORY	ALE	PSEN	PORT 0	PORT 1	PORT 2	PORT 3
Idle	Internal	1	1	Data	Data	Data	Data
Idle	External	1	1	Float	Data	Address	Data
Power-down	Internal	0	0	Data	Data	Data	Data
Power-down	External	0	0	Float	Data	Data	Data

**ABSOLUTE MAXIMUM RATINGS**<sup>1, 2, 3</sup>

PARAMETER	RATING	UNIT
Operating temperature under bias	0 to +70 or -40 to +85	°C
Storage temperature range	-65 to +150	°C
Voltage on $\overline{EA}/V_{PP}$ pin to $V_{SS}$	0 to +13.0	V
Voltage on any other pin to $V_{SS}$	-0.5 to +6.5	V
Maximum $I_{OL}$ per I/O pin	15	mA
Power dissipation (based on package heat transfer limitations, not device power consumption)	1.5	W

**NOTES:**

1. Stresses above those listed under Absolute Maximum Ratings may cause permanent damage to the device. This is a stress rating only and functional operation of the device at these or any conditions other than those described in the AC and DC Electrical Characteristics section of this specification is not implied.
2. This product includes circuitry specifically designed for the protection of its internal devices from the damaging effects of excessive static charge. Nonetheless, it is suggested that conventional precautions be taken to avoid applying greater than the rated maxima.
3. Parameters are valid over operating temperature range unless otherwise specified. All voltages are with respect to  $V_{SS}$  unless otherwise noted.

**Electrical Deviations from Commercial Specifications for Extended Temperature Range**

DC and AC parameters not included here are the same as in the commercial temperature range table.

## CMOS single-chip 3.0V 8-bit microcontrollers

## 87L51FA/87L51FB

**DC ELECTRICAL CHARACTERISTICS**

$T_{amb} = 0^{\circ}\text{C}$  to  $+70^{\circ}\text{C}$ ,  $-40$  to  $+85^{\circ}\text{C}$ ,  $V_{CC} = 3.0\text{V}$  to  $4.5\text{V}$ ,  $V_{SS} = 0\text{V}$

SYMBOL	PARAMETER	TEST CONDITIONS	LIMITS			UNIT
			MIN	TYP <sup>1</sup>	MAX	
$V_{IL}$	Input low voltage, except $\overline{EA}^{2,3}$		-0.5		0.8	V
$V_{IL1}$	Input low voltage to $\overline{EA}^{2,3}$		0		0.8	V
$V_{IH}$	Input high voltage, except XTAL1, RST <sup>2,4</sup>		2.0		$V_{CC}+0.5$	V
$V_{IH1}$	Input high voltage, XTAL1, RST <sup>2,4</sup>		$0.7V_{CC}$		$V_{CC}+0.5$	V
$V_{OL}$	Output low voltage, ports 1, 2, 3 <sup>5</sup>	$I_{OL} = 1.6\text{mA}^6$			0.45	V
$V_{OL1}$	Output low voltage, port 0, ALE, $\overline{PSEN}^5$	$I_{OL} = 3.2\text{mA}^6$			0.45	V
$V_{OH}$	Output high voltage, ports 1, 2, 3, ALE, $\overline{PSEN}^7$	$I_{OH} = -20\mu\text{A}$	$V_{CC} - 0.5$			V
$V_{OH1}$	Output high voltage (port 0 in external bus mode), ALE <sup>8</sup> , $\overline{PSEN}^7$	$I_{OH} = -3.2\text{mA}$	$V_{CC} - 0.7$			V
$I_{IL}$	Logical 0 input current, ports 1, 2, 3 <sup>2</sup>	$V_{IN} = 0.4\text{V}$			-50	$\mu\text{A}$
$I_{TL}$	Logical 1-to-0 transition current, ports 1, 2, 3 <sup>2</sup>	See note 9			-650	$\mu\text{A}$
$I_{LI}$	Input leakage current, port 0	$0.45 V_{IN} < V_{CC} - 0.3$			$\pm 10$	$\mu\text{A}$
$I_{CC}$	Power supply current:2 Active mode @ 20MHz <sup>10</sup> Idle mode @ 20MHz Power-down mode	See note 11		9 2 10	22 6 75	mA mA $\mu\text{A}$
$R_{RST}$	Internal reset pull-down resistor		40		225	k $\Omega$
$C_{IO}$	Pin capacitance <sup>12</sup> (except $\overline{EA}$ )				15	pF

**NOTES:**

- Typical ratings are not guaranteed. The values listed are at room temperature, 3.3V.
- These values apply only to  $T_{amb} = 0^{\circ}\text{C}$  to  $+70^{\circ}\text{C}$ .
- For  $V_{CC}$  voltages above 3.6V and less than 5.5V,  $V_{IL} = 0.3V_{CC} - 0.1$
- For  $V_{CC}$  voltages above 3.6V and less than 5.5V,  $V_{IH} = 0.3V_{CC} + 0.92$
- Under steady state (non-transient) conditions,  $I_{OL}$  must be externally limited as follows:  
 Maximum  $I_{OL}$  per port pin: 15mA (\*NOTE: This is 85°C specification.)  
 Maximum  $I_{OL}$  per 8-bit port: 26mA  
 Maximum total  $I_{OL}$  for all outputs: 71mA  
 If  $I_{OL}$  exceeds the test condition,  $V_{OL}$  may exceed the related specification. Pins are not guaranteed to sink current greater than the listed test conditions.
- Capacitive loading on ports 0 and 2 may cause spurious noise to be superimposed on the  $V_{OL}$ s of ALE and ports 1 and 3. The noise is due to external bus capacitance discharging into the port 0 and port 2 pins when these pins make 1-to-0 transitions during bus operations. In the worst cases (capacitive loading > 100pF), the noise pulse on the ALE pin may exceed 0.8V. In such cases, it may be desirable to qualify ALE with a Schmitt Trigger, or use an address latch with a Schmitt Trigger STROBE input.  $I_{OL}$  can exceed these conditions provided that no single output sinks more than 5mA and no more than two outputs exceed the test conditions.
- Capacitive loading on ports 0 and 2 may cause the  $V_{OH}$  on ALE and  $\overline{PSEN}$  to momentarily fall below the  $0.9V_{CC}$  specification when the address bits are stabilizing.
- ALE is tested to  $V_{OH1}$ , except when ALE is off then  $V_{OH}$  is the voltage specification.
- Pins of ports 1, 2 and 3 source a transition current when they are being externally driven from 1 to 0. The transition current reaches its maximum value when  $V_{IN}$  is approximately 1.5V.
- $I_{CCMAX}$  at other frequencies is given by: Active mode:  $I_{CCMAX} = 0.8 \times \text{FREQ} + 6$ ; Idle mode:  $I_{CCMAX} = 0.19 \times \text{FREQ} + 2.50$ , where FREQ is the external oscillator frequency in MHz.  $I_{CCMAX}$  is given in mA. See Figure 8.
- See Figures 9 through 12 for  $I_{CC}$  test conditions.
- Pin capacitance is less than 25pF. Pin capacitance of ceramic package is less than 15pF (except  $\overline{EA}$  is 25pF). These values are guaranteed by design and are not tested.



## CMOS single-chip 3.0V 8-bit microcontrollers

## 87L51FA/87L51FB

**AC ELECTRICAL CHARACTERISTICS**T<sub>amb</sub> = 0°C to +70°C, -40 to +85°C, V<sub>CC</sub> = 3.0V to 4.5V, V<sub>SS</sub> = 0V<sup>1, 2, 3</sup>

SYMBOL	FIGURE	PARAMETER	16MHz CLOCK		VARIABLE CLOCK		UNIT
			MIN	MAX	MIN	MAX	
1/t <sub>CLCL</sub>	1	Oscillator frequency -4, -5			3.5	16	MHz
		-7, -8			3.5	20	MHz
t <sub>LHLL</sub>	1	ALE pulse width	85		2t <sub>CLCL</sub> -40		ns
t <sub>AVLL</sub>	1	Address valid to ALE low	22		t <sub>CLCL</sub> -40		ns
t <sub>LLAX</sub>	1	Address hold after ALE low	32		t <sub>CLCL</sub> -30		ns
t <sub>LLIV</sub>	1	ALE low to valid instruction in		150		4t <sub>CLCL</sub> -100	ns
t <sub>LLPL</sub>	1	ALE low to PSEN low	32		t <sub>CLCL</sub> -30		ns
t <sub>PLPH</sub>	1	PSEN pulse width	142		3t <sub>CLCL</sub> -45		ns
t <sub>PLIV</sub>	1	PSEN low to valid instruction in		82		3t <sub>CLCL</sub> -105	ns
t <sub>PXIX</sub>	1	Input instruction hold after PSEN	0		0		ns
t <sub>PXIZ</sub>	1	Input instruction float after PSEN		37		t <sub>CLCL</sub> -25	ns
t <sub>AVIV</sub>	1	Address to valid instruction in		207		5t <sub>CLCL</sub> -105	ns
t <sub>PLAZ</sub>	1	PSEN low to address float		10		10	ns
<b>Data Memory</b>							
t <sub>RLRH</sub>	2, 3	RD pulse width	275		6t <sub>CLCL</sub> -100		ns
t <sub>WLWH</sub>	2, 3	WR pulse width	275		6t <sub>CLCL</sub> -100		ns
t <sub>RLDV</sub>	2, 3	RD low to valid data in		147		5t <sub>CLCL</sub> -165	ns
t <sub>RHDX</sub>	2, 3	Data hold after RD	0		0		ns
t <sub>RHDZ</sub>	2, 3	Data float after RD		65		2t <sub>CLCL</sub> -60	ns
t <sub>LLDV</sub>	2, 3	ALE low to valid data in		350		8t <sub>CLCL</sub> -150	ns
t <sub>AVDV</sub>	2, 3	Address to valid data in		397		9t <sub>CLCL</sub> -165	ns
t <sub>LLWL</sub>	2, 3	ALE low to RD or WR low	137	237	3t <sub>CLCL</sub> -50	3t <sub>CLCL</sub> +50	ns
t <sub>AVWL</sub>	2, 3	Address valid to WR low or RD low	122		4t <sub>CLCL</sub> -130		ns
t <sub>QVWX</sub>	2, 3	Data valid to WR transition	13		t <sub>CLCL</sub> -50		ns
t <sub>WHQX</sub>	2, 3	Data hold after WR	13		t <sub>CLCL</sub> -50		ns
t <sub>QVWH</sub>	3	Data valid to WR high	287		7t <sub>CLCL</sub> -150		ns
t <sub>RLAZ</sub>	2, 3	RD low to address float		0		0	ns
t <sub>WHLH</sub>	2, 3	RD or WR high to ALE high	23	103	t <sub>CLCL</sub> -40	t <sub>CLCL</sub> +40	ns
<b>External Clock</b>							
t <sub>CHCX</sub>	5	High time	12		20		ns
t <sub>CLCX</sub>	5	Low time	12		20		ns
t <sub>CLCH</sub>	5	Rise time		20		20	ns
t <sub>CHCL</sub>	5	Fall time		20		20	ns
<b>Shift Register</b>							
t <sub>XLXL</sub>	4	Serial port clock cycle time	1		12t <sub>CLCL</sub>		μs
t <sub>QVXH</sub>	4	Output data setup to clock rising edge	492		10t <sub>CLCL</sub> -133		ns
t <sub>XHQX</sub>	4	Output data hold after clock rising edge	8		2t <sub>CLCL</sub> -117		ns
t <sub>XHDX</sub>	4	Input data hold after clock rising edge	0		0		ns
t <sub>XHDV</sub>	4	Clock rising edge to input data valid		492		10t <sub>CLCL</sub> -133	ns

**NOTES:**

- Parameters are valid over operating temperature range unless otherwise specified.
- Load capacitance for port 0, ALE, and PSEN = 100pF, load capacitance for all other outputs = 80pF.
- Interfacing the 87L51FA/FB to devices with float times up to 45ns is permitted. This limited bus contention will not cause damage to Port 0 drivers.

# CMOS single-chip 3.0V 8-bit microcontrollers

# 87L51FA/87L51FB

## EXPLANATION OF THE AC SYMBOLS

Each timing symbol has five characters. The first character is always 't' (= time). The other characters, depending on their positions, indicate the name of a signal or the logical status of that signal. The designations are:

- A – Address
- C – Clock
- D – Input data
- H – Logic level high
- I – Instruction (program memory contents)
- L – Logic level low, or ALE

- P –  $\overline{\text{PSEN}}$
- Q – Output data
- R –  $\overline{\text{RD}}$  signal
- t – Time
- V – Valid
- W –  $\overline{\text{WR}}$  signal
- X – No longer a valid logic level
- Z – Float

**Examples:**  $t_{AVLL}$  = Time for address valid to ALE low.  
 $t_{LLPL}$  = Time for ALE low to  $\overline{\text{PSEN}}$  low.

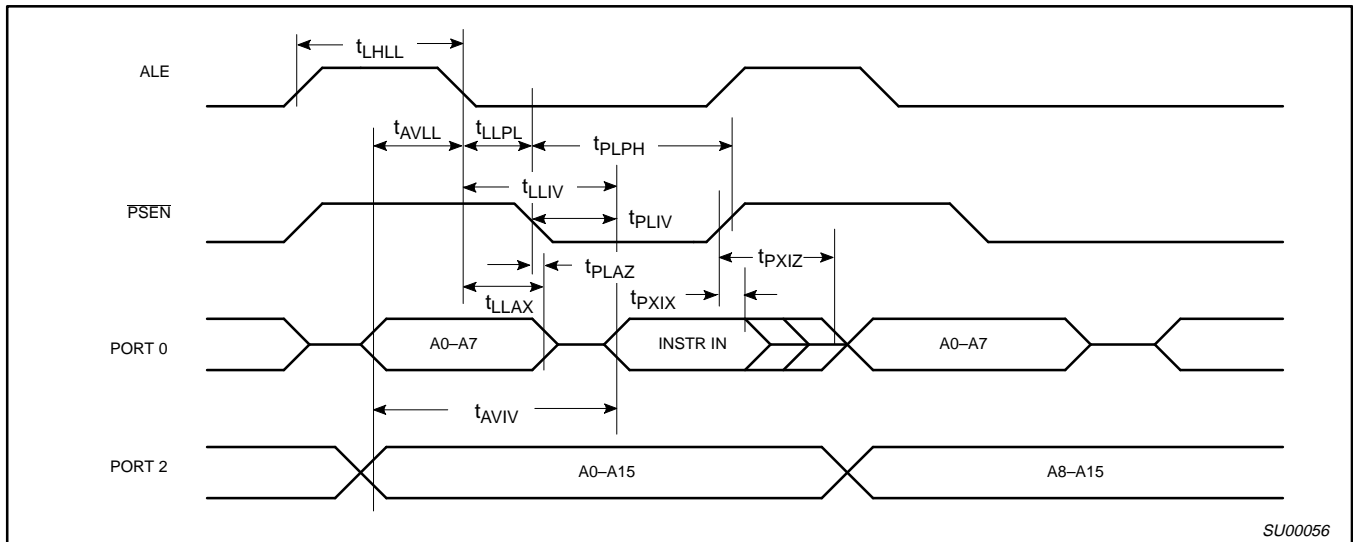


Figure 1. External Program Memory Read Cycle

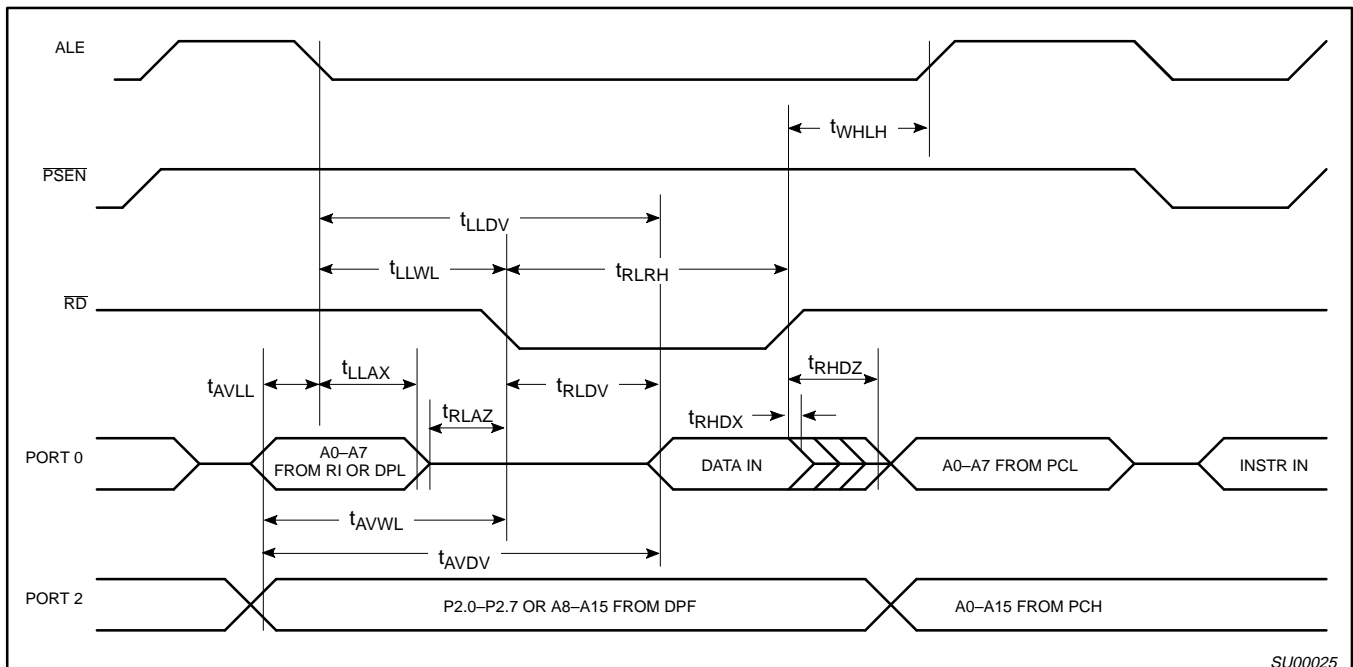


Figure 2. External Data Memory Read Cycle

CMOS single-chip 3.0V 8-bit microcontrollers

87L51FA/87L51FB

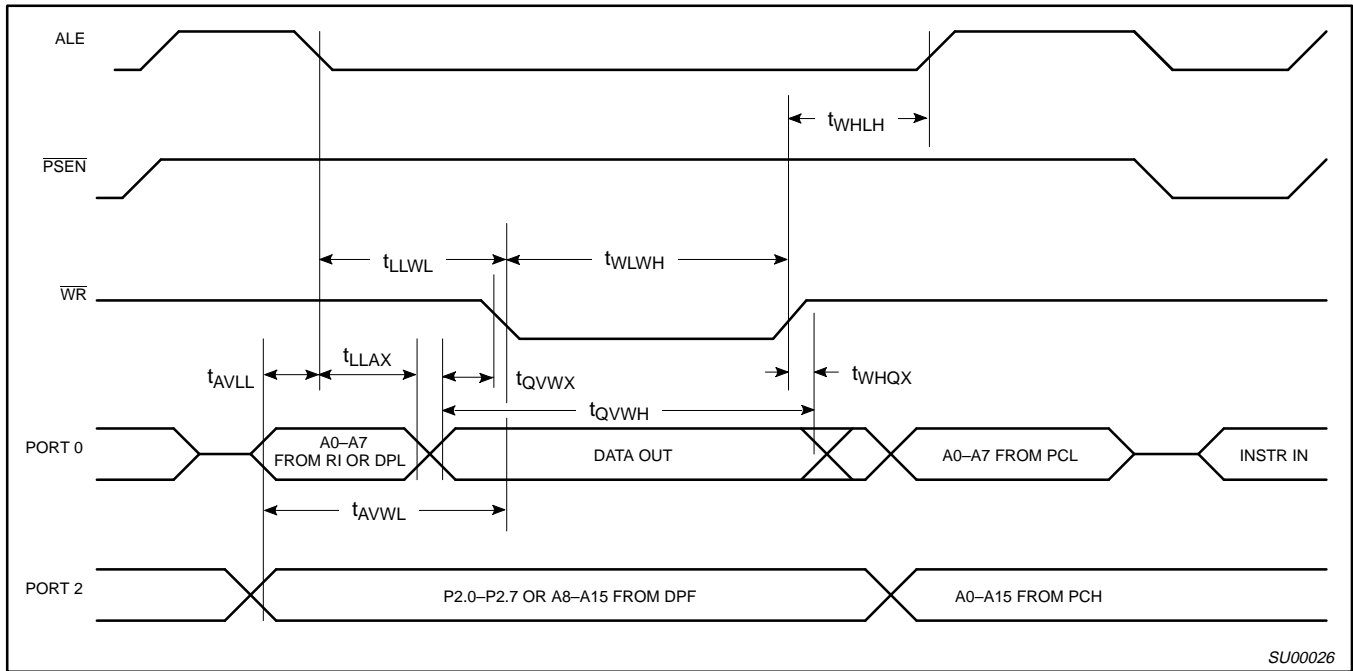


Figure 3. External Data Memory Write Cycle

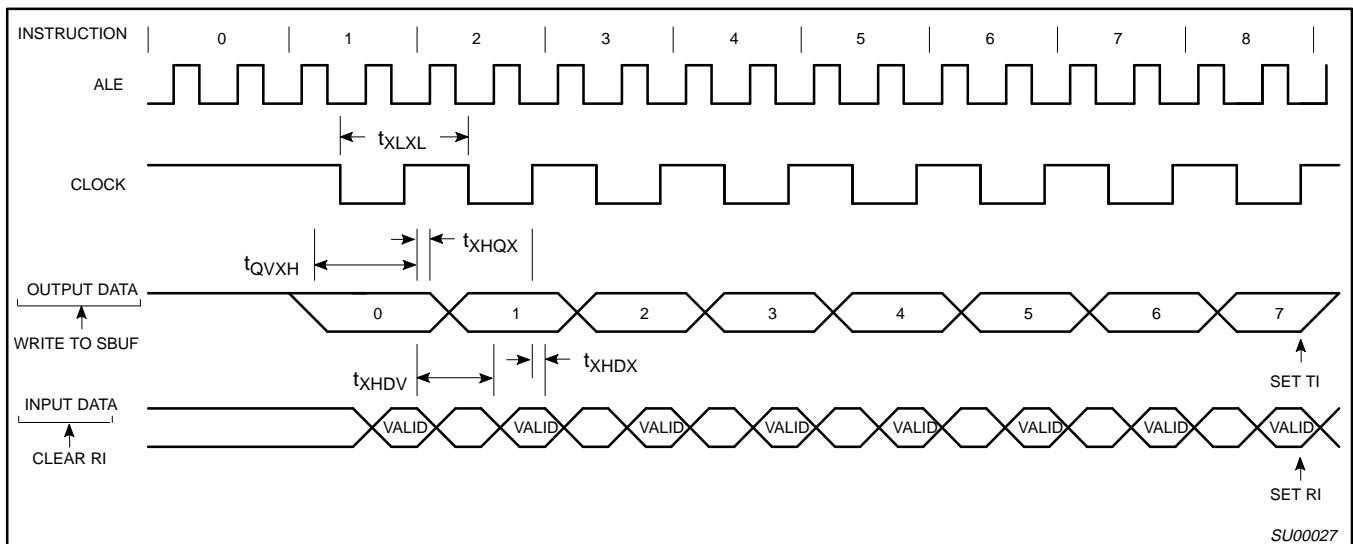


Figure 4. Shift Register Mode Timing

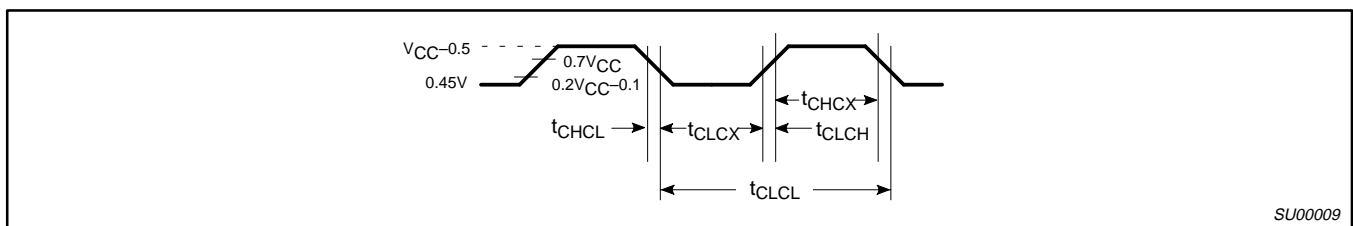
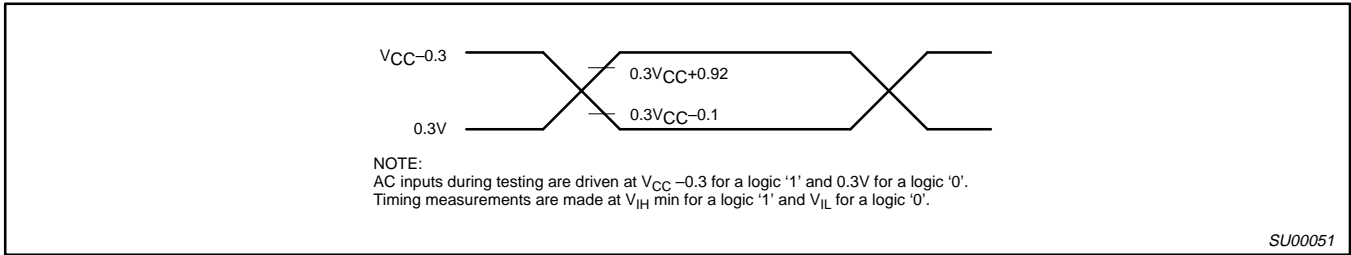


Figure 5. External Clock Drive

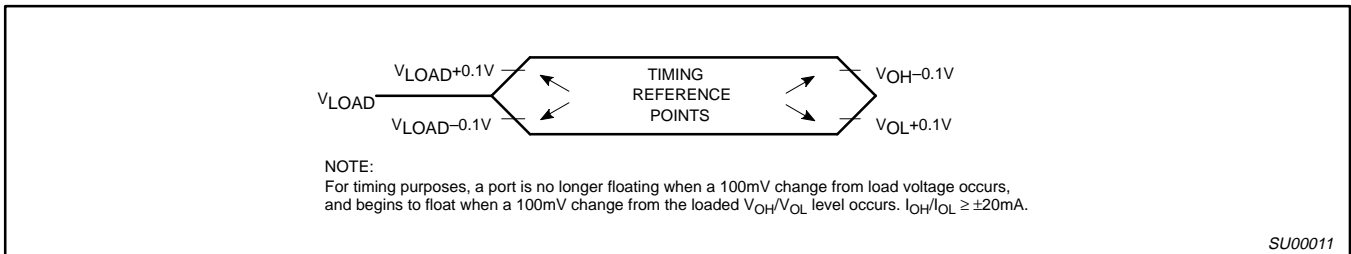
CMOS single-chip 3.0V 8-bit microcontrollers

87L51FA/87L51FB



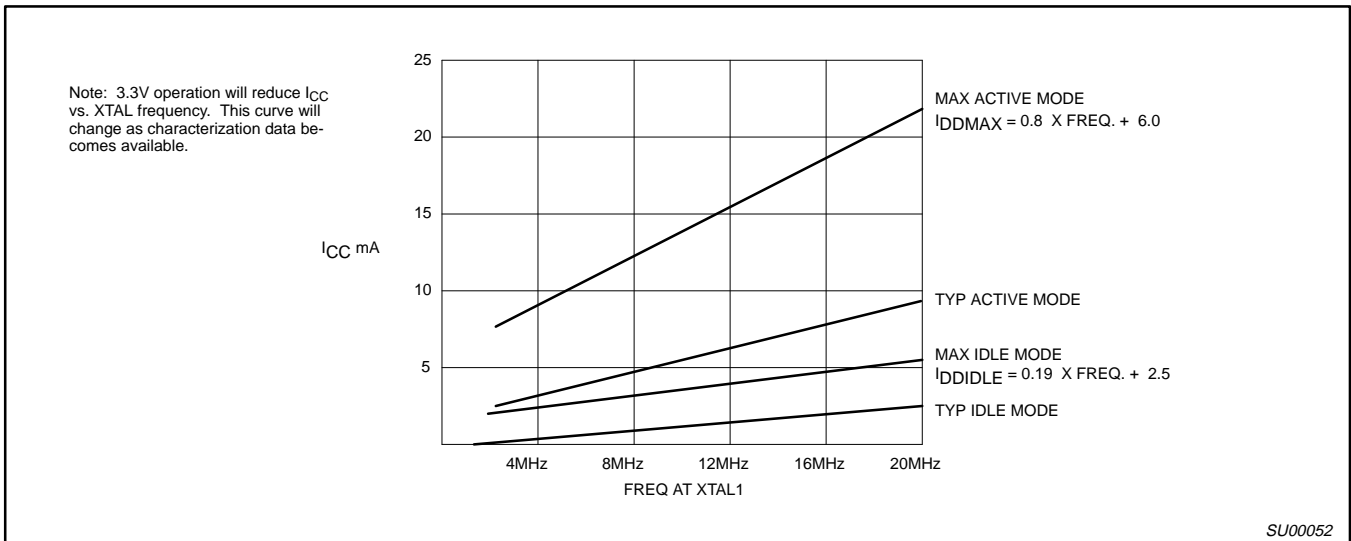
SU00051

Figure 6. AC Testing Input/Output



SU00011

Figure 7. Float Waveform



SU00052

Figure 8.  $I_{CC}$  vs. FREQ Valid only within frequency specifications of the device under test

CMOS single-chip 3.0V 8-bit microcontrollers

87L51FA/87L51FB

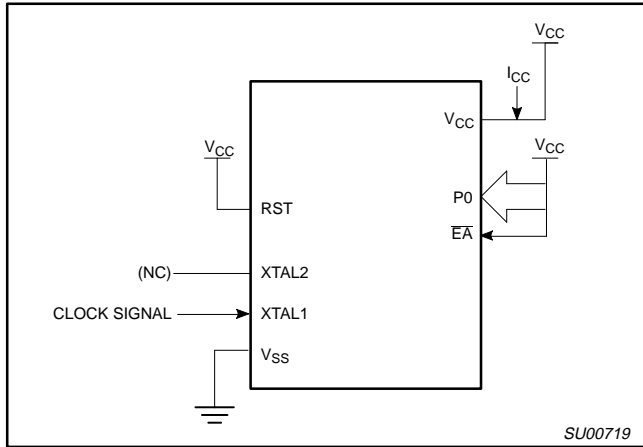


Figure 9.  $I_{CC}$  Test Condition, Active Mode  
All other pins are disconnected

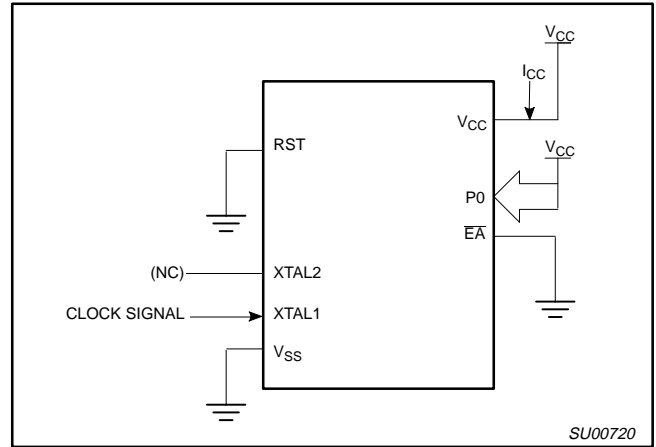


Figure 10.  $I_{CC}$  Test Condition, Idle Mode  
All other pins are disconnected

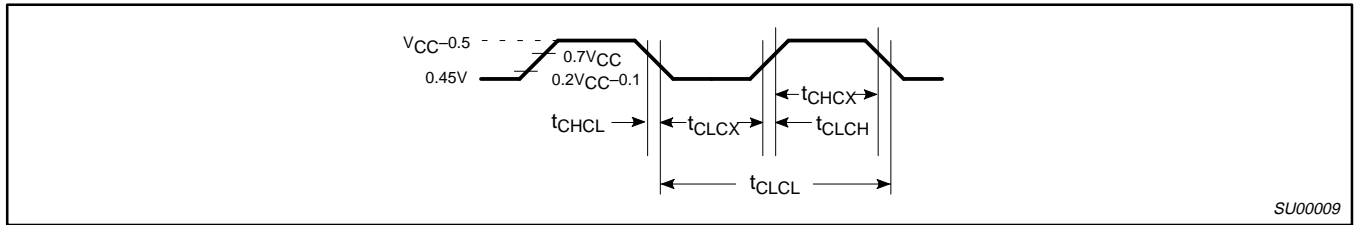


Figure 11. Clock Signal Waveform for  $I_{CC}$  Tests in Active and Idle Modes  
 $t_{CLCH} = t_{CHCL} = 5ns$

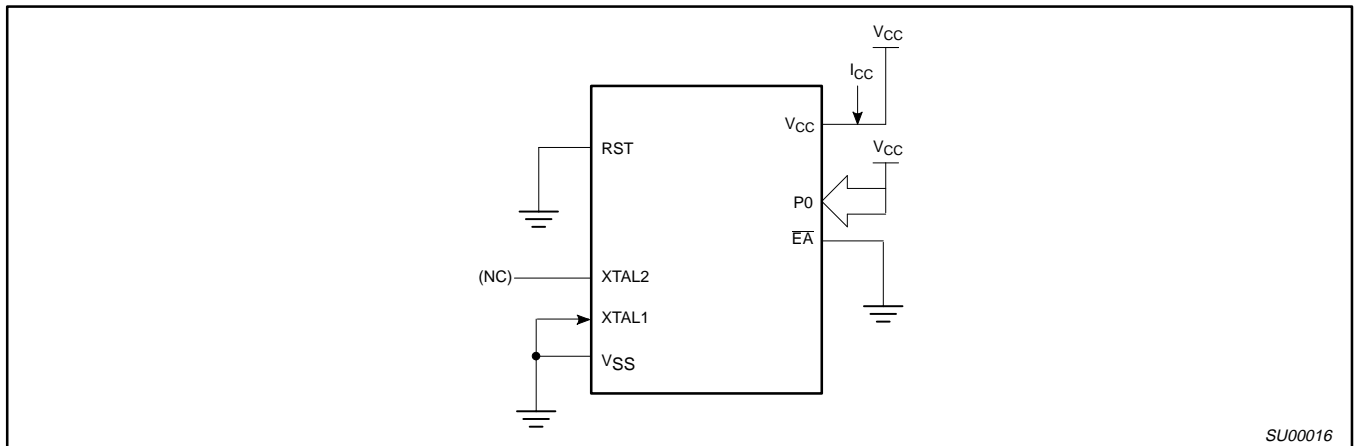


Figure 12.  $I_{CC}$  Test Condition, Power Down Mode  
All other pins are disconnected.  $V_{CC} = 2V$  to  $4.5V$

## CMOS single-chip 3.0V 8-bit microcontrollers

## 87L51FA/87L51FB

**EPROM CHARACTERISTICS**

The 87L51FA/FB is programmed by using a modified Quick-Pulse Programming™ algorithm. It differs from older methods in the value used for  $V_{PP}$  (programming supply voltage) and in the width and number of the ALE/PROG pulses.

The 87L51FA/FB contains two signature bytes that can be read and used by an EPROM programming system to identify the device. The signature bytes identify the device as an 87L51FA/FB manufactured by Philips.

Table 2 shows the logic levels for reading the signature byte, and for programming the program memory, the encryption table, and the security bits. The circuit configuration and waveforms for quick-pulse programming are shown in Figures 13 and 14. Figure 15 shows the circuit configuration for normal program memory verification.

**Quick-Pulse Programming**

The setup for microcontroller quick-pulse programming is shown in Figure 13. Note that the 87L51FA/FB is running with a 4 to 6MHz oscillator. The reason the oscillator needs to be running is that the device is executing internal address and program data transfers.

The address of the EPROM location to be programmed is applied to ports 1 and 2, as shown in Figure 13. The code byte to be programmed into that location is applied to port 0. RST,  $\overline{PSEN}$  and pins of ports 2 and 3 specified in Table 2 are held at the 'Program Code Data' levels indicated in Table 2. The ALE/PROG is pulsed low from 5 to 25 times as shown in Figure 14.

To program the encryption table, repeat the 5 to 25 pulse programming sequence for addresses 0 through 1FH, using the 'Pgm Encryption Table' levels. Do not forget that after the encryption table is programmed, verification cycles will produce only encrypted data.

To program the security bits, repeat the 5 to 25 pulse programming sequence using the 'Pgm Security Bit' levels. After one security bit is programmed, further programming of the code memory and encryption table is disabled. However, the other security bit can still be programmed.

Note that the  $\overline{EA}/V_{PP}$  pin must not be allowed to go above the maximum specified  $V_{PP}$  level for any amount of time. Even a narrow glitch above that voltage can cause permanent damage to the device. The  $V_{PP}$  source should be well regulated and free of glitches and overshoot.

**Table 2. EPROM Programming Modes<sup>1,2,3</sup>**

MODE	RST	$\overline{PSEN}$	ALE/PROG	$\overline{EA}/V_{PP}$	P2.7	P2.6	P3.7	P3.6
Read signature	1	0	1	1	0	0	0	0
Program code data	1	0	0 <sup>4</sup>	$V_{PP}$	1	0	1	1
Verify code data	1	0	1	1	0	0	1	1
Pgm encryption table	1	0	0 <sup>4</sup>	$V_{PP}$	1	0	1	0
Pgm security bit 1	1	0	0 <sup>4</sup>	$V_{PP}$	1	1	1	1
Pgm security bit 2	1	0	0 <sup>4</sup>	$V_{PP}$	1	1	0	0

**NOTES:**

- '0' = Valid low for that pin, '1' = valid high for that pin.
- $V_{PP} = 12.75V \pm 0.25V$ .
- $V_{CC} = 5V \pm 10\%$  during programming and verification.
- ALE/PROG receives 5 to 25 programming pulses while  $V_{PP}$  is held at 12.75V. Each programming pulse is low for 100 $\mu$ s ( $\pm 10\mu$ s) and high for a minimum of 10 $\mu$ s.

**Program Verification**

If security bit 2 has not been programmed, the on-chip program memory can be read out for program verification. The address of the program memory locations to be read is applied to ports 1 and 2 as shown in Figure 15. The other pins are held at the 'Verify Code Data' levels indicated in Table 2. The contents of the address location will be emitted on port 0. External pull-ups are required on port 0 for this operation.

If the encryption table has been programmed, the data presented at port 0 will be the exclusive NOR of the program byte with one of the encryption bytes. The user will have to know the encryption table contents in order to correctly decode the verification data. The encryption table itself cannot be read out.

**Reading the Signature Bytes**

The signature bytes are read by the same procedure as a normal verification of locations 030H and 031H, except that P3.6 and P3.7 need to be pulled to a logic low. The values are:  
 (030H) = 15H indicates manufactured by Philips  
 (031H) = B1H indicates 87L51FA  
       = B2H indicates 87L51FB

**Program/Verify Algorithms**

Any algorithm in agreement with the conditions listed in Table 2, and which satisfies the timing specifications, is suitable.

**Erase Characteristics**

Erase of the EPROM begins to occur when the chip is exposed to light with wavelengths shorter than approximately 4,000 angstroms. Since sunlight and fluorescent lighting have wavelengths in this range, exposure to these light sources over an extended time (about 1 week in sunlight, or 3 years in room level fluorescent lighting) could cause inadvertent erasure. **For this and secondary effects, it is recommended that an opaque label be placed over the window.** For elevated temperature or environments where solvents are being used, apply Kapton tape Fluorglas part number 2345-5, or equivalent.

The recommended erasure procedure is exposure to ultraviolet light (at 2537 angstroms) to an integrated dose of at least 15W-s/cm<sup>2</sup>. Exposing the EPROM to an ultraviolet lamp of 12,000 $\mu$ W/cm<sup>2</sup> rating for 20 to 39 minutes, at a distance of about 1 inch, should be sufficient.

Erase leaves the array in an all 1s state.

™Trademark phrase of Intel Corporation.

CMOS single-chip 3.0V 8-bit microcontrollers

87L51FA/87L51FB

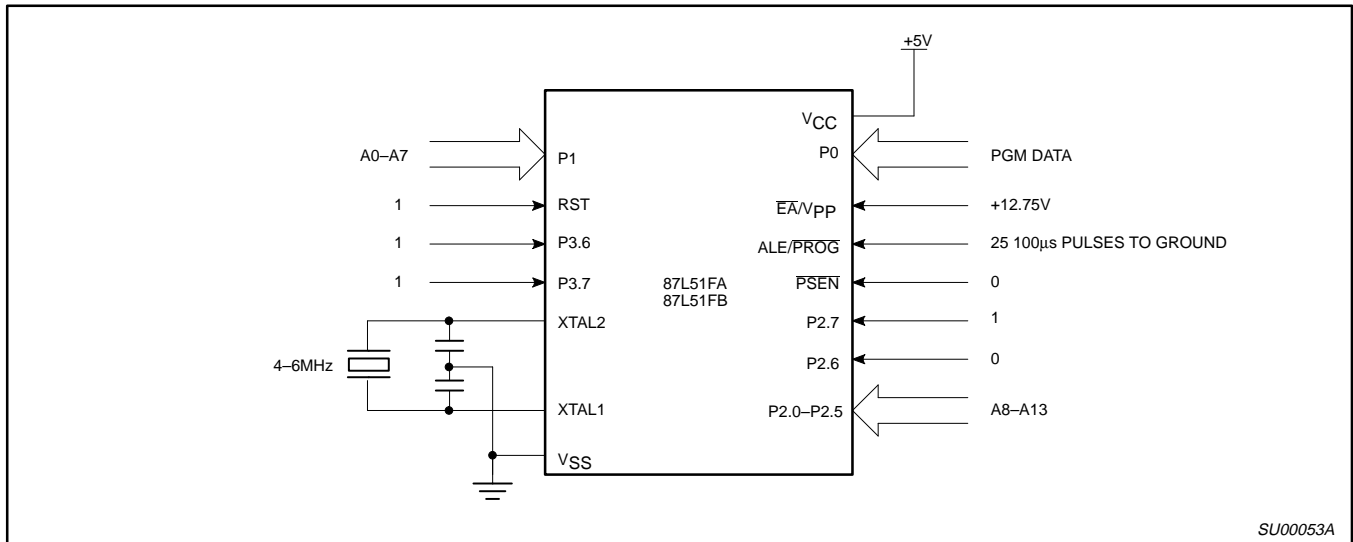


Figure 13. Programming Configuration

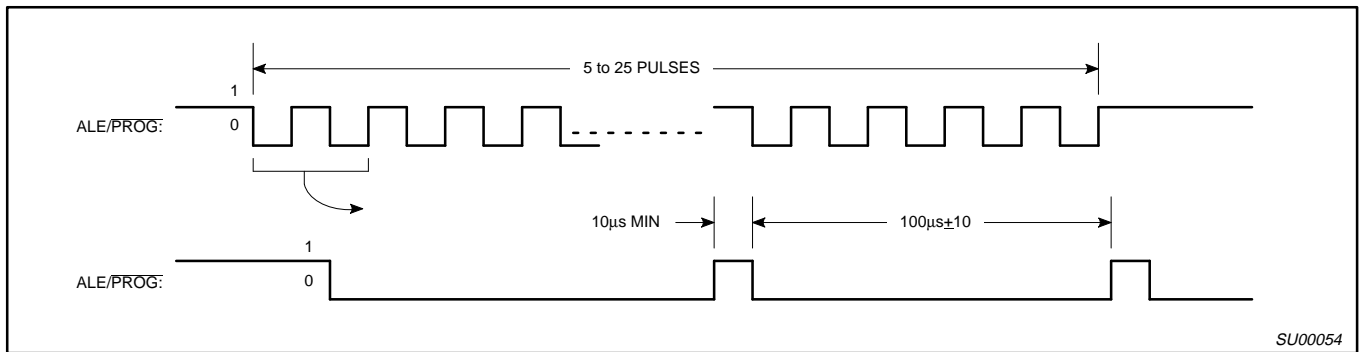


Figure 14. PROG Waveform

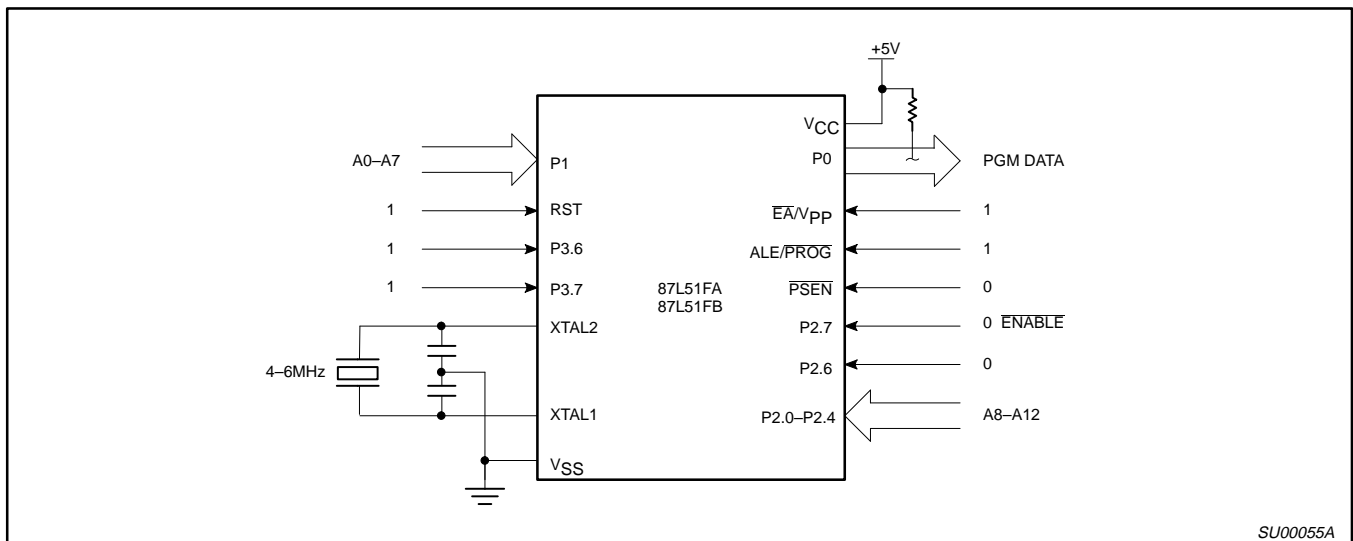


Figure 15. Program Verification

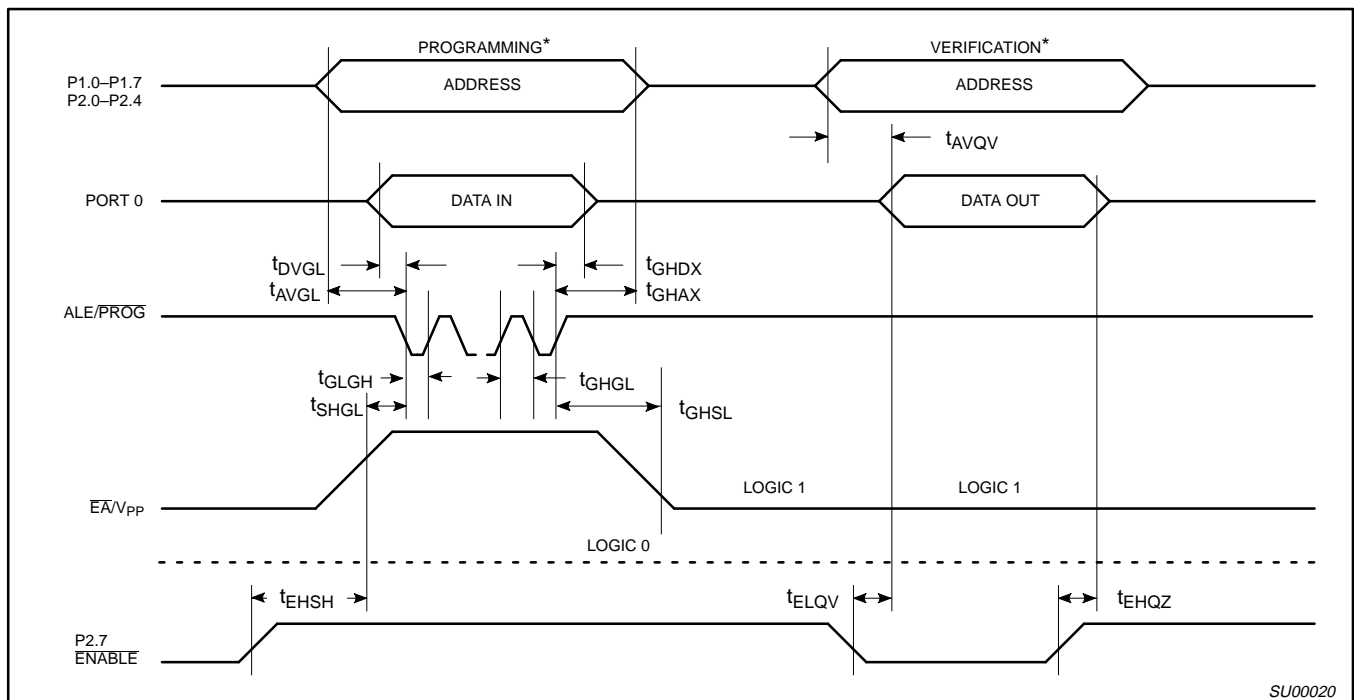
# CMOS single-chip 3.0V 8-bit microcontrollers

# 87L51FA/87L51FB

## EPROM PROGRAMMING AND VERIFICATION CHARACTERISTICS

T<sub>amb</sub> = 21°C to +27°C, V<sub>CC</sub> = 5V±10%, V<sub>SS</sub> = 0V (See Figure 16)

SYMBOL	PARAMETER	MIN	MAX	UNIT
V <sub>PP</sub>	Programming supply voltage	12.5	13.0	V
I <sub>PP</sub>	Programming supply current		50	mA
1/t <sub>CLCL</sub>	Oscillator frequency	4	6	MHz
t <sub>AVGL</sub>	Address setup to $\overline{\text{PROG}}$ low	48t <sub>CLCL</sub>		
t <sub>GHAX</sub>	Address hold after $\overline{\text{PROG}}$	48t <sub>CLCL</sub>		
t <sub>DVGL</sub>	Data setup to $\overline{\text{PROG}}$ low	48t <sub>CLCL</sub>		
t <sub>GHDX</sub>	Data hold after $\overline{\text{PROG}}$	48t <sub>CLCL</sub>		
t <sub>EHS</sub>	P2.7 ( $\overline{\text{ENABLE}}$ ) high to V <sub>PP</sub>	48t <sub>CLCL</sub>		
t <sub>SHGL</sub>	V <sub>PP</sub> setup to $\overline{\text{PROG}}$ low	10		μs
t <sub>GHSL</sub>	V <sub>PP</sub> hold after $\overline{\text{PROG}}$	10		μs
t <sub>GLGH</sub>	$\overline{\text{PROG}}$ width	90	110	μs
t <sub>AVQV</sub>	Address to data valid		48t <sub>CLCL</sub>	
t <sub>ELQZ</sub>	$\overline{\text{ENABLE}}$ low to data valid		48t <sub>CLCL</sub>	
t <sub>EHQZ</sub>	Data float after $\overline{\text{ENABLE}}$	0	48t <sub>CLCL</sub>	
t <sub>GHGL</sub>	$\overline{\text{PROG}}$ high to $\overline{\text{PROG}}$ low	10		μs



**NOTE:**

\* FOR PROGRAMMING VERIFICATION SEE FIGURE 13.  
 FOR VERIFICATION CONDITIONS SEE FIGURE 15.

Figure 16. EPROM Programming and Verification