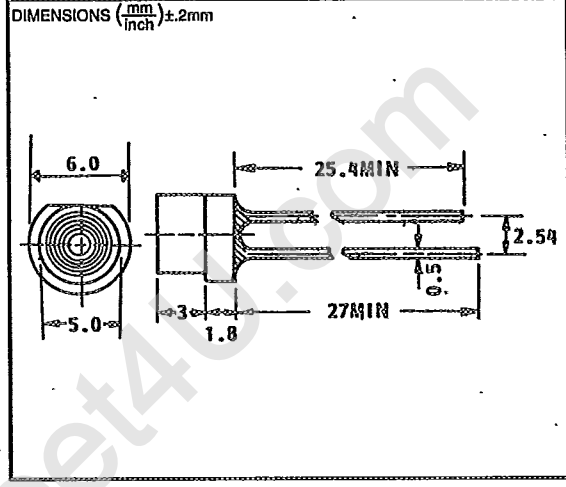


SSL-LX433 SERIES T-49 SHORT PROFILE REFLECTOR LENSED

LUMEX PART NBR	EMITTED COLOR		EPOXY LENS COLOR	BRIGHTNESS		VIEW ANGLE	VI@20mA	
	PEAK(nm)	LENS COLOR		TYP.(mod.)	I(mA)		TYP.	MAX
SSL-LX433ID	RED	635	RED DIFF.	6	20	120	2.0	2.8
SSL-LX433SRD	RED	660	RED DIFF.	25	20	120	1.7	2.2
SSL-LX433GD	GREEN	565	GREEN DIFF.	6	20	120	2.1	2.8
SSL-LX433YD	YELLOW	585	YELLOW DIFF.	6	20	120	2.1	2.8
BI-COLOR OPTIONS								
SSL-LX433HGW	RED/GREEN	695/565	WHITE DIFF.		20/20	120	2.0	2.8

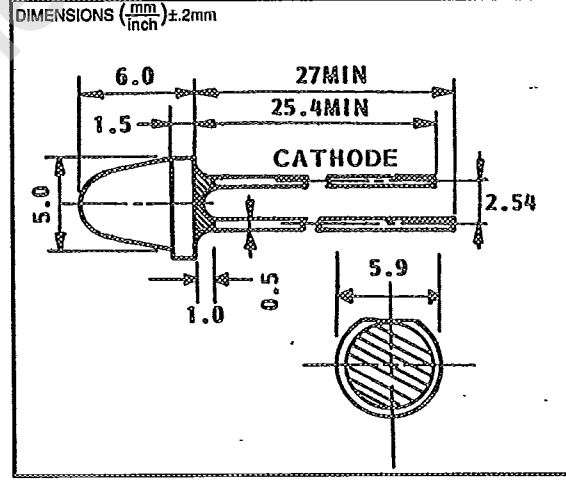
See pages 8 -14 for Max. operating limits and operating curves



SSL-LX5063 SERIES T-49 SHORT PROFILE REFLECTOR LENSED

LUMEX PART NBR	EMITTED COLOR		EPOXY LENS COLOR	BRIGHTNESS		VIEW ANGLE	VI@20mA	
	PEAK(nm)	LENS COLOR		TYP.(mod.)	I(mA)		TYP.	MAX
SSL-LX5063ID	RED	635	RED DIFF.	12	20	100	2.0	2.8
SSL-LX5063SRD	RED	660	RED DIFF.	40	20	100	1.7	2.2
SSL-LX5063GD	GREEN	565	GREEN DIFF.	12	20	100	2.1	2.8
SSL-LX5063YD	YELLOW	585	YELLOW DIFF.	12	20	100	2.1	2.8
BI-COLOR OPTIONS								
SSL-LX5063HGW	RED/GREEN	695/565	WHITE DIFF.	6%	20/20	100	2.0	2.8

See pages 8 -14 for Max. operating limits and operating curves



SSL-LX5093XD SERIES T-5 DIFFUSED LENS POPULAR LEDS

LUMEX PART NBR	EMITTED COLOR		EPOXY LENS COLOR	BRIGHTNESS		VIEW ANGLE	VI@20mA	
	PEAK(nm)	LENS COLOR		TYP.(mod.)	I(mA)		TYP.	MAX
SSL-LX5093ID	RED	635	RED DIFF.	20	20	80	2.0	2.8
SSL-LX5093SRD	RED	660	RED DIFF.	250	20	80	1.7	2.2
SSL-LX5093GD	GREEN	565	GREEN DIFF.	20	20	80	2.1	2.8
SSL-LX5093YD	YELLOW	585	YELLOW DIFF.	20	20	80	2.1	2.8
BI-COLOR OPTIONS								
SSL-LX5093IGW	RED/GREEN	635/565	WHITE DIFF.	12/12	20/20	80	2.0	2.8
LOW CURRENT OPTIONS								
SSL-LX5093LID	RED	635	RED DIFF.	1.5	2	80	2.0	2.8
SSL-LX5093LGD	GREEN	565	GREEN DIFF.	1.5	2	80	2.1	2.8
SSL-LX5093LYD	YELLOW	585	GREEN DIFF.	1.5	2	80	2.1	2.8
SSL-LX5093ERD	RED	660	RED DIFF.	2.0	2	80	1.7	2.2

See pages 8 -14 for Max. operating limits and operating curves

