

## In-Rush Current Limit MOSFET Driver

### FEATURES

- 2.9- to 13-V Input Operating Range
- Microprocessor  $\overline{\text{RESET}}$
- Integrated High-Side Driver for N-Channel MOSFET
- Programmable di/dt Current

### DESCRIPTION

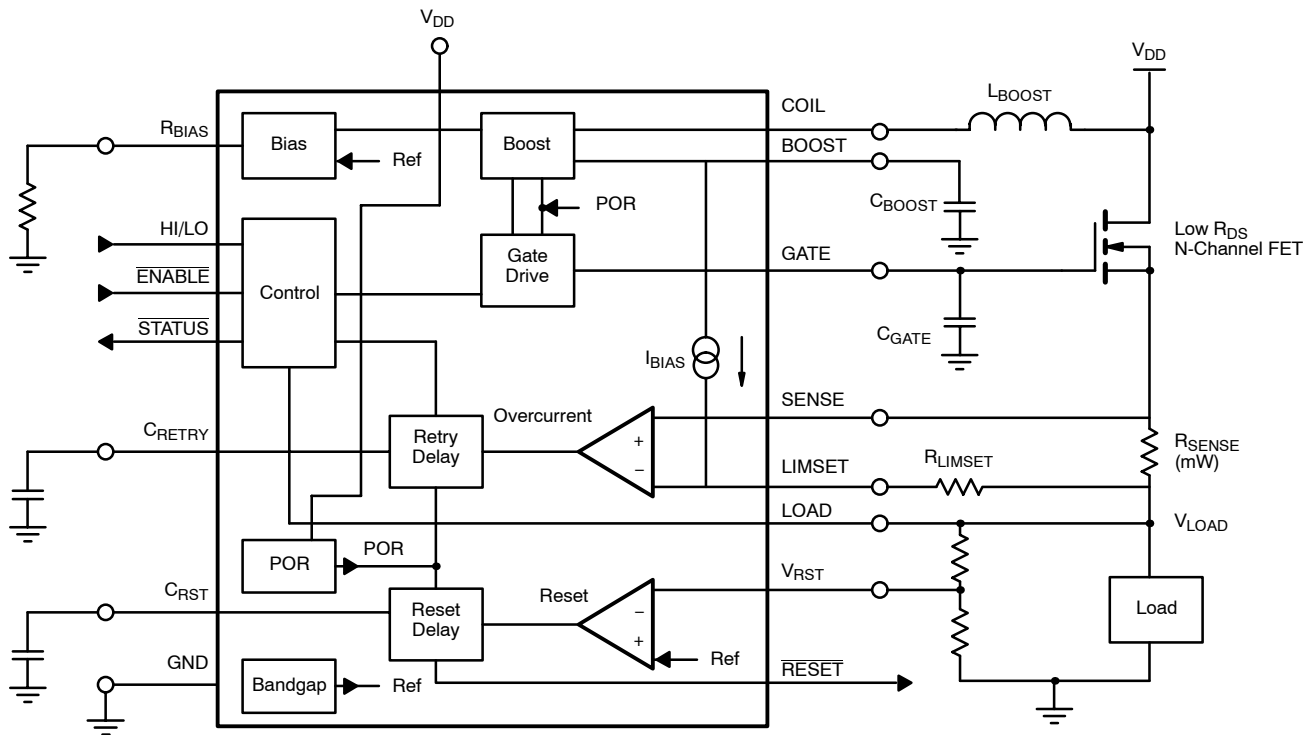
The Si9750 current limit MOSFET interface IC is designed to operate between a power source and a load using a low on-resistance power MOSFET with a sense terminal or in conjunction with a low ohmic sense resistor. The Si9750 current limiter prevents source and load transients during hot swap and power-on with programmable dv/dt and di/dt. Both turn-on and steady-state current limits can be individually programmed, providing protection against short circuits. Power on  $\overline{\text{RESET}}$  and logic controls allow complete

microprocessor interfacing. The  $\overline{\text{RESET}}$  function of the Si9750 is industry-standard with full programmability.

The Si9750 is available in a 16-pin SOIC package and is rated over the commercial temperature range (0 to 70°C).

The Si9750 is available in both standard and lead (Pb)-free packages.

### FUNCTIONAL BLOCK DIAGRAM



### ABSOLUTE MAXIMUM RATINGS

Voltages Referenced to Ground

$V_{DD}$ .....	15 V
Boost Voltage .....	29 V
Inputs/Outputs (except Gate, Boost and $V_{RST}$ ) .....	-0.3 to $V_{DD} + 0.3$ V
$V_{RST}$ Input Current ( $0 < V_{RST} < 15$ V) .....	20 mA
Inputs/Outputs Current .....	20 mA
RESET Current .....	3 mA
STATUS Current .....	3 mA

Storage Temperature .....	-65 to 125°C
Junction Temperature .....	150°C
Power Dissipation (package) <sup>a</sup> 16-Pin SOIC <sup>b</sup> .....	900 mW
Thermal Impedance ( $\Theta_{JA}$ ) .....	140°C/W

#### Notes

- a. Device mounted with all leads soldered or welded to PC board.  
b. Derate 7.2 mW/°C above 25°C.

\* . Exposure to Absolute Maximum rating conditions for extended periods may affect device reliability. Stresses above Absolute Maximum rating may cause permanent damage. Functional operation at conditions other than the operating conditions specified is not implied. Only one Absolute Maximum rating should be applied at any one time

SPECIFICATIONS							
Parameter	Symbol	Test Conditions Unless Specified $2.9\text{ V} \leq V_{DD} \leq 13.2\text{ V}$ HI/LO = GND, $R_{BIAS} = 12.5\text{ k}\Omega$ $L_{BOOST} = 100\text{ }\mu\text{H}$ , $C_{BOOST} = 100\text{ nF}$	Limits 0 to 70°C			Unit	
			Min <sup>a</sup>	Typ <sup>b</sup>	Max <sup>a</sup>		
<b>Supply</b>							
Quiescent Current	$I_Q$	ENABLE = Logic Low		4	8	mA	
<b>Logic</b>							
Enable Turn-On Voltage	$V_{EN(on)}$				$0.3 \times V_{DD}$	V	
Enable Turn-Off Voltage	$V_{EN(off)}$		$0.7 \times V_{DD}$				
Enable Source Current	$I_{ENSRC}$	$V_{ENABLE} = 0\text{ V}$	40		120	$\mu\text{A}$	
Turn-On Time	$t_{ON}$	See Figure 3			5	$\mu\text{s}$	
Turn-Off Time	$t_{OFF}$				5		
Turn-On Boost	$t_{ON(BST)}$	See Figure 4			600		
$t_{OFF}$ Initial Short Circuit	$t_{OFF(ISC)}$	$C_{GATE} = 33\text{ nF}$ , See Figure 6			10		
$t_{OFF}$ Short Circuit	$t_{OFF(SC)}$	$C_{GATE} = 33\text{ nF}$ , See Figure 7			2		
Status Output Voltage	$V_{STAT}$	$I_{SINK} = 200\text{ }\mu\text{A}$			0.4		V
Status Output Delay Time	$t_{STDLY}$	See Figure 8			25		$\mu\text{s}$
Status Threshold	$V_{STATTHR}$		$0.85 \times V_{DD}$		$0.95 \times V_{DD}$	V	
HI/LO Turn-On Voltage	$V_{HILO(on)}$		$0.7 \times V_{DD}$				
HI/LO Turn-Off Voltage	$V_{HILO(off)}$				$0.3 \times V_{DD}$		
<b>Gate Drive</b>							
Enhancement Voltage ( $V_{GATE} - V_{SENSE}$ )	$V_{GS}$		8.5	10.5	15	V	
Source Current	$I_{SOURCE}$	$V_{CBOOST} = 9\text{ V}$	1.06	1.30	1.54	mA	
Sink Current	$I_{SINK}$		1.6	2.6	3.7		
<b>Current Sense Circuit</b>							
Current Sense Amplifier Common Mode Range	$V_{CMR}$		0		$V_{DD} + 0.3$	V	
Current Sense Amplifier Voltage Offset	$V_{OS}$		-3		3	mV	
Current Sense Amplifier Bias Current	$I_{SOS}$	Normal Operation		-0.2		$\mu\text{A}$	
$R_{LIMSET}$ Reference Current	$I_{RLIMSET}$		18	19.5	21		
Current Sense Amplifier Hysteresis	$V_{HYST}$			12		mV	
Current Sense Amplifier Series Offset	$V_{SOS}$	HI/LO = $V_{DD}$ , $V_{CMR} > 0.5\text{ V}$		20			
<b>Power On Reset</b>							
RESET Output Voltage	$V_{OP(rst)}$	$I_{OUT} = 1\text{ mA}$ , $V_{DD} > 2\text{ V}$			0.4	V	
RESET Output Hysteresis <sup>c</sup>	$V_{HYST}$	See Note c		2		mV	
RESET Comparator Input Threshold	$V_{RST}$		1.223	1.250	1.277	V	

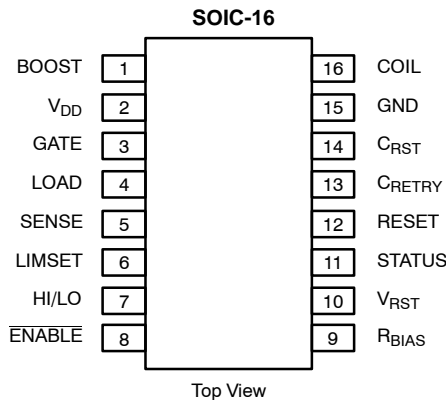


SPECIFICATIONS						
Parameter	Symbol	Test Conditions Unless Specified 2.9 V ≤ V <sub>DD</sub> ≤ 13.2 V HI/LO = GND, R <sub>BIAS</sub> = 12.5 kΩ L <sub>BOOST</sub> = 100 μH, C <sub>BOOST</sub> = 100 nF	Limits 0 to 70°C			Unit
			Min <sup>a</sup>	Typ <sup>b</sup>	Max <sup>a</sup>	
<b>Power On Reset</b>						
RESET Comparator Offset Voltage <sup>d</sup>	V <sub>RBIAS</sub>			0.5		mV
RESET Comparator Input Bias Current	I <sub>BIAS</sub>			-0.2		μA
RESET Timer Delay	t <sub>RSTD</sub>	C <sub>RST</sub> = 15 nF, See Figure 8	110	150	190	μs
RETRY	t <sub>RETRY</sub>	C <sub>RETRY</sub> = 100 nF	70	130	200	ms

Notes

- a. The algebraic convention whereby the most negative value is a minimum and the most positive a maximum.
- b. Typical values are for DESIGN AID ONLY, not guaranteed nor subject to production test.
- c. In a practical situation, V<sub>HYST</sub> is multiplied by ratio of a resistor divider chain. For V<sub>DD</sub> = 13.2 V, V<sub>HYST</sub> = 20 mV.
- d. The RESET comparator input threshold specification (V<sub>RST</sub>) includes the RESET comparator offset voltage.

**PIN CONFIGURATION AND ORDERING INFORMATION**



ORDERING INFORMATION		
Part Number	Temperature Range	Package
Si9750CY	0 to 70°C	SOIC-16
Si9750CY-T1		
Si9750CY-T1—E3		

PIN DESCRIPTION		
Pin Number	Function	Description
1	BOOST	Output of on-chip Boost converter. A 100-nF capacitor should be connected between BOOST and GND
2	V <sub>DD</sub>	Positive supply pin.
3	GATE	Connection to external power MOSFET gate.
4	LOAD	Connection to positive supply side of LOAD.
5	SENSE	Connects external sense resistor of a sensefet sense pin to SENSE input of overcurrent trip comparator. A standard MOSFET may also be used in conjunction with a low ohmic value shunt resistor.
6	LIMSET	Connects overcurrent limit set resistor R <sub>LIMSET</sub> to the reference input of overcurrent trip comparator.
7	HI/LO	CMOS logic input to control the overcurrent trip comparator sensitivity at power-on. HI/LO should be connected to GND for low Capacitive loads and to V <sub>DD</sub> for high capacitive loads.
8	ENABLE	CMOS logic input to turn IC on or off. GATE voltage remains low when ENABLE is high.
9	R <sub>BIAS</sub>	A resistor connected from this pin to GND programs the reference bias current for the overcurrent trip comparator resistor R <sub>LIMSET</sub> and the GATE <sub>(on)</sub> charge current. See Functional Description for equations.
10	V <sub>RST</sub>	Input to voltage monitor comparator.
11	STATUS	Open drain NMOS output. This pin is driven low when the current limiter is enabled and the LOAD voltage is greater than 90% of V <sub>DD</sub> .
12	RESET	Open drain NMOS output. This pin is driven low during power on reset or when V <sub>RST</sub> is lower than the internal 1.25-V reference.
13	C <sub>RETRY</sub>	A capacitor connected from this pin to GND programs the retry timer.
14	C <sub>RST</sub>	A capacitor connected from this pin to GND programs the reset timer.
15	GND	Negative supply pin.
16	COIL	Connection to Boost converter inductor.

**FUNCTIONAL DESCRIPTION**

The Si9750 together with an n-channel MOSFET provides the following functions:

- limits di/dt current for hot insertion applications
- provides complete short circuit protection
- high-side drive allows n-channel MOSFET to be used, for lower power dissipation
- industry-standard microprocessor reset function
- logic control input and outputs

**Setting the Current Limit  
(SENSE, HI/LO pins, R<sub>LIMSET</sub>, R<sub>SENSE</sub>)**

The current limit point is determined by the voltage across R<sub>SENSE</sub>, the value of R<sub>LIMSET</sub>, and the bias current. The current limit circuit is shown in Figure 1

The steady state current is set by the equation:

$$I_{LOAD} \times R_{SENSE} > I_{BIAS} \times R_{LIMSET} \tag{1}$$

Due to the highly capacitive nature of some loads, the Si9750 has an option to increase the current limit point to a much higher level at turn-on. In this case, turn-on is defined as V<sub>GATE</sub> < V<sub>DD</sub> + 7.8 V. This function is implemented with the HI/LO pin.

If the HI/LO pin is tied low the current limit is 20% higher during turn-on than the steady state current limit point.

$$I_{LOAD} \times R_{SENSE} > 1.2 \times I_{BIAS} \times R_{LIMSET} \tag{2}$$

(with pin HI/LO=Low)

If a higher current limit is needed at start-up, the HI/LO pin can be tied high. The equation becomes:

$$I_{LOAD} \times R_{SENSE} > 1.2 \times I_{BIAS} \times R_{LIMSET} + I_{BIAS}(1 \text{ k}\Omega + R_{HI}) \tag{3}$$

(HI/LO = High)

Notice that any current limit can be set at turn-on using an optional resistor, R<sub>HI</sub>.

**Relaxation Mode Current Limit  
(C<sub>RETRY</sub> pin)**

In an overload condition, the Si9750 will go into a relaxation mode current limit operation that not only protects the source and load, but also reduces the power dissipated in the MOSFET. When an overload is detected, the circuit quickly turns off, then goes into a retry mode whereby the current is ramped up slowly. If the fault still exists, the current will ramp down again. This sequence will repeat indefinitely at a period defined by 10<sup>6</sup> × C<sub>RETRY</sub> until the fault is removed. Typically, capacitors in the range of 1 nF to 1 μF can be used on C<sub>RETRY</sub>, but the period should be >50 ms.

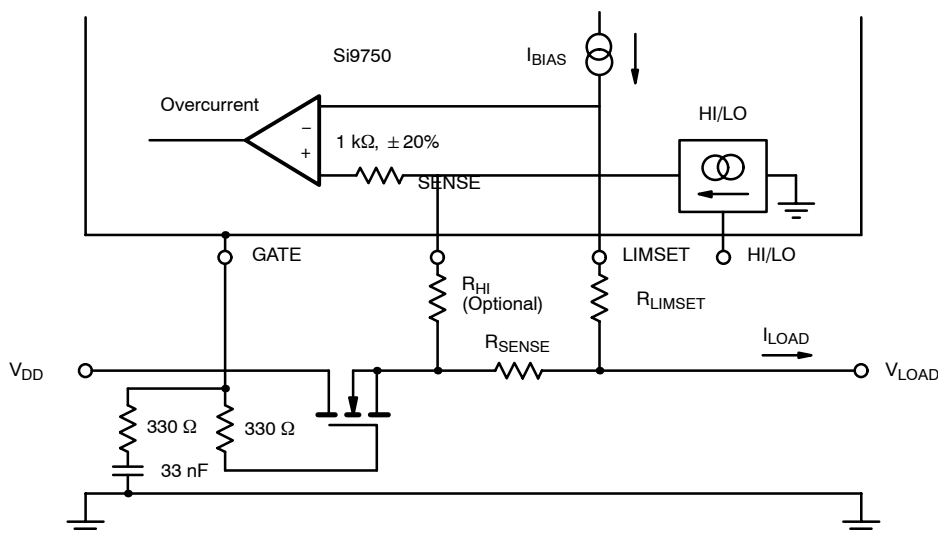


FIGURE 1.

**FUNCTIONAL DESCRIPTION (CONT'D)**
**di/dt Limiting On Hot and Cold Insertion (GATE pin)**

The GATE pin provides a constant current source that is used to control the rate of rise of the gate of the MOSFET, and hence to control the di/dt of the load and source current. The equation that governs the gate current is:

$$I_{\text{SOURCE}} = 1.25 \text{ V} \times \frac{12}{R_{\text{BIAS}}} = 1.2 \text{ mA} \quad (4)$$

(for  $R_{\text{BIAS}} = 12.5 \text{ k}\Omega$ )

Typically, a 33-nF capacitor should be connected from the GATE pin to ground. If a large  $I_{\text{SOURCE}}$  is needed for high di/dt, a 330- $\Omega$  resistor in series with  $C_{\text{GATE}}$  may be necessary to prevent oscillation. In the case that  $V_{\text{DD}} > 6 \text{ V}$ , a resistor of approximately 330  $\Omega$  is also recommended in series with the gate. (Figure 1)

**Reference Bias Current (RBIAS pin)**

This pin sets the internal current used by  $R_{\text{LIMSET}}$  to determine all the current limit points. Typically  $R_{\text{BIAS}} = 12.5 \text{ k}\Omega$  which sets a 20- $\mu\text{A}$  bias current. The equation which relates  $R_{\text{BIAS}}$  to  $I_{\text{BIAS}}$  is:

$$I_{\text{BIAS}} = \frac{1.25 \text{ V}}{5 \times R_{\text{BIAS}}} = 20 \mu\text{A} \quad (5)$$

(for  $R_{\text{BIAS}} = 12.5 \text{ k}\Omega$ )

**Power on Reset (POR) (VDD pin)**

This function monitors the voltage on the  $V_{\text{DD}}$  pin and signals the system if all input voltage requirements have been met. At turn-on when  $V_{\text{DD}} > 2.7 \text{ V} \pm 200 \text{ mV}$ , a POR signal is generated for a duration of 100  $\mu\text{s}$ . After this point the system is released into operation. If  $V_{\text{DD}}$  falls below  $2.7 \text{ V} \pm 200 \text{ mV}$ , a second POR signal will be generated. If two POR signals are detected, this indicates that the source for  $V_{\text{DD}}$  is not capable of supplying the load current. The IC then turns off the MOSFET and initiates its retry period, hence fully protecting the MOSFET from an over-power condition.

**Boost Converter (COIL, BOOST pins)**

The boost converter generates the gate drive for the external n-channel MOSFET. This is limited to typically  $V_{\text{DD}} + 11 \text{ V}$ . The

boost inductor should typically be 100  $\mu\text{H}$ ,  $<3.5 \Omega$ ,  $>180 \text{ mA}$  dc, and the boost capacitor should be 100 nF.

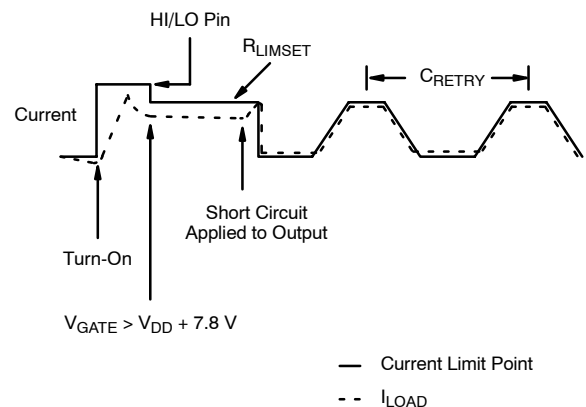
**Logic Control (STATUS, ENABLE, RESET, VRST and CRST pins)**

**STATUS.** The status monitor detects when the load voltage is 90% of input voltage,  $V_{\text{LOAD}} > 0.9 \times V_{\text{DD}}$ . This pin is an open-drain NMOS output, capable of sinking 200  $\mu\text{A}$  at  $V_{\text{OL}} = 0.4 \text{ V}$ . If this pin is used in conjunction with the **ENABLE** of another unit, power supply sequencing (or daisy-chaining) is easily implemented.

**ENABLE.** This CMOS logic compatible input serves as the on/off control pin. This pin has 40- $\mu\text{A}$  minimum pull-up to  $V_{\text{DD}}$ .

**RESET (VRST, CRST, RESET pins).** This is a standard implementation of the microprocessor reset function. A comparator looks at the voltage on  $V_{\text{RST}}$  pin and compares it with 1.25 V. This function is programmable by using an external voltage divider. When  $V_{\text{RST}}$  is higher than 1.25 V, the reset signal is delayed by the  $C_{\text{RST}}$  pin, defined by Equation (6) and then goes high. (Figure 2)

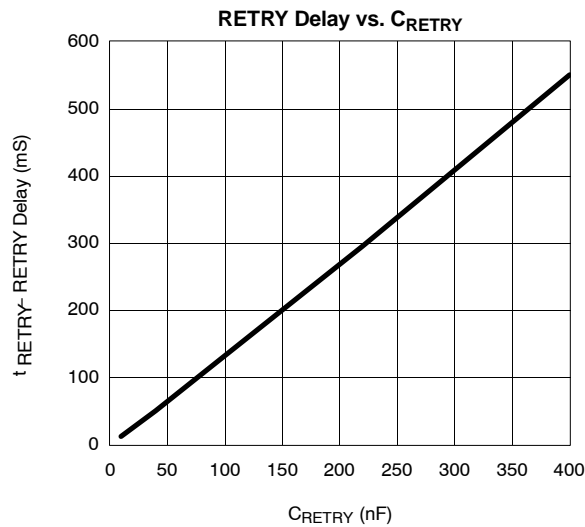
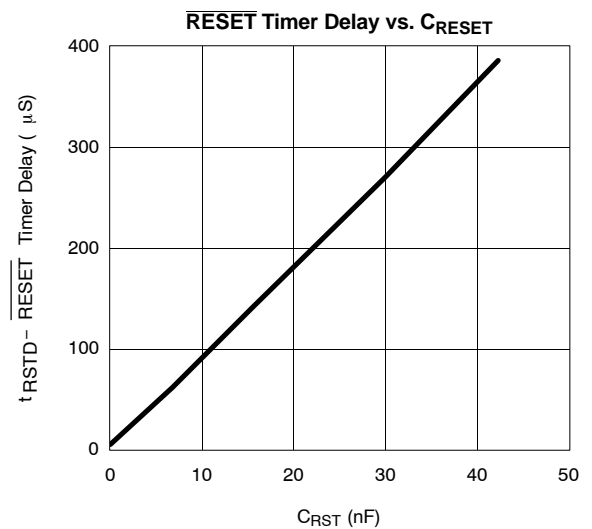
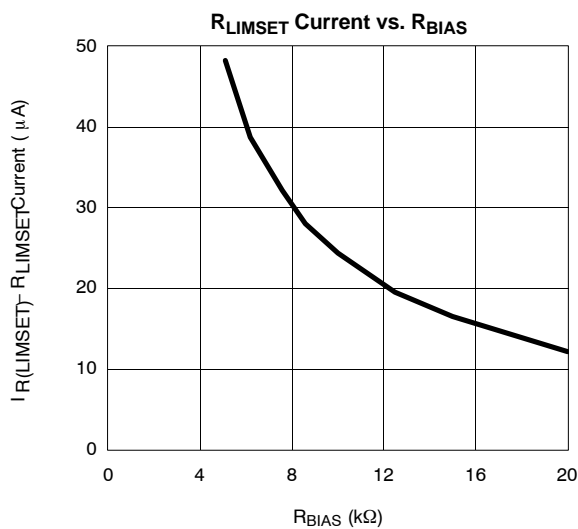
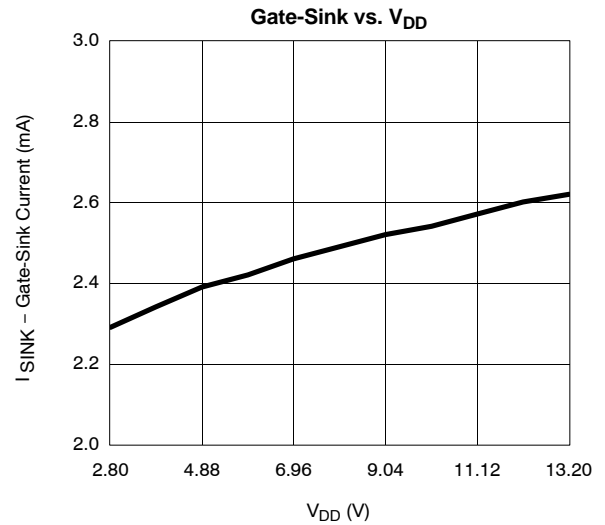
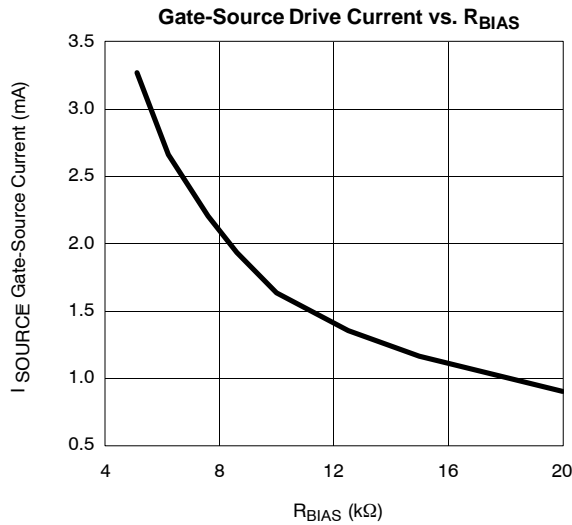
$$\text{Reset delay } t_{\text{RSTD}} \approx 10^4 \times C_{\text{RST}} \quad (6)$$



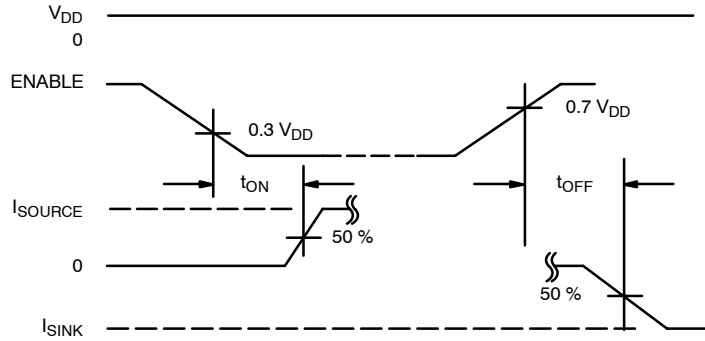
**FIGURE 2.** Typical Operation Under Start-up Condition With An Overcurrent Fault Applied to the Output



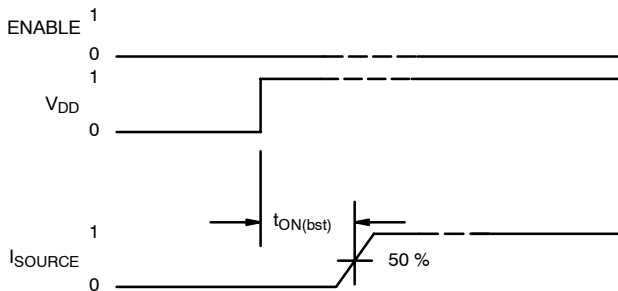
**TYPICAL CHARACTERISTICS (25 °C UNLESS OTHERWISE NOTED)**



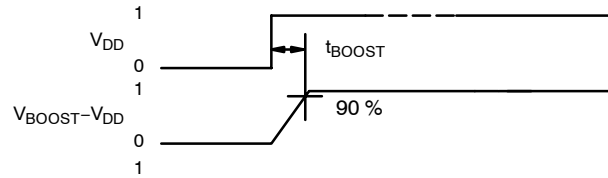
**SWITCHING TIME TEST CIRCUITS**



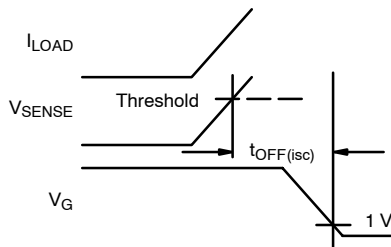
**FIGURE 3. Normal-Mode Operation**



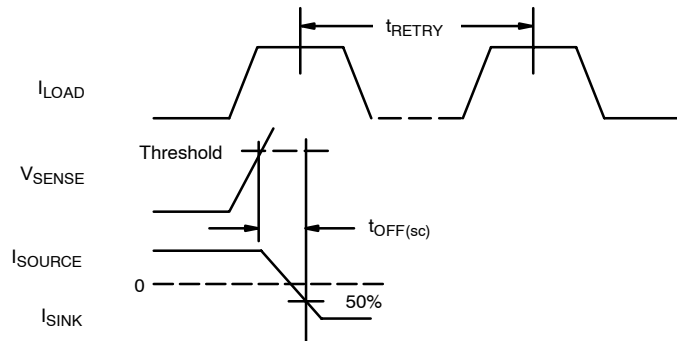
**FIGURE 4. Timing Definition with ENABLE Already On**



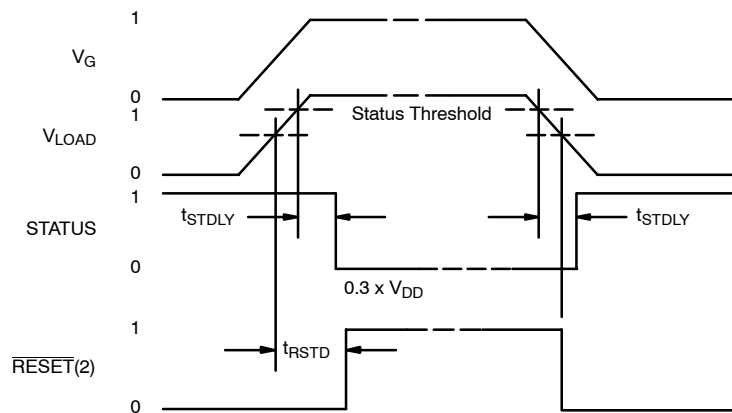
**FIGURE 5. Start of Boost Converter**



**FIGURE 6. First Short Circuit**



**FIGURE 7. Relaxation-Mode Current Limit**



(2) With reset input divider correctly set, monitoring  $V_{LOAD}$

**FIGURE 8. STATUS and RESET**



## Notice

Specifications of the products displayed herein are subject to change without notice. Vishay Intertechnology, Inc., or anyone on its behalf, assumes no responsibility or liability for any errors or inaccuracies.

Information contained herein is intended to provide a product description only. No license, express or implied, by estoppel or otherwise, to any intellectual property rights is granted by this document. Except as provided in Vishay's terms and conditions of sale for such products, Vishay assumes no liability whatsoever, and disclaims any express or implied warranty, relating to sale and/or use of Vishay products including liability or warranties relating to fitness for a particular purpose, merchantability, or infringement of any patent, copyright, or other intellectual property right.

The products shown herein are not designed for use in medical, life-saving, or life-sustaining applications. Customers using or selling these products for use in such applications do so at their own risk and agree to fully indemnify Vishay for any damages resulting from such improper use or sale.