

# 40 PIN SMD ETHERNET 10/100 BASE QUAD PORT TRANSFORMER

## PN:40ST1041A DATA SHEET

954,AX8871, LUCENT 3X54

### A.GENERAL SPECIFICATIONS

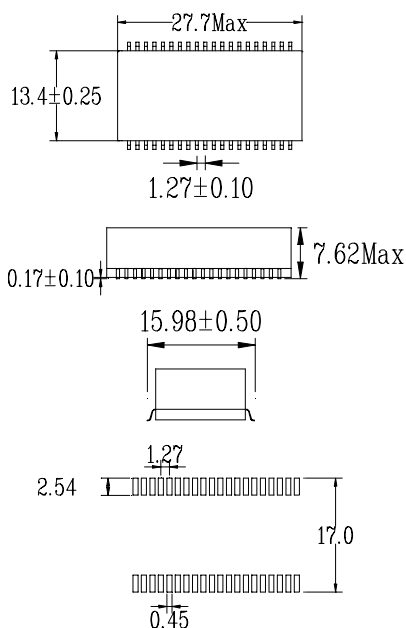
- 1.IEEE 802.3 ETHERNET COMPATIBLE, 100 BASE-TX
- 2.SURFACE MOUNTABLE
- 3.DESIGN FOR MULTIPOINT REPEATER AND ETHERNET SWITCHING HUB APPLICATION
- 4.CUSTOMER DESIGNS AVAILABLE FOR SPECIFIC APPLICATION

### B.ELECTRICAL SPECIFICATIONS@25°C

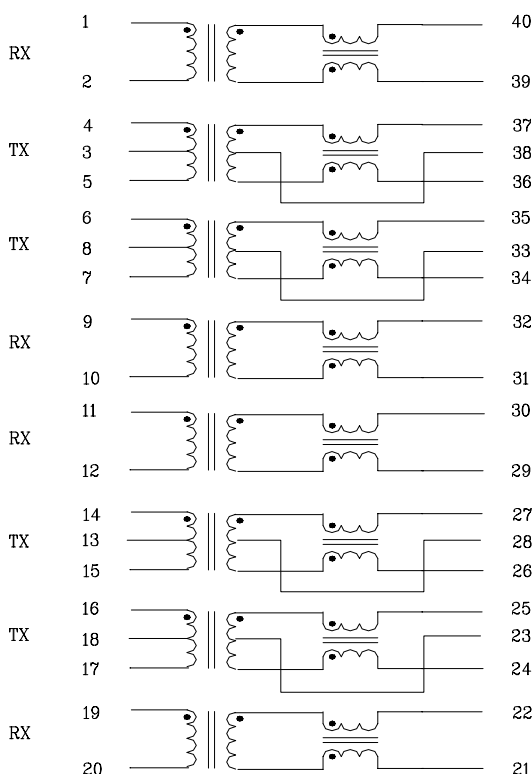
- 1.ISOLATION HI-POT: 1500 Vrms (PRI. /SEC.)
- 2.TURN RATIO (+/- 5%): TX=1CT: 1CT, RX=1:1
- 3.RISE TIME: 0.25 ns TYP
- 4.CW/W: 28 pF Max
- 5.LEAKAGE INDUCTANCE (1MHz): 0.5uH Max
- 6.CMRR (0.1-100 MHz): -37dB MIN
- 7.CROSSTALKS (0.1 TO 100MHz): -38dB Min
- 8.RETURN LOSS (MIN): 5-30 MHz      30-60 MHz      60-80 MHz  
    -16dB                   -12dB                   -10 dB
- 9.OCL(uH,Min):350 uH, at 8mA DC FORM 0-70°C
- 10.DCR: 0.9Ω Max
11. INSERTION LOSS (1MHz-100MHz): -1.15dB MAX



### C.SCHEMATIC & DIMENSIONS & MARKING (UNIT mm):



Suggest pad layout  
TOLERANCE: ±0.25



This datasheet has been downloaded from:

[www.DatasheetCatalog.com](http://www.DatasheetCatalog.com)

Datasheets for electronic components.