

Structure Silicon Monolithic Integrated Circuit

Products Series 4ch PWM Sensorless System Motor Driver for MD

Type **BD6641KUT**

Features

- Operates at low power supply voltage (2.1V min.)
- Power DMOS output with low ON resistance (0.8Ω typ.)
- Incorporates a charge pump circuit for VG boost
- 3-phase full-wave PWM soft switching sensorless driver for spindle
- 3-value control 3-phase driver for sled (Built-in comparator for BEMF voltage detection)
- 2ch, 3-value control H-bridges for focus/tracking

○Absolute maximum ratings (Ta=25°C)

Parameter	Symbol	Limit	Unit
Power supply voltage for control circuit	VCC	7	V
Power supply voltage for driver block	VM	7	V
Power supply voltage for pre-driver block	VG	14	V
Input voltage	VIN	0~VCC	V
Output current	Iomax	*500	mA
Power dissipation	Pd	**1375	mW
Operating temperature range	Topr	-25~+75	°C
Storage temperature range	Tstg	-55~+150	°C
Junction temperature	Tjmax	+150	°C

* Must not exceed Pd or ASO, Tjmax=150°C.

** Reduced by 11mW/°C over Ta=25°C, when mounted on a glass epoxy board (70mm×70 mm×1.6mm).

○Operating conditions (Ta=-25~+75°C)

Parameter	Symbol	Min.	Typ.	Max.	Unit
Power supply voltage	VCC	2.1	2.2	6.5	V
	VM	—	—	3.0	V
	VG	3	6.5	13	V

This product described in this specification is not judged whether it applies to COCOM regulations.

Please confirm in case of export.

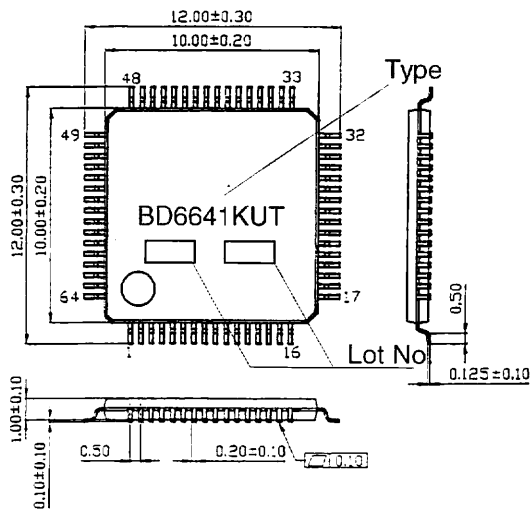
This product is not designed for protection against radioactive rays.

○Electrical characteristics (Unless otherwise specified, Ta=25°C, VCC=2.2V, VM=1.0V, fin=176kHz)

Parameter	Symbol	Limit			Unit	Conditions
		Min.	Typ.	Max.		
~Spindle (3-phase full-wave sensorless driver)~						
Position detection comparator offset	VSOFS	-10	-	10	mV	
Position detection comparator input range	VSD	0	-	VCC-1.0	V	
Position detection comparator input current H	ISH	-	-	2	μA	input=VCC
Position detection comparator input current L	ISL	-2	-	-	μA	input=0V
SLOPE charge current	ISLO	-12.8	-9.8	-6.8	μA	
SLOPE discharge current	ISLI	6.5	9.4	12.5	μA	
SLOPE clamp H level	VSLH	0.5	0.8	1.1	V	
SLOPE clamp L level	VSLL	0.3	0.46	0.6	V	
OSC oscillating frequency	fOSC	70	100	130	kHz	OSC=200pF ISET=50kΩ
OSC charge current	IOSCO	-12.5	-9.65	-6.5	μA	
OSC discharge current	IOSCI	6.5	9.56	12.5	μA	
OSC H level	VOSCH	0.5	0.75	1.0	V	
OSC L level	VOSCL	0.35	0.53	0.70	V	
ISET voltage	VSET	350	505	650	mV	ISET=50kΩ
PWM input frequency	fPWM	60	132	200	kHz	
PWM H level input voltage	VPWH	VCC-0.4	-	VCC	V	
PWM L level input voltage	VPWL	0	-	0.4	V	
PWM H level input current	IPWH	-	-	1	μA	PWM=VCC
PWM L level input current	IPWL	-1	-	-	μA	PWM=0V
BLAKE H level input voltage	VBKH	VCC-0.4	-	VCC	V	Brake ON(BD6641KUT) Brake OFF(BD6643KN)
BLAKE L level input voltage	VBKL	0	-	0.4	V	Brake OFF(BD6641KUT) Brake ON(BD6643KN)
BLAKE H level input current	IBKH	-	-	1	μA	BRAKE=VCC
BLAKE L level input current	IBKL	-1	-	-	μA	BRAKE=0V
FG H level output voltage	VFGH	VCC-0.4	-	VCC	V	Io=-500μA
FG L level output voltage	VFGL	0	-	0.4	V	Io=500μA
~Sled, focus, tracking (stepping, H-bridge × 2ch)~						
H level input voltage	VINH	VCC-0.4	-	VCC	V	
L level input voltage	VINL	0	-	0.4	V	
H level input current	IINH	-	-	1	μA	VIN=VCC
L level input current	IINL	-1	-	-	μA	VIN=0V
I/O propagation delay time (H-bridge)	TRISE	-	0.2	1	μs	
	TFALL	-	0.1	0.7	μs	
Short pulse input response (H-bridge)	tmin	120	-	-	ns	Input pulse width 200 ns
~Sled, position detection comparator~						
Position detection comparator offset	VAOFS	-10	-	10	mV	
Position detection comparator input range	VAD	0	-	VCC-1.0	V	
Position detection comparator input current H	IAH	-	-	2	μA	
Position detection comparator input current L	IAL	-2	-	-	μA	
Position detection comparator output voltage L	VAOL	-	0.2	0.3	V	Io=300μA
Position detection comparator output pull-up resistance	ROA	10	20	30	kΩ	

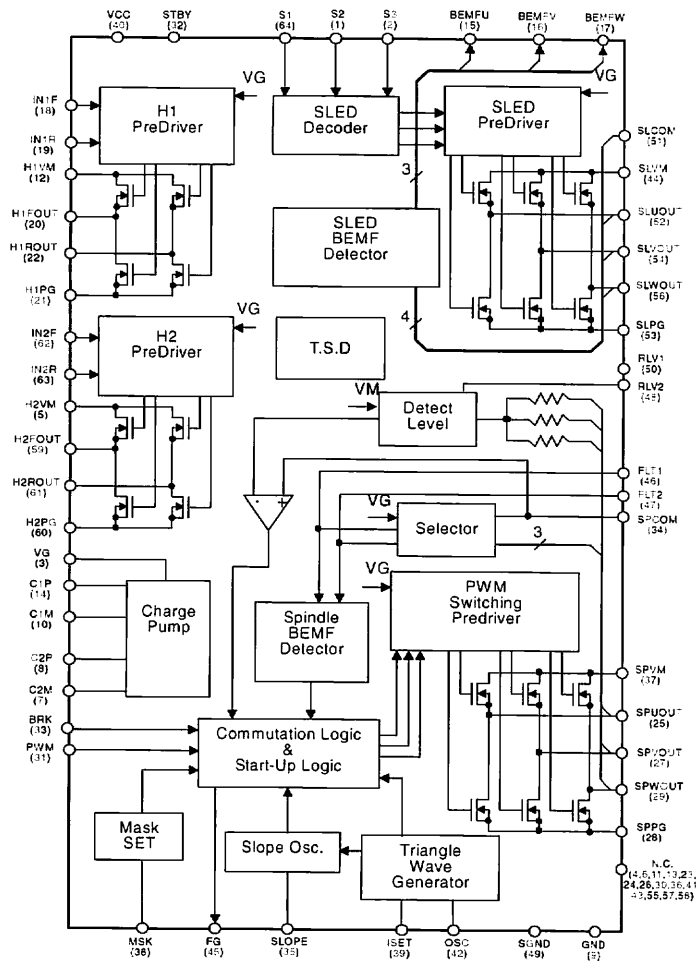
©This product is not designed for protection against radioactive rays.

○ Package outlines



TQFP64U outlines (Unit : mm)

○ Block diagram



○ Pin No./Pin name

NO.	Pin name	NO.	Pin name
1	S2	33	BRK
2	S3	34	SPCOM
3	VG	35	SLOPE
4	N.C	36	N.C
5	H2VM	37	SPVM
6	N.C	38	MSK
7	C2M	39	ISET
8	C2P	40	VCC
9	GND	41	N.C
10	C1M	42	OSC
11	N.C	43	N.C
12	H1VM	44	SLVM
13	N.C	45	FG
14	C1P	46	FLT1
15	BEMFU	47	FLT2
16	BEMFV	48	RLV2
17	BEMFW	49	SGND
18	IN1F	50	RLV1
19	IN1R	51	SLCOM
20	H1FOUT	52	SLUOUT
21	H1PG	53	SLPG
22	H1ROUT	54	SLVOUT
23	N.C	55	N.C
24	N.C	56	SLWOUT
25	SPUOUT	57	N.C
26	N.C	58	N.C
27	SPVOUT	59	H2FOUT
28	SPPG	60	H2PG
29	SPWOUT	61	H2ROUT
30	N.C	62	IN2F
31	PWM	63	IN2R
32	STBY	64	S1

○Notes on the use

- (1) Absolute maximum ratings
If the input voltage or the operating temperature range exceeds absolute maximum ratings, IC may be damaged. No destruction mode (e.g., short-circuiting or open) can be specified in that case. If such special mode as will exceed absolute maximum ratings is assumed, take the physical safety measures, such as a fuse.
- (2) Power supply lines
The regenerated current by BEMF of the motor will return. Therefore, take measures, such as the insertion of a capacitor between the power supply and GND as the pass of the regenerated current. Determine the capacitance in full consideration of all the characteristics of the electrolytic capacitor, because the electrolytic capacitor may loose some capacitance at low temperatures.
- (3) Ground potential
Ensure a minimum GND pin potential in all operating conditions.
- (4) Design for heat
Use the design for heat that allows for a sufficient margin in light of the power dissipation (Pd) in actual using conditions.
- (5) Operation in strong magnetic field
Use caution when using the IC in the strong magnetic field as doing so may cause the IC to malfunction.
- (6) ASO
When using the IC, make settings so that the output transistors for the motor will not be used under conditions in excess of the absolute maximum ratings and ASO.
- (7) Thermal shutdown circuit
This IC incorporates thermal shutdown circuit(TSD circuit).
When the chip temperature becomes the one shown in below, TSD circuit operates and makes the coil output to motor open. It is designed to shut the IC off from runaway thermal operation. It is not designed to protect the IC or guarantee its operation. Do not continue to use the IC after operating this circuit or use the IC in an environment where the operation of this circuit is assumed.

TSD ON temperature[°C] (typ.)	Hysteresis temperature [°C] (typ.)
175	20

- (8) Ground wiring pattern
When having both small signal and large current GND, it is recommended to isolate the two GND patterns, placing a single ground point at the application's reference point so that the pattern wiring resistance and voltage variations caused by large currents do not cause voltage variations of the small signal GND. Be careful not to change the GND wiring pattern of any external parts, either.

Notes

- No technical content pages of this document may be reproduced in any form or transmitted by any means without prior permission of ROHM CO.,LTD.
- The contents described herein are subject to change without notice. The specifications for the product described in this document are for reference only. Upon actual use, therefore, please request that specifications to be separately delivered.
- Application circuit diagrams and circuit constants contained herein are shown as examples of standard use and operation. Please pay careful attention to the peripheral conditions when designing circuits and deciding upon circuit constants in the set.
- Any data, including, but not limited to application circuit diagrams information, described herein are intended only as illustrations of such devices and not as the specifications for such devices. ROHM CO.,LTD. disclaims any warranty that any use of such devices shall be free from infringement of any third party's intellectual property rights or other proprietary rights, and further, assumes no liability of whatsoever nature in the event of any such infringement, or arising from or connected with or related to the use of such devices.
- Upon the sale of any such devices, other than for buyer's right to use such devices itself, resell or otherwise dispose of the same, no express or implied right or license to practice or commercially exploit any intellectual property rights or other proprietary rights owned or controlled by
- ROHM CO., LTD. is granted to any such buyer.
- Products listed in this document are no antiradiation design.

The products listed in this document are designed to be used with ordinary electronic equipment or devices (such as audio visual equipment, office-automation equipment, communications devices, electrical appliances and electronic toys).

Should you intend to use these products with equipment or devices which require an extremely high level of reliability and the malfunction of which would directly endanger human life (such as medical instruments, transportation equipment, aerospace machinery, nuclear-reactor controllers, fuel controllers and other safety devices), please be sure to consult with our sales representative in advance.

About Export Control Order in Japan

Products described herein are the objects of controlled goods in Annex 1 (Item 16) of Export Trade Control Order in Japan.

In case of export from Japan, please confirm if it applies to "objective" criteria or an "informed" (by MITI clause) on the basis of "catch all controls for Non-Proliferation of Weapons of Mass Destruction.

Thank you for your accessing to ROHM product informations.
More detail product informations and catalogs are available,
please contact your nearest sales office.

Please contact our sales offices for details ;

U.S.A / San Diego	TEL : +1(858)625-3630	FAX : +1(858)625-3670
Atlanta	TEL : +1(770)754-5972	FAX : +1(770)754-0691
Dallas	TEL : +1(972)312-8818	FAX : +1(972)312-0330
Germany / Dusseldorf	TEL : +49(2154)9210	FAX : +49(2154)921400
United Kingdom / London	TEL : +44(1)908-282-666	FAX : +44(1)908-282-528
France / Paris	TEL : +33(0)1 56 97 30 60	FAX : +33(0) 1 56 97 30 80
China / Hong Kong	TEL : +852(2)740-6262	FAX : +852(2)375-8971
Shanghai	TEL : +86(21)6279-2727	FAX : +86(21)6247-2066
Dilian	TEL : +86(411)8230-8549	FAX : +86(411)8230-8537
Beijing	TEL : +86(10)8525-2483	FAX : +86(10)8525-2489
Taiwan / Taipei	TEL : +866(2)2500-6956	FAX : +866(2)2503-2869
Korea / Seoul	TEL : +82(2)8182-700	FAX : +82(2)8182-715
Singapore	TEL : +65-6332-2322	FAX : +65-6332-5662
Malaysia / Kuala Lumpur	TEL : +60(3)7958-8355	FAX : +60(3)7958-8377
Philippines / Manila	TEL : +63(2)807-6872	FAX : +63(2)809-1422
Thailand / Bangkok	TEL : +66(2)254-4890	FAX : +66(2)256-6334

Japan /
(Internal Sales)

Tokyo	2-1-1, Yaesu, Chuo-ku, Tokyo 104-0082	TEL : +81(3)5203-0321	FAX : +81(3)5203-0300
Yokohama	2-4-8, Shin Yokohama, Kohoku-ku, Yokohama, Kanagawa 222-8575	TEL : +81(45)476-2131	FAX : +81(45)476-2128
Nagoya	Dainagayo Building 9F 3-28-12, Meieki, Nakamura-ku, Nagoya, Aichi 450-0002	TEL : +81(52)581-8521	FAX : +81(52)561-2173
Kyoto	579-32 Higashi Shiokouji-cho, Karasuma Nishi-iru, Shiokoujidori, Shimogyo-ku, Kyoto 600-8216	TEL : +81(75)311-2121	FAX : +81(75)314-6559

(Contact address for overseas customers in Japan)

Yokohama	TEL : +81(45)476-9270	FAX : +81(045)476-9271
----------	-----------------------	------------------------